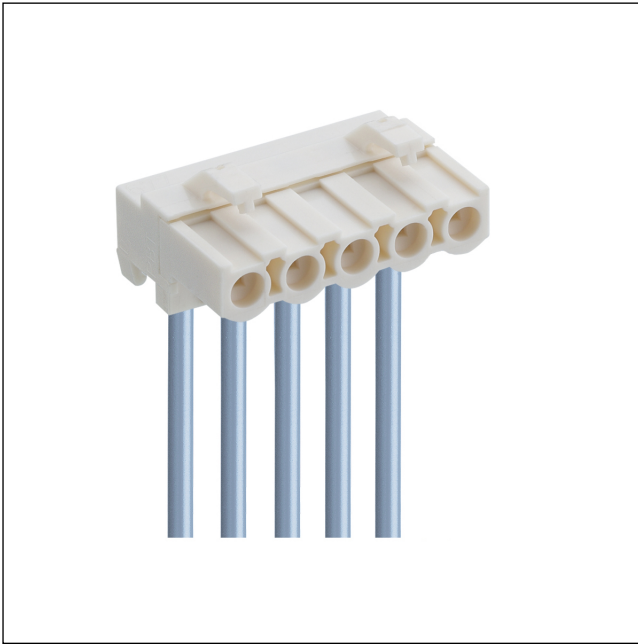


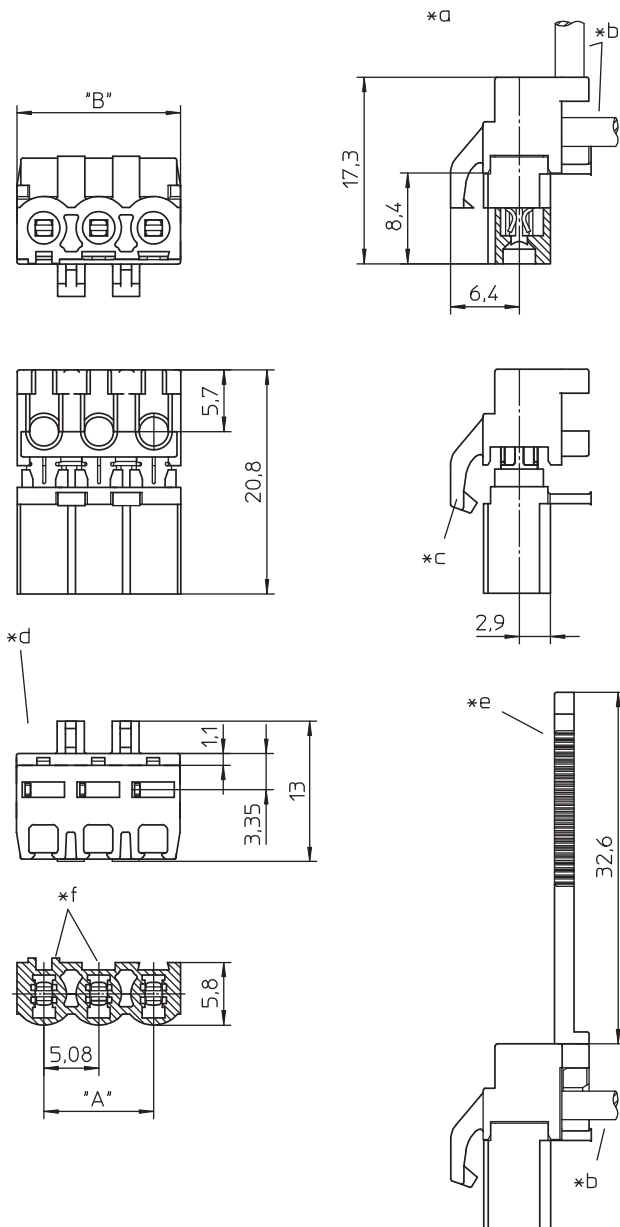
67 6770

Pluggable terminal blocks on pin headers, pitch 5.08 mm



Pluggable terminal block, insulation displacement technique (IDT), with locking and test hole, cable departure 90° or 180° to plugging direction, stringable without loss of pitch

67 6770



Environmental conditions

Temperature range -25 °C/+100 °C

Materials

Insulating body PBT, V-0 according to UL94
Contact spring CuSn, tin-plated

Mechanical data

Insertion force/contact ≤ 5 N
Withdrawal force/contact ≥ 2 N

Connectable conductors for IDT area

Construction discrete conductor, notched flat cable 5.08 mm
Section min. 0,20 mm²
Section max. 0,75 mm²
Insulation diameter ≤ 2,5 mm
Approved cables at www.lumberg.com

Electrical data (at T_{amb} 20 °C)

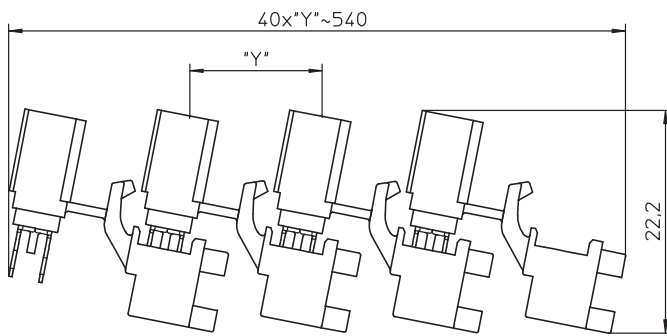
Contact resistance ≤ 5 mΩ
Rated current 6 A (0,75 mm², T_v 70 °C)
Rated voltage 250 V AC
Material group IIIa (CTI ≥ 250)
Overvoltage category III (2,5 kV)
Creepage distance ≥ 3,2 mm
Clearance ≥ 3,2 mm
Insulation resistance > 10 GΩ

Associated products

Counterparts
☞ ME 010-508 ☞ ME 020-508 ☞ ME 030-508
☞ ME 040-508

67

6770



- *a terminated connector
- *b cable departure 90° or 180°
- *c locking
- *d test hole
- *f keying

67

6770

Designation	Pole Number	PU (Pieces)	MDQ (Pieces)	Dimensions	
				A (mm)	B (mm)
6770 02	2	2640	2640	5.08	10.06
6770 03	3	1680	1680	10.16	15.14
6770 04	4	1200	1200	15.24	20.22
6770 05	5	960	960	20.32	25.30
6770 06	6	720	720	25.40	30.38
6770 07	7	720	720	30.48	35.46

Packaging:

chained, in a cardboard box