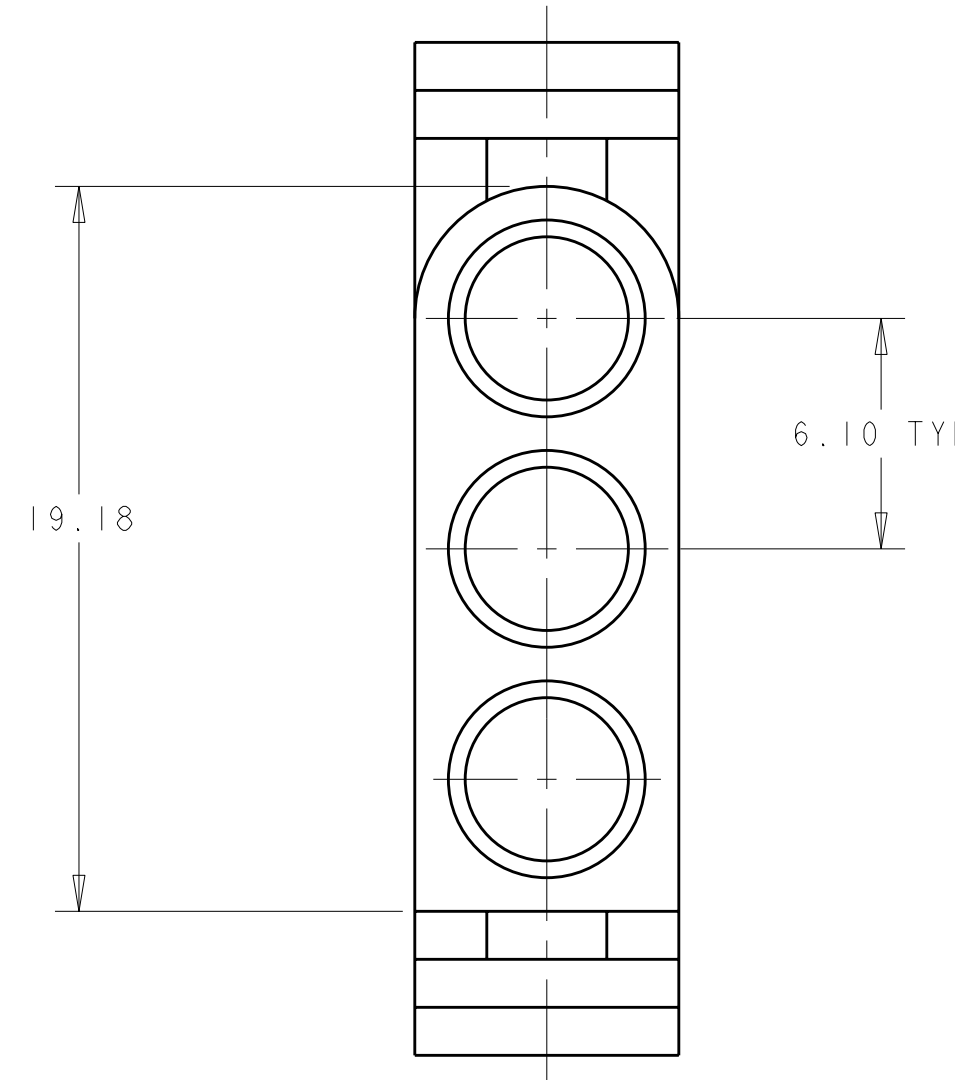
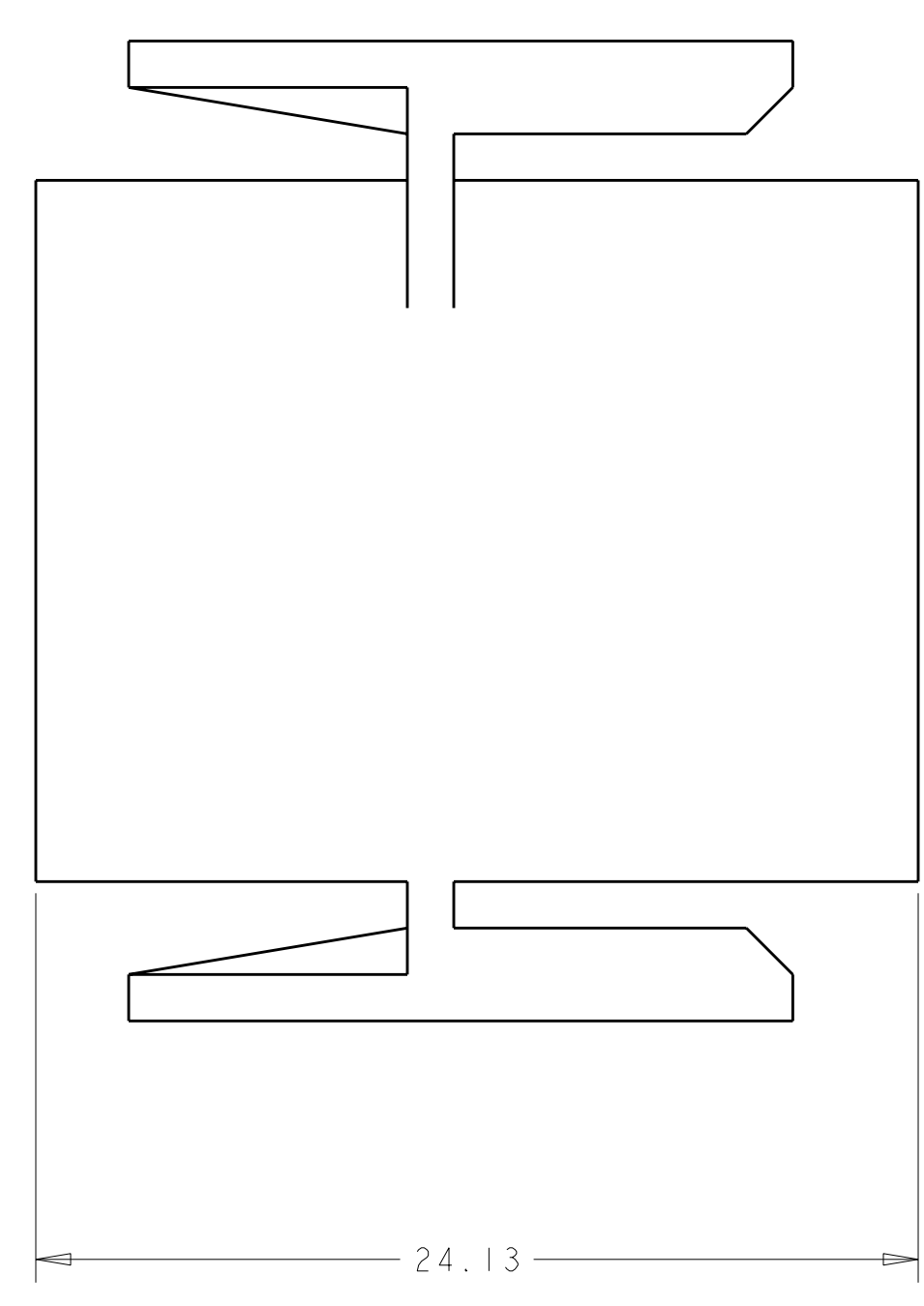
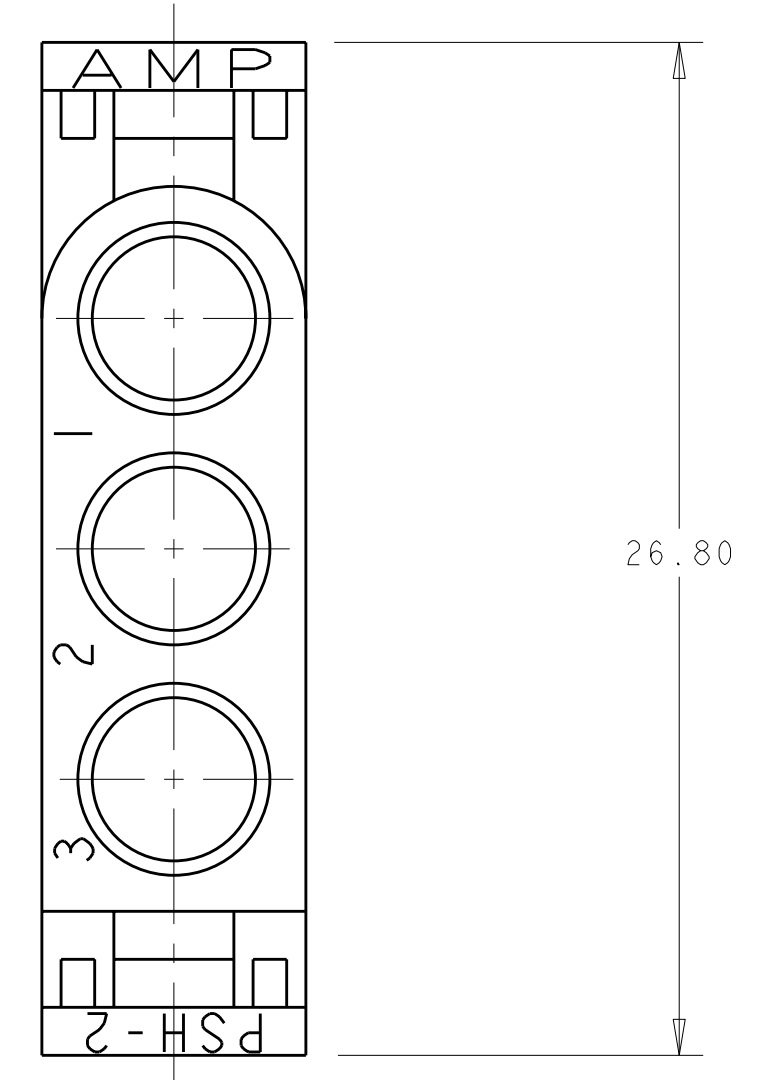
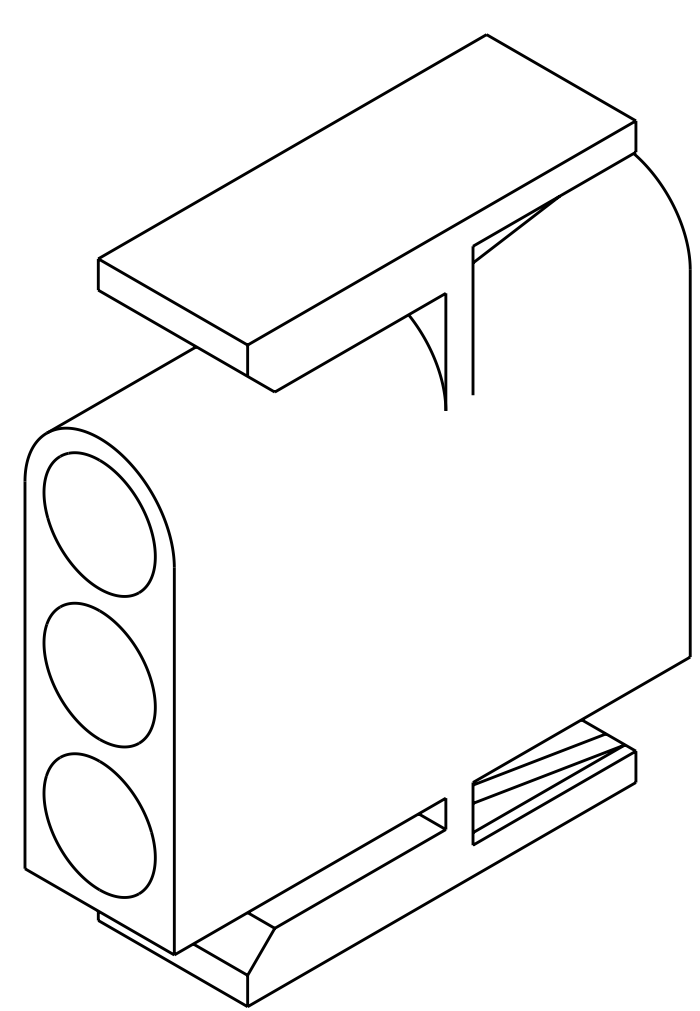


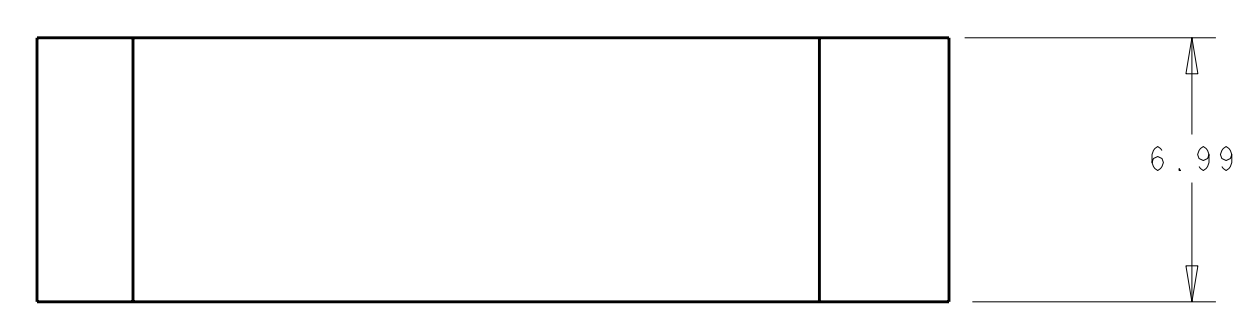
LOC	DIST	REVISIONS			
CM	00	REV	DATE	DWN	APVD
		M1	REVISD PER ECO-11-004917	12APR2011	RK HMR



1. TO BE USED WITH .140 SERIES SOCKETS.
2. TO BE USED WITH CAP 350347.
3. FOR FOREIGN PRODUCTION ONLY.



3 DIMENSIONAL MODEL
NTS



6.99	.275	-	-
6.10	.240	26.80	1.055
3.56	.140	24.13	.950
0.13	.005	19.18	.755
MM	IN	MM	IN



THIS DRAWING IS A CONTROLLED DOCUMENT.

DIMENSIONS:	TOLERANCES UNLESS OTHERWISE SPECIFIED:	DWN R. WHITAKER 05DEC2002	CHK D. COLEY 05DEC2002	APVD D. COLEY 05DEC2002	NAME
mm	0 PLC ± .13 1 PLC ± .13 2 PLC ± .13 3 PLC ± .13 4 PLC ± .13	PRODUCT SPEC	APPLICATION SPEC	WEIGHT	PLUG, 3 CIRCUIT, .140 MATE-N-LOK
ANGLES	FINISH	MATERIAL	FINISH	SCALE	SIZE CAGE CODE DRAWING NO RESTRICTED TO
		NYLON, UL 94V-0, NATURAL		5:1	A100779C=350346
				SHEET 1 OF 1	REV. M

CUSTOMER DRAWING

COLOR	MATERIAL	PART NUMBER
RED	NYLON, UL 94V-2	1-350346-2
NATURAL	NYLON, UL 94V-2	1-350346-0