

PRELIMINARY DATA SHEET



MOS INTEGRATED CIRCUIT
μPD16306

HIGH VOLTAGE CMOS DRIVER FOR PDP,EL,VFD

DESCRIPTION

μPD16306 is high voltage driver for PDP, EL or VFD graphic panel structured by CMOS process. Logic power supply is 5 V connecting direct to control logic. Maximum output voltage is 80 V and maximum current is 50 mA.

FEATURES

- 80 V Output Voltage Swing Capability
- 50 mA Output Sink and Source Current Capability
- 64 bit Shift-register and Latch
- High Speed Serial DATA Transferring (f_{max} - 20 MHz min.)
- Low Standby Current 100 μA

ORDERING INFORMATION

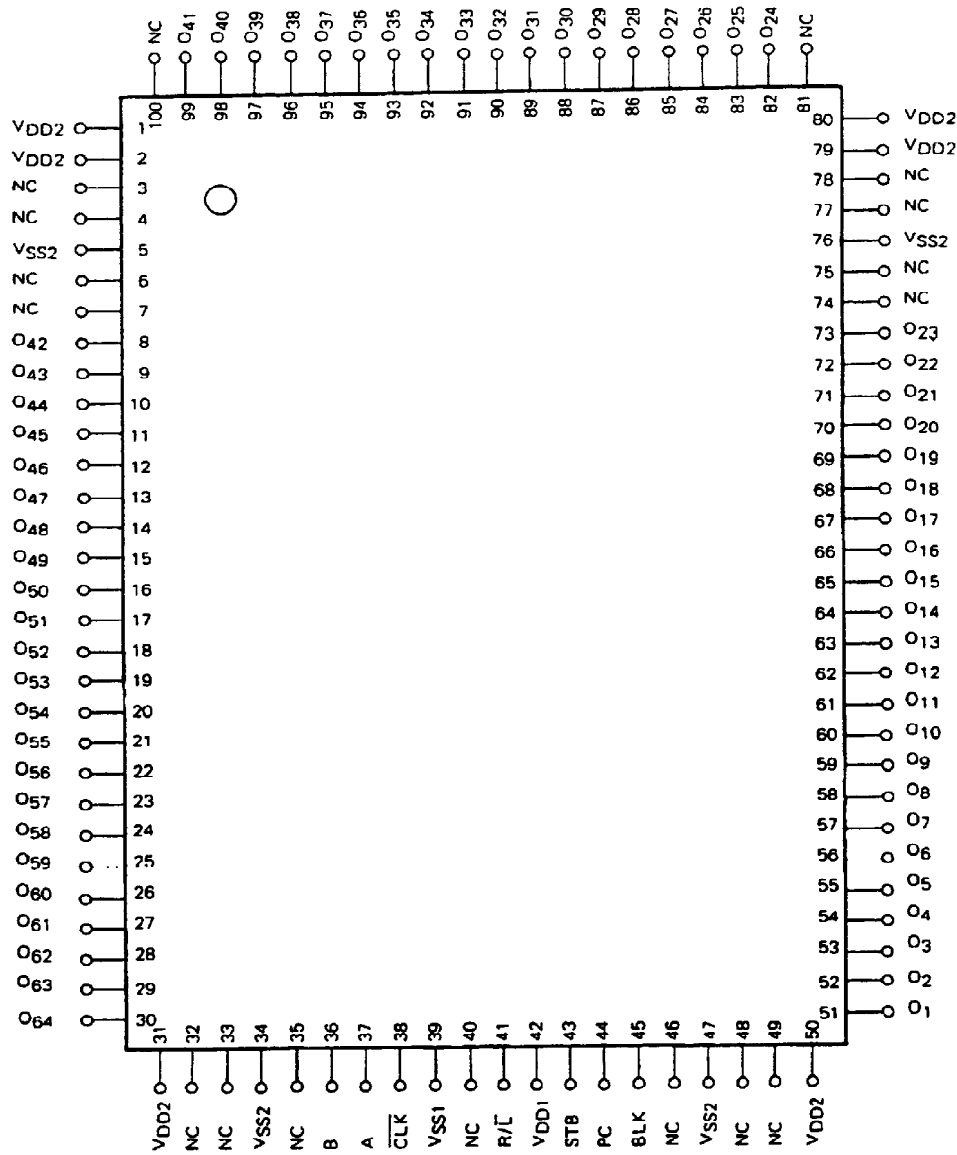
PART No.	Package
μPD16306GF-38A	100 pin Plastic QFP (14 x 20)

The information in this document is subject to change without notice.

NEC

μPD16306

PIN CONNECTION DIAGRAM (Top View)



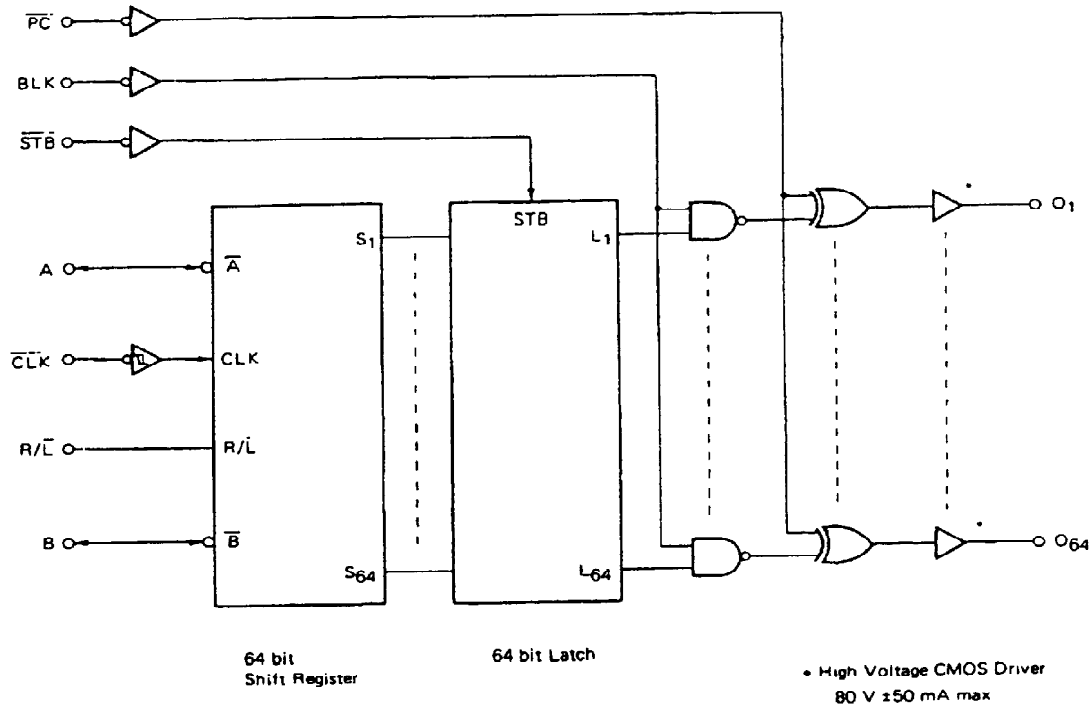
Note:
The 40 pin (NC) should be open.
All the power supply terminals should be used.
VSS1 and VSS2 should be respectively connected with themselves outside.

51

NEC

μ PD16306

BLOCK DIAGRAM



52

NEC

μPD16306

PIN CONFIGURATION

SYMBOL	PIN NAME	PIN No.	FUNCTION
\overline{PC}	Polarity Change input	44	All driver outputs' level are inverted while PC is L.
BLK	Plank input	45	All driver outputs are H while BLK is H and PC is H.
\overline{STB}	Latch Strobe input	43	Latch's status is data through while STB is L.
A	Right Data input/output	37	R/L = H : A = IN, B = OUT R/L = L : A = OUT, B = IN
B	Left Data input/output	36	
\overline{CLK}	Clock input	38	Data of shift-register is shifted while CLK is going H to L. (Negative edge is active.)
R/L	Shift Direction Control input	41	H : Right Shift Mode A → O ₁ ...O ₆₄ → B L : Left Shift Mode B → O ₆₄ ...O ₁ → A
O ₁ —O ₆₄	Driver Outputs	8—30, 51—73 82—99	High voltage output 80 V, 50 mA
V _{DD1}	Logic Power Supply	42	5 V ± 10 %
V _{DD2}	Driver Power Supply	1, 2, 31, 50, 79, 80	10 — 70 V
V _{SS1}	Ground (for Logic)	39	
V _{SS2}	Ground (for Driver)	5, 34, 47, 76	
NC	No Connect	3, 4, 6, 7, 32, 33, 35, 40, 46, 48, 49, 74, 75, 77, 78, 81, 100	No. 40 pin should be open.

NEC

μPD16306

TRUTH TABLE 1 (Shift-Register part)

INPUT		IN/OUT		SHIFT-REGISTER
R/L	CLK	A	B	
H	↓	IN	OUT	DATA is shifted.
H	H or L	IN	OUT	No Change
L	↓	OUT	IN	DATA is shifted.
L	H or L	OUT	IN	No Change

TRUTH TABLE 2 (Latch, Driver part)

DATA	STB	BLK	PC	DRIVER OUTPUT
X	X	H	H	ALL H
X	X	H	L	ALL L
H	L	L	H	H
H	L	L	L	L
L	L	L	H	L
L	L	L	L	H
X	H	L	H	Latch's data output
X	H	L	L	Latch's data output (inverting)

DATA are contents of shift register. (S₁-S₆₄)

NEC

μPD16306

ABSOLUTE MAXIMUM RATINGS ($T_a = 25^\circ\text{C}$, $V_{SS} = 0\text{V}$)

Logic Power Supply	V_{DD1}	-0.5 to +7.0	V
Input Voltage	V_I	-0.5 to $V_{DD1} + 0.5$	V
Logic Output Voltage	V_{O1}	-0.5 to $V_{DD1} + 0.5$	V
Driver Power Supply	V_{DD2}	-0.5 to 80	V
Driver Output Voltage	V_{O2}	-0.5 to $V_{DD2} + 0.5$	V
Driver Maximum Current	I_{O2}	± 50	mA
Power Dissipation/Package	P_D	1000	mW
Operating Temperature	T_{Op1}	-40 to +85	$^\circ\text{C}$
Storage Temperature	T_{Stg}	-65 to +150	$^\circ\text{C}$

RECOMMENDED OPERATING CONDITIONS ($T_a = 25^\circ\text{C}$, $V_{SS} = 0\text{V}$)

ITEM	SYMBOL	MIN.	TYP.	MAX.	UNIT
Logic Power Supply	V_{DD1}	4.5	5	5.5	V
High Level Input Voltage	V_{IH}	$0.7 \cdot V_{DD1}$		V_{DD1}	V
Low Level Input Voltage	V_{IL}	0		$0.2 \cdot V_{DD1}$	V
Driver Power Supply	V_{DD2}	10		70	V
Driver Output Current	I_{OL2}			+40	mA
	I_{OH2}			-40	mA

55

NEC

μ PD16306

DC CHARACTERISTICS

($T_s = 25^\circ\text{C}$, $V_{DD1} = 4.5\text{ V to } 5.5\text{ V}$, $V_{DD2} = 70\text{ V}$, $V_{SS} = 0\text{ V}$)

ITEM	SYMBOL	MIN.	TYP.	MAX.	UNIT	CONDITIONS
High Level Output Voltage	V_{OH1}	$0.9 \cdot V_{DD1}$			V	Logic, $I_{OH1} = -1\text{ mA}$
Low Level Output Voltage	V_{OL1}			$0.1 \cdot V_{DD1}$	V	Logic, $I_{OL1} = 1\text{ mA}$
High Level Output Voltage	V_{OH21}	69			V	O_1-O_{64} , $I_{OH2} = -1\text{ mA}$
	V_{OH22}	65			V	O_1-O_{64} , $I_{OH2} = -10\text{ mA}$
Low Level Output Voltage	V_{OL21}			1	V	O_1-O_{64} , $I_{OL2} = 5\text{ mA}$
	V_{OL22}			10	V	O_1-O_{64} , $I_{OL2} = 40\text{ mA}$
High Level Input Current	I_{IH}			1	μA	$V_i = V_{DD1}$
Low Level Input Current	I_{iL}			-1	μA	$V_i = 0\text{ V}$
High Level Input Voltage	V_{IH}	$0.7 \cdot V_{DD1}$			V	
Low Level Input Voltage	V_{iL}			$0.2 \cdot V_{DD1}$	V	
Stand by Current	I_{DD1}			1.0	mA	for V_{DD1} , $T_s = -40\text{ to } +85^\circ\text{C}$
	I_{DD1}			10	μA	for V_{DD1} , $T_s = 25^\circ\text{C}$
	I_{DD2}			1.0	mA	for V_{DD2} , $T_s = -40\text{ to } +85^\circ\text{C}$
	I_{DD2}			100	μA	for V_{DD2} , $T_s = 25^\circ\text{C}$

AC CHARACTERISTICS

($T_s = 25^\circ\text{C}$, $V_{DD1} = 5\text{ V}$, $V_{DD2} = 70\text{ V}$, Logic $C_L = 15\text{ pF}$

Driver $C_L = 50\text{ pF}$)

ITEM	SYMBOL	MIN.	TYP.	MAX.	UNIT	CONDITIONS
Delay Time	t_{PHL1}			50	ns	$\overline{\text{CLK}} \rightarrow \text{A/B}$
	t_{PLH1}			50	ns	
	t_{PHL2}			160	ns	$\overline{\text{CLK}} \rightarrow O_1-O_{64}$
	t_{PLH2}			160	ns	
	t_{PHL3}			150	ns	$\overline{\text{STB}} \rightarrow O_1-O_{64}$
	t_{PLH3}			150	ns	
	t_{PHL4}			145	ns	$\overline{\text{BLK}} \rightarrow O_1-O_{64}$
	t_{PLH4}			145	ns	
	t_{PHL5}			140	ns	$\overline{\text{PC}} \rightarrow O_1-O_{64}$
	t_{PLH5}			140	ns	
Rise Time	t_{rLH}			70	ns	O_1-O_{64}
Fall Time	t_{fHL}			70	ns	O_1-O_{64}
Maximum Frequency	f_{max}	20	30		MHz	Duty=50%, for CLK
Input Capacitance	C_i		10	15	pF	

56

26

NEC

μPD16306

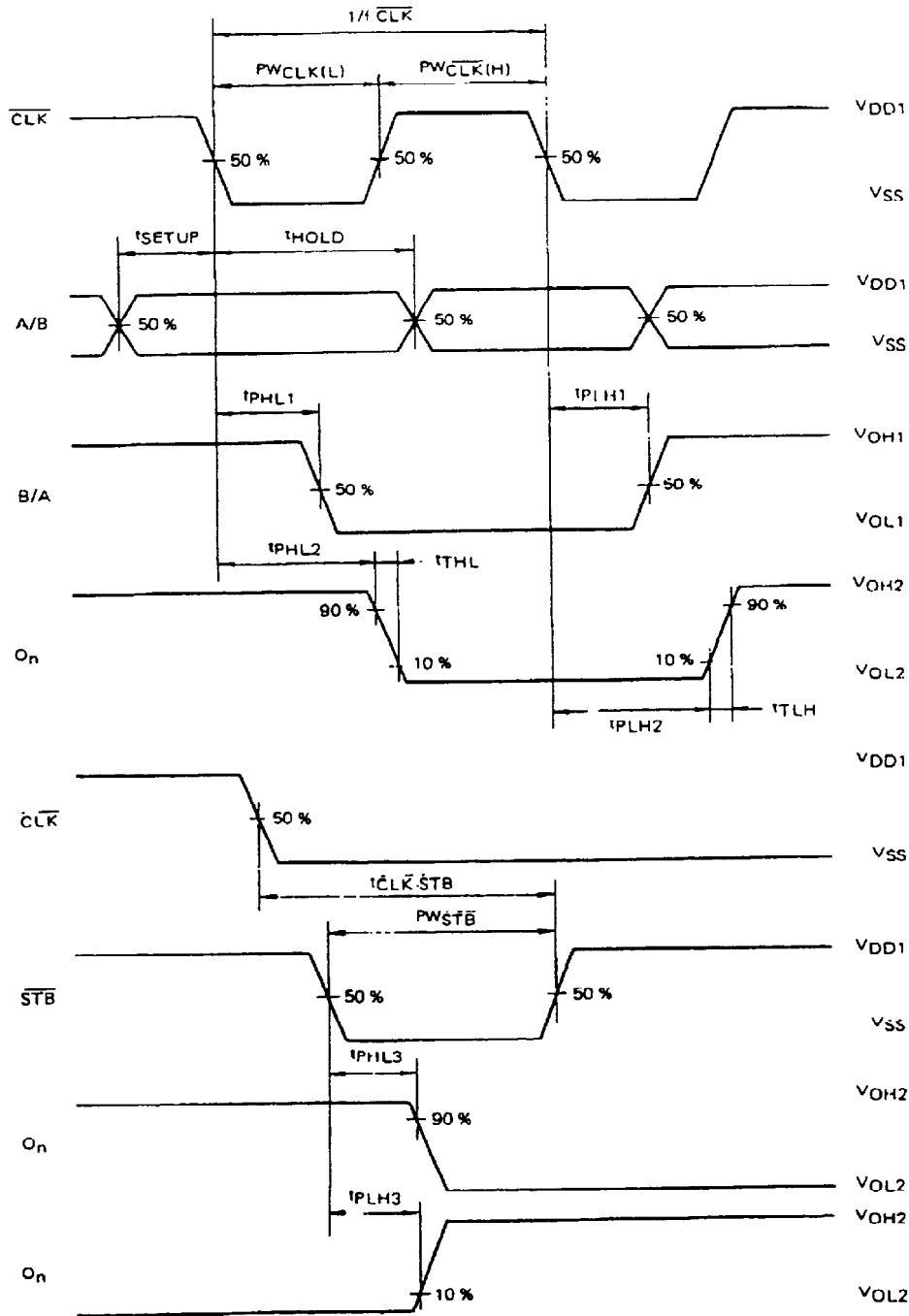
AC TIMING REQUIREMENT ($T_a = -40$ to 80 °C, $V_{DD1} = 4.5$ to 5.5 V)

ITEM	SYMBOL	MIN.	TYP.	MAX.	UNIT	CONDITIONS
Clock Pulse Width	$PW_{\overline{CLK}}$	20			ns	
Strobe Pulse Width	$PW_{\overline{STB}}$	20			ns	
Blank Pulse Width	$PW_{\overline{BLK}}$	200			ns	
Polarity Change Pulse Width	$PW_{\overline{PC}}$	200			ns	
Data Setup Time	t_{SETUP}	10			ns	
Data Hold Time	t_{HOLD}	10			ns	
Setup Time	$t_{CLK-STB}$	50			ns	for CLK ↓ to STB ↓

NEC

μPD16306

AC CHARACTERISTICS WAVEFORM

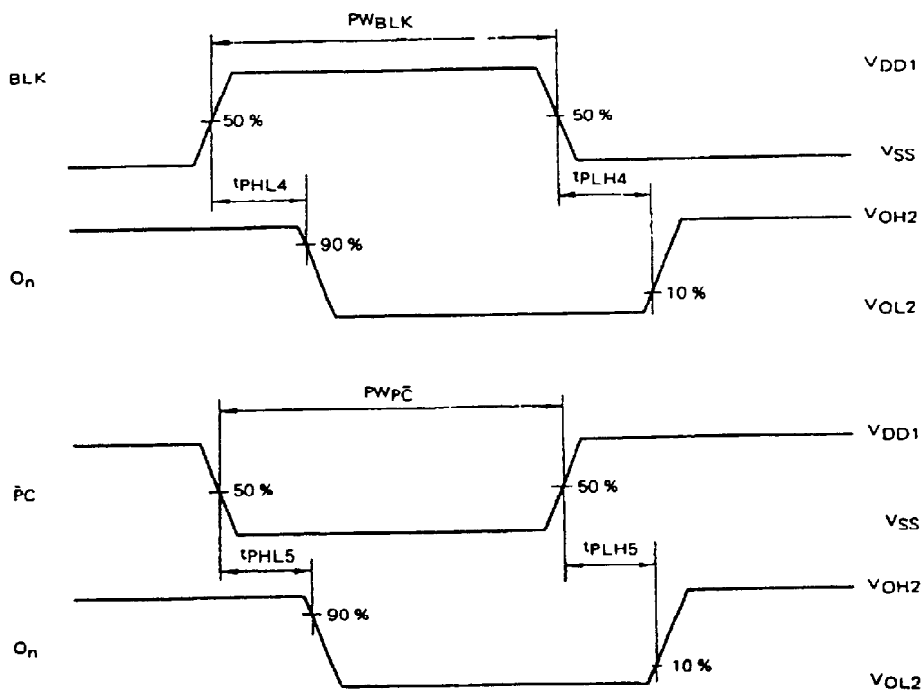


58

2

NEC

μ PD16306

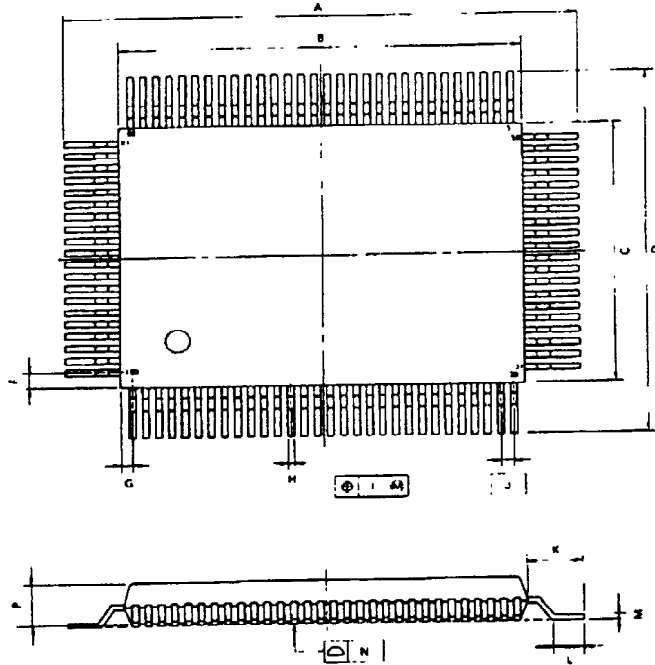


NEC

μPD16306

PACKAGE DIMENSIONS

100 Pin Plastic QFP (14 x 20) (unit: mm)



detail of lead end

P100GF-65-3BA-1

NOTE

Each lead centerline is located within 0.15 mm (0.006 inch) of its true position (T.P.) at maximum material condition.

ITEM	MILLIMETERS	INCHES
A	23.6 ^{+0.4}	0.929 ^{+0.016}
B	20.0 ^{+0.2}	0.795 ^{+0.008}
C	14.0 ^{+0.2}	0.551 ^{+0.008}
D	17.6 ^{+0.4}	0.693 ^{+0.016}
F	0.8	0.031
G	0.6	0.024
H	0.30 ^{+0.10}	0.012 ^{+0.004}
I	0.15	0.006
J	0.65 (T.P.)	0.026 (T.P.)
K	1.8 ^{+0.2}	0.071 ^{+0.008}
L	0.8 ^{+0.2}	0.031 ^{+0.008}
M	0.15 ^{+0.05}	0.006 ^{+0.002}
N	0.15	0.006
P	2.7	0.106
O	0.1 ^{+0.1}	0.004 ^{+0.004}
R	0.1 ^{+0.1}	0.004 ^{+0.004}
S	3.0 MAX.	0.119 MAX.

60

2