

1.5A STEP-DOWN/STEP-UP/INVERTING DC-DC CONVERTER**AZ34063A****General Description**

The AZ34063A is a monolithic switching regulator control circuit which contains the primary functions required for DC-DC converters. This device consists of internal temperature compensated reference, voltage comparator, controlled duty cycle oscillator with active current limit circuit, driver and high current output switch.

The AZ34063A is specifically designed as a general DC-DC converter to be used in Step-Down, Step-Up and Voltage-Inverting applications with a minimum number of external components.

The AZ34063A is available in 2 packages: SOIC-8 and DIP-8.

Features

- Operation from 3.0V to 36V Input
- Low Standby Current
- Current Limiting
- Output Switch Current to 1.5A
- Output Voltage Adjustable
- Operation Frequency up to 180kHz
- Precision 2% Reference

Applications

- Battery Chargers
- ADSL Modems
- Hubs
- Negative Voltage Power Supplies

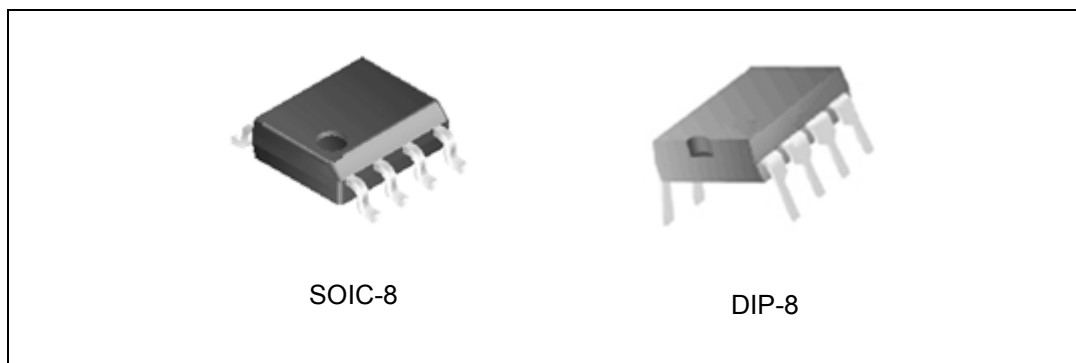


Figure 1. Package Types of AZ34063A

1.5A STEP-DOWN/STEP-UP/INVERTING DC-DC CONVERTER

AZ34063A

Pin Configuration

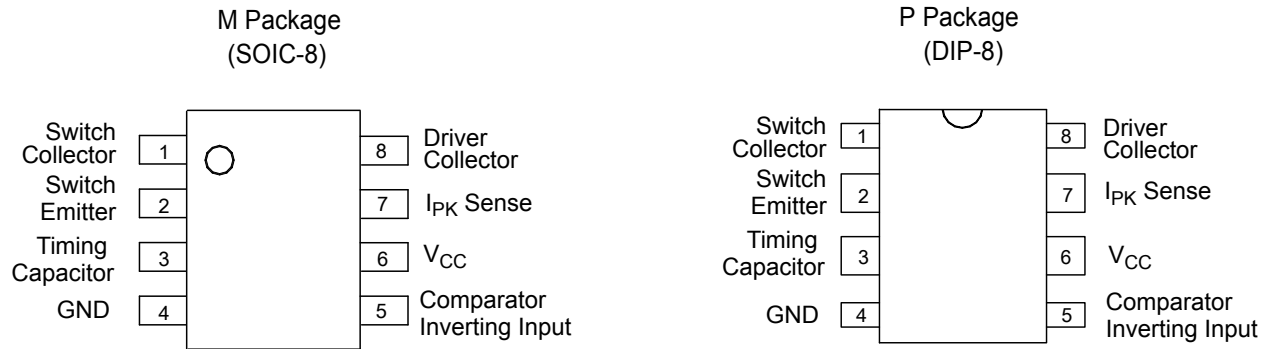


Figure 2. Pin Configuration of AZ34063A (Top View)

Functional Block Diagram

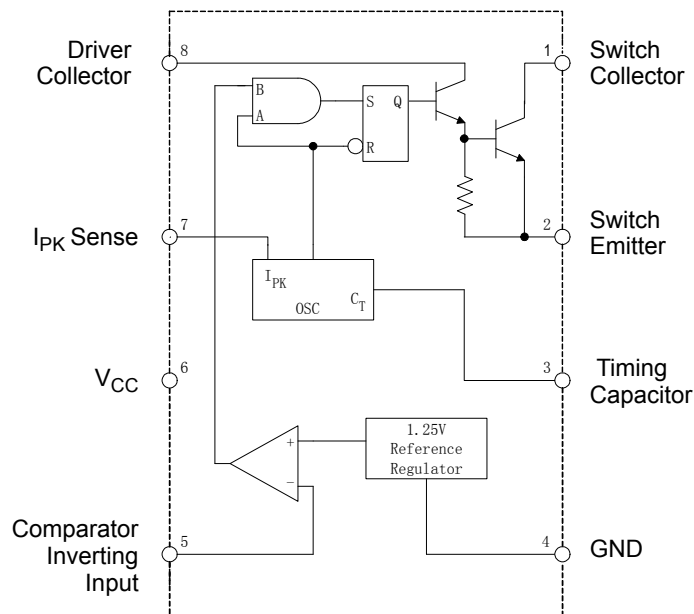
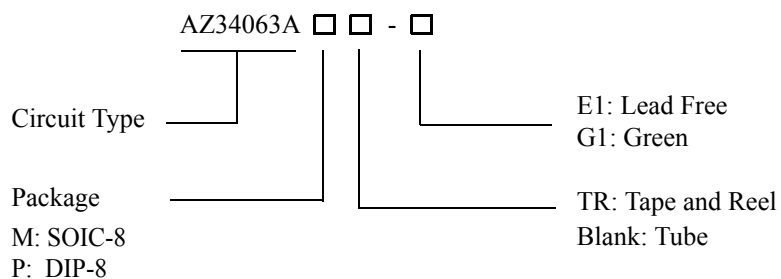


Figure 3. Functional Block Diagram of AZ34063A

**1.5A STEP-DOWN/STEP-UP/INVERTING DC-DC CONVERTER****AZ34063A****Pin Description**

Pin Number	Pin Name	Function
1	Switch Collector	Internal switch transistor collector
2	Switch Emitter	Internal switch transistor emitter
3	Timing Capacitor	Timing Capacitor to control the switching frequency
4	GND	Ground pin for all internal circuits
5	Comparator Inverting Input	Inverting input pin for internal comparator
6	V _{CC}	Voltage supply
7	I _{PK} Sense	Peak Current Sense Input by monitoring the voltage drop across an external current sense resistor to limit the peak current through the switch
8	Driver Collector	Voltage driver collector

Ordering Information

Package	Temperature Range	Part Number		Marking ID		Packing Type
		Lead Free	Green	Lead Free	Green	
SOIC-8	-40 to 85°C	AZ34063AM-E1	AZ34063AM-G1	34063AM-E1	34063AM-G1	Tube
		AZ34063AMTR-E1	AZ34063AMTR-G1	34063AM-E1	34063AM-G1	Tape & Reel
DIP-8	-40 to 85°C	AZ34063AP-E1	AZ34063AP-G1	AZ34063AP-E1	AZ34063AP-G1	Tube

BCD Semiconductor's Pb-free products, as designated with "E1" suffix in the part number, are RoHS compliant. Products with "G1" suffix are available in green packages.

**1.5A STEP-DOWN/STEP-UP/INVERTING DC-DC CONVERTER****AZ34063A****Absolute Maximum Ratings (Note 1)**

Parameter	Symbol	Value	Unit
Power Supply Voltage	V_{CC}	40	V
Comparator Input Voltage Range	V_{IR}	-0.3 to 40	V
Switch Collector Voltage	$V_C(\text{switch})$	40	V
Switch Emitter Voltage ($V_{PIN1}=40V$)	$V_E(\text{switch})$	40	V
Switch Collector to Emitter Voltage	$V_{CE}(\text{switch})$	40	V
Driver Collector Voltage	$V_C(\text{driver})$	40	V
Driver Collector Current (Note 2)	$I_C(\text{driver})$	100	mA
Switch Current	I_{SW}	1.5	A
Power Dissipation ($T_A=25\text{ }^\circ\text{C}$)	DIP-8	P_D	1.25 W
	SOIC-8		780 mW
Thermal Resistance	DIP-8	$R_{\theta JA}$	100 $^\circ\text{C}/\text{W}$
	SOIC-8		160 $^\circ\text{C}/\text{W}$
Operating Junction Temperature	T_J	150	$^\circ\text{C}$
Lead Temperature (Soldering, 10s)	T_{LEAD}	260	$^\circ\text{C}$
Storage Temperature Range	T_{STG}	-65 to 150	$^\circ\text{C}$
ESD (Human body model)		2000	V

Note 1: Stresses greater than those listed under "Absolute Maximum Ratings" may cause permanent damage to the device. These are stress ratings only, and functional operation of the device at these or any other conditions beyond those indicated under "Recommended Operating Conditions" is not implied. Exposure to "Absolute Maximum Ratings" for extended periods may affect device reliability.

Note 2: Maximum package power dissipation limits must be observed.

Recommended Operating Conditions

Parameter	Symbol	Min	Max	Unit
Supply Voltage	V_{CC}	3	36	V
Ambient Temperature	T_A	-40	85	$^\circ\text{C}$



1.5A STEP-DOWN/STEP-UP/INVERTING DC-DC CONVERTER AZ34063A

Electrical Characteristics

($V_{CC}=5.0\text{ V}$, $T_A=-40\text{ to }85^\circ\text{C}$, unless otherwise specified.)

Parameter	Symbol	Conditions	Min	Typ	Max	Unit
OSCILLATOR						
Frequency	f_{OSC}	$V_{PIN5}=0\text{V}$, $C_T=1.0\text{nF}$ $T_A=25^\circ\text{C}$	30	38	45	KHz
Charge Current	I_{CHG}	$V_{CC}=5.0\text{V to }36\text{V}$, $T_A=25^\circ\text{C}$	30	38	45	μA
Discharge Current	I_{DISCHG}	$V_{CC}=5.0\text{V to }36\text{V}$, $T_A=25^\circ\text{C}$	180	240	290	μA
Discharge to Charge Current Ratio	I_{DISCHG}/I_{CHG}	Pin 7 to V_{CC} , $T_A=25^\circ\text{C}$	5.2	6.5	7.5	
Current Limit Sense Voltage	$V_{IPK}(\text{sense})$	$I_{CHG}=I_{DISCHG}$, $T_A=25^\circ\text{C}$	250	300	350	mV
OUTPUT SWITCH (Note 3)						
Saturation Voltage, Darlington Connection	$V_{CE}(\text{sat})$	$I_{SW}=1.0\text{A}$, Pins 1, 8 connected, Common Emitter		1.0	1.3	V
Saturation Voltage (Note 4.)	$V_{CE}(\text{sat})$	$I_{SW}=1.0\text{A}$, $R_{PIN8}=82\Omega$ to V_{CC} , Forced $\beta=20$, Common Emitter		0.45	0.7	V
DC Current Gain	h_{FE}	$I_{SW}=1.0\text{A}$, $V_{CE}=5.0\text{V}$, $T_A=25^\circ\text{C}$	50	75		
Collector Off-State Current	$I_C(\text{off})$	$V_{CE}=36\text{V}$		0.01	100	μA
COMPARATOR						
Threshold Voltage	V_{TH}	$T_A=25^\circ\text{C}$	1.225	1.250	1.275	V
		$T_A=-40\text{ to }85^\circ\text{C}$	1.21	1.250	1.29	
Threshold Voltage Line Regulation	R_{EGLINE}	$V_{CC}=3.0\text{V to }36\text{V}$		1.4	5	mV
Input Bias Current	I_{IB}	$V_{IN}=0\text{V}$		-20	-400	nA
TOTAL DEVICE						
Supply Current	I_{CC}	$V_{CC}=5.0\text{V to }36\text{V}$, $C_T=1.0\text{nF}$, $V_{PIN7}=V_{CC}$, $V_{PIN5} > V_{TH}$, $V_{PIN2}=\text{GND}$, other pins open			4	mA

Note 3: Low duty cycle pulse technique are used during test to maintain junction temperature as close to ambient temperature as possible.

Note 4: If the output switch is driven into hard saturation (non-Darlington configuration) at low switch currents ($\leq 300\text{mA}$) and high driver currents ($\geq 30\text{mA}$), it may take up to 2.0us for it to come out of saturation. This condition will shorten the off time at frequencies 30KHz, and is magnified at high temperatures. This condition does not occur with a Darlington configuration, since the output switch cannot saturate. If a non-Darlington configuration is used, the following output drive condition is recommended:



1.5A STEP-DOWN/STEP-UP/INVERTING DC-DC CONVERTER AZ34063A

Electrical Characteristics (Continued)

Forced β of output switch:
$$\frac{I_C \text{ output}}{I_{C\text{driver}} - 7.0\text{mA}} \geq 10$$

* The 100 Ω resistor in the emitter of the driver device requires about 7.0 mA before the output switch conducts.

Typical Performance Characteristics

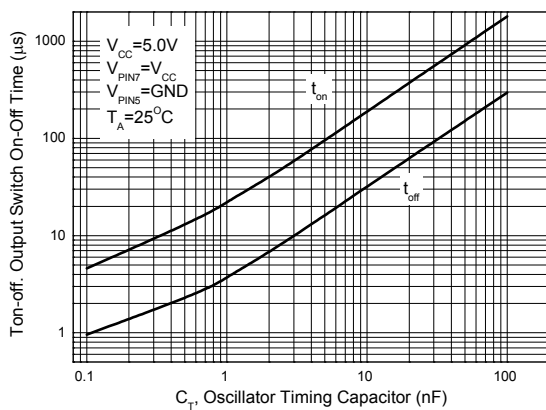


Figure 4. Output Switch On-Off Time vs. Oscillator Timing Capacitor

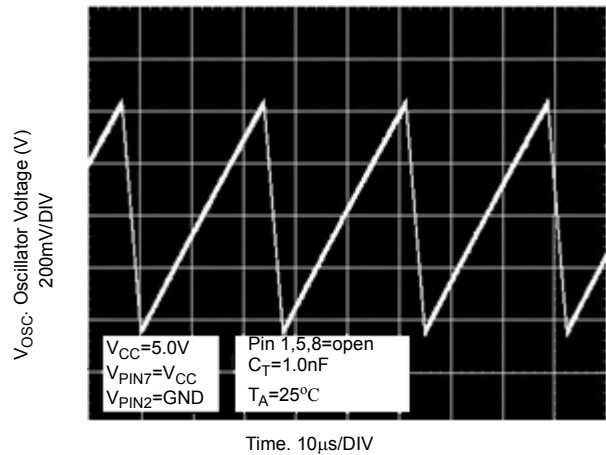


Figure 5. Timing Capacitor Waveform

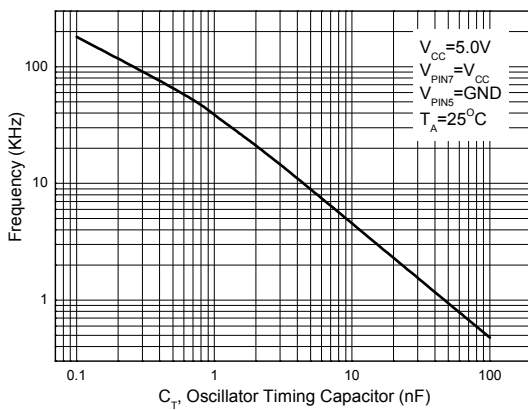


Figure 6. Oscillator Frequency vs. Timing Capacitor

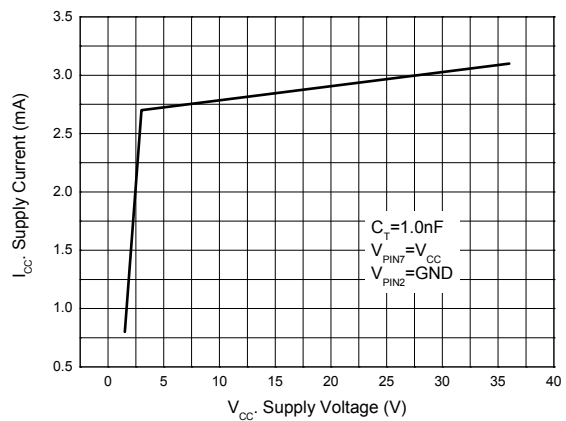


Figure 7. Standard Supply Current vs. Supply Voltage



1.5A STEP-DOWN/STEP-UP/INVERTING DC-DC CONVERTER

AZ34063A

Typical Performance Characteristics (Continued)

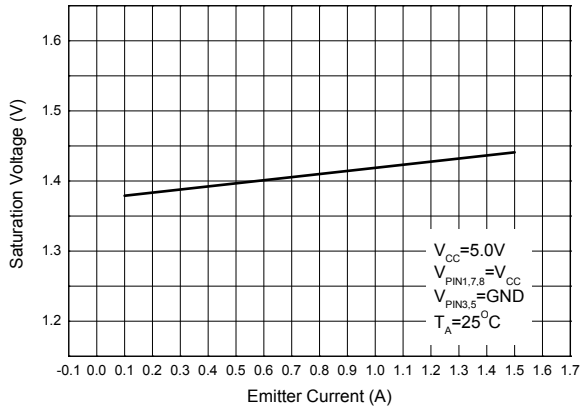


Figure 8. Emitter Follower Configuration Output Saturation Voltage vs. Emitter current

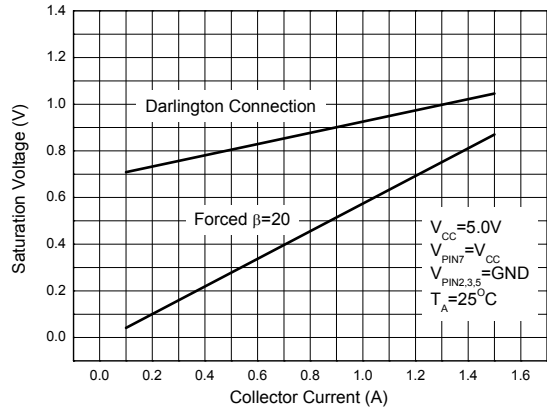


Figure 9. Common Emitter Configuration Output Switch Saturation Voltage vs. Collector Current

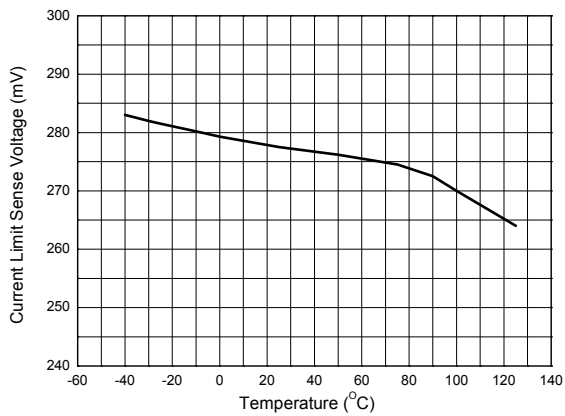


Figure 10. Current Limit Sense Voltage vs. Temperature

Typical Applications

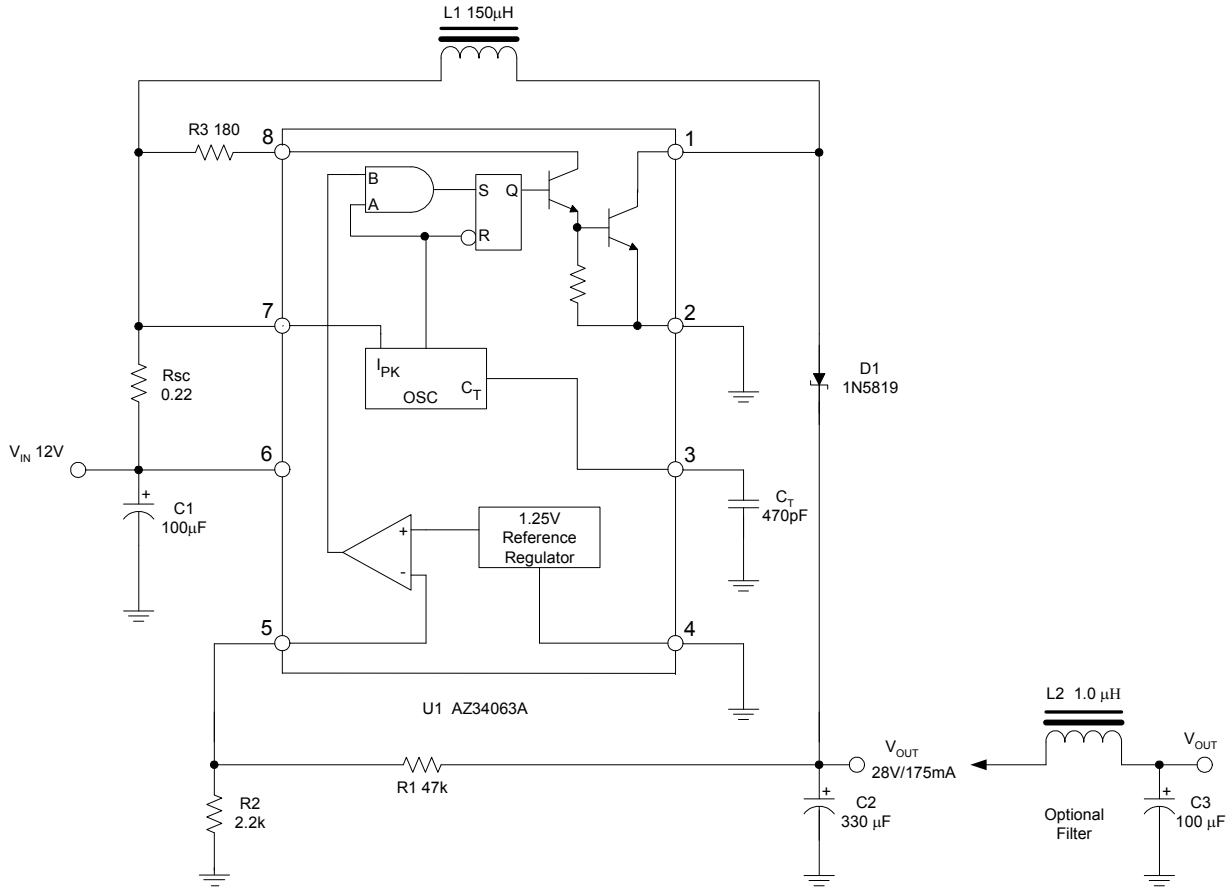


Figure 11. Step-Up Converter (Note 5)

Note 5: This is a typical step-up converter configuration. In the steady state, if the resistor divider voltage at pin 5 is greater than the voltage in the non-inverting input, which is 1.25V determined by the internal reference, the output of the comparator will go low. At the next switching period, the output switch will not conduct and the output voltage will eventually drop below its nominal voltage until the divider voltage at pin 5 is lower than 1.25V. Then the output of the comparator will go high, the output switch will be allowed to conduct. Since $V_{PIN5} = V_{OUT} \cdot R2 / (R1 + R2) = 1.25(V)$, the output voltage can be decided by $V_{OUT} = 1.25 \cdot (R1 + R2) / R2 (V)$.

Typical Applications (Continued)

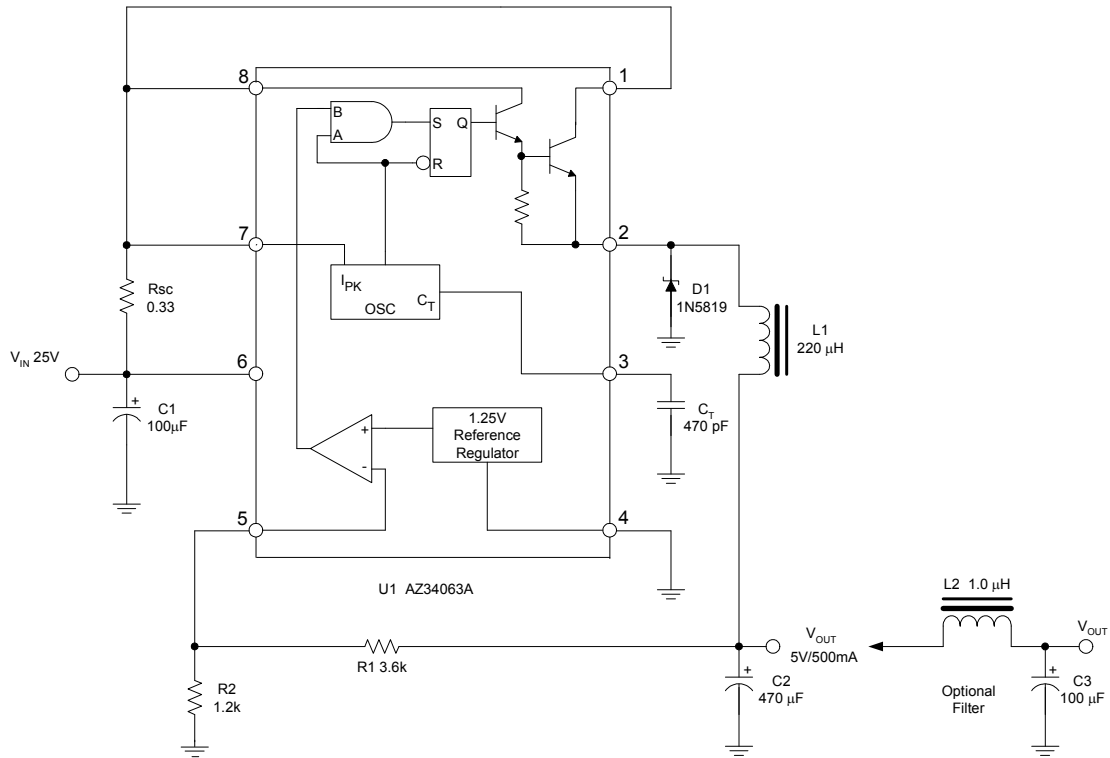


Figure 12. Step-Down converter (Note 6)

Note 6: This is a typical step-down converter configuration. The working process in the steady state is similar to step-up converter, $V_{PIN5} = V_{OUT} * R2 / (R1 + R2) = 1.25 (V)$, the output voltage can be decided by $V_{OUT} = 1.25 * (R1 + R2) / R2 (V)$.

Typical Applications (Continued)

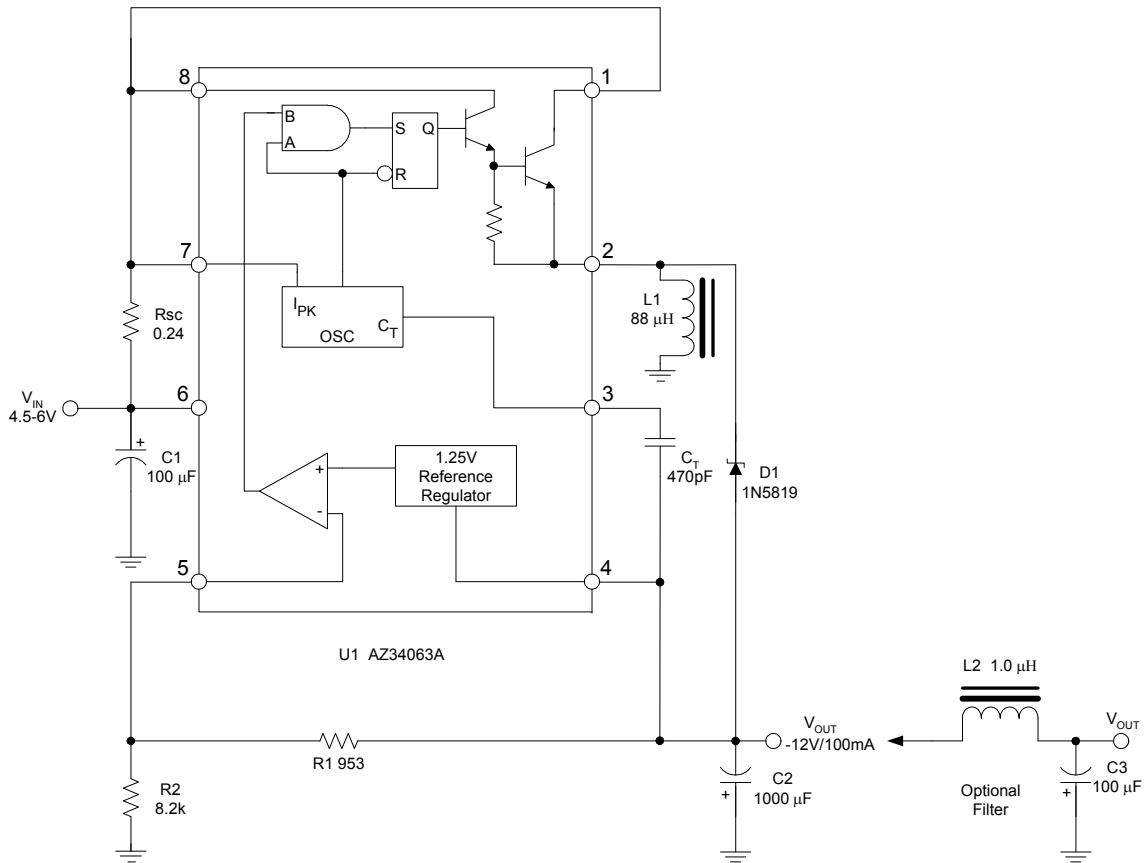


Figure 13. Voltage Inverting Converter (Note 7)

Note 7: This is a typical inverting converter configuration. The working process in the steady state is similar to step-up converter, the difference in this situation is that the voltage at the non-inverting pin of the comparator is equal to $1.25V + V_{OUT}$, then $V_{PIN5} = V_{OUT} * R2 / (R1 + R2) = 1.25V + V_{OUT}$, so the output voltage can be decided by $V_{OUT} = -1.25 * (R1 + R2) / R1$ (V).



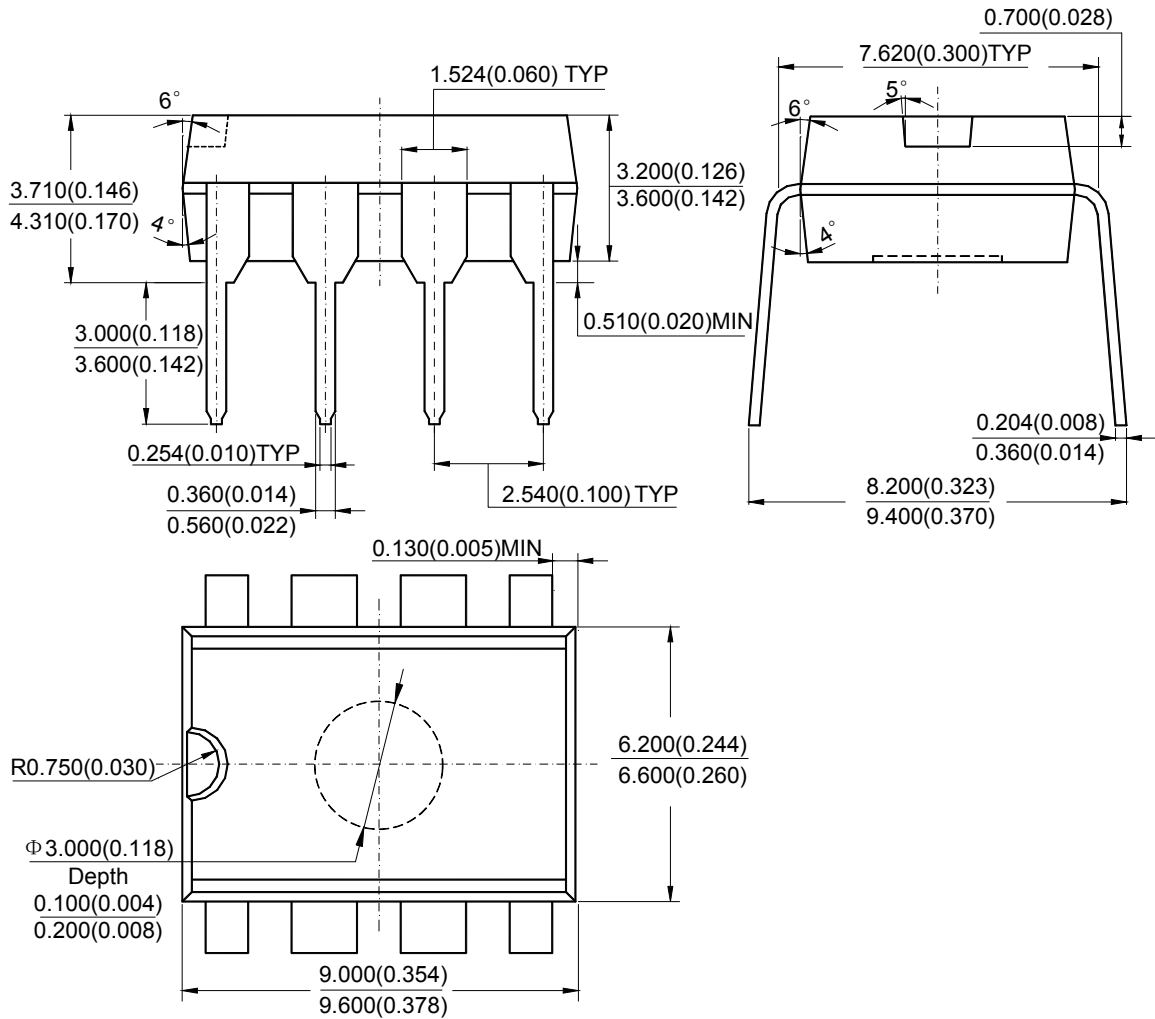
1.5A STEP-DOWN/STEP-UP/INVERTING DC-DC CONVERTER

AZ34063A

Mechanical Dimensions (Continued)

DIP-8

Unit: mm(inch)



Note: Eject hole, oriented hole and mold mark is optional.



BCD Semiconductor Manufacturing Limited

<http://www.bcdsemi.com>

IMPORTANT NOTICE

BCD Semiconductor Manufacturing Limited reserves the right to make changes without further notice to any products or specifications herein. BCD Semiconductor Manufacturing Limited does not assume any responsibility for use of any its products for any particular purpose, nor does BCD Semiconductor Manufacturing Limited assume any liability arising out of the application or use of any its products or circuits. BCD Semiconductor Manufacturing Limited does not convey any license under its patent rights or other rights nor the rights of others.

MAIN SITE

- Headquarters

BCD Semiconductor Manufacturing Limited

No. 1600, Zi Xing Road, Shanghai Zizhu Science-based Industrial Park, 200241, China
Tel: +86-21-24162266, Fax: +86-21-24162277

- Wafer Fab

Shanghai SIM-BCD Semiconductor Manufacturing Co., Ltd.

800 Yi Shan Road, Shanghai 200233, China
Tel: +86-21-6485 1491, Fax: +86-21-5450 0008

REGIONAL SALES OFFICE

Shenzhen Office

Shanghai SIM-BCD Semiconductor Manufacturing Co., Ltd., Shenzhen Office

Unit A Room 1203, Skyworth Bldg., Gaoxin Ave. 1.S., Nanshan District, Shenzhen, China
Tel: +86-755-8826 7951
Fax: +86-755-8826 7865

Taiwan Office

BCD Semiconductor (Taiwan) Company Limited

4F, 298-1, Rui Guang Road, Nei-Hu District, Taipei, Taiwan
Tel: +886-2-2656 2808
Fax: +886-2-2656 2806

USA Office

BCD Semiconductor Corp.

30920 Huntwood Ave. Hayward, CA 94544, USA
Tel : +1-510-324-2988
Fax: +1-510-324-2788