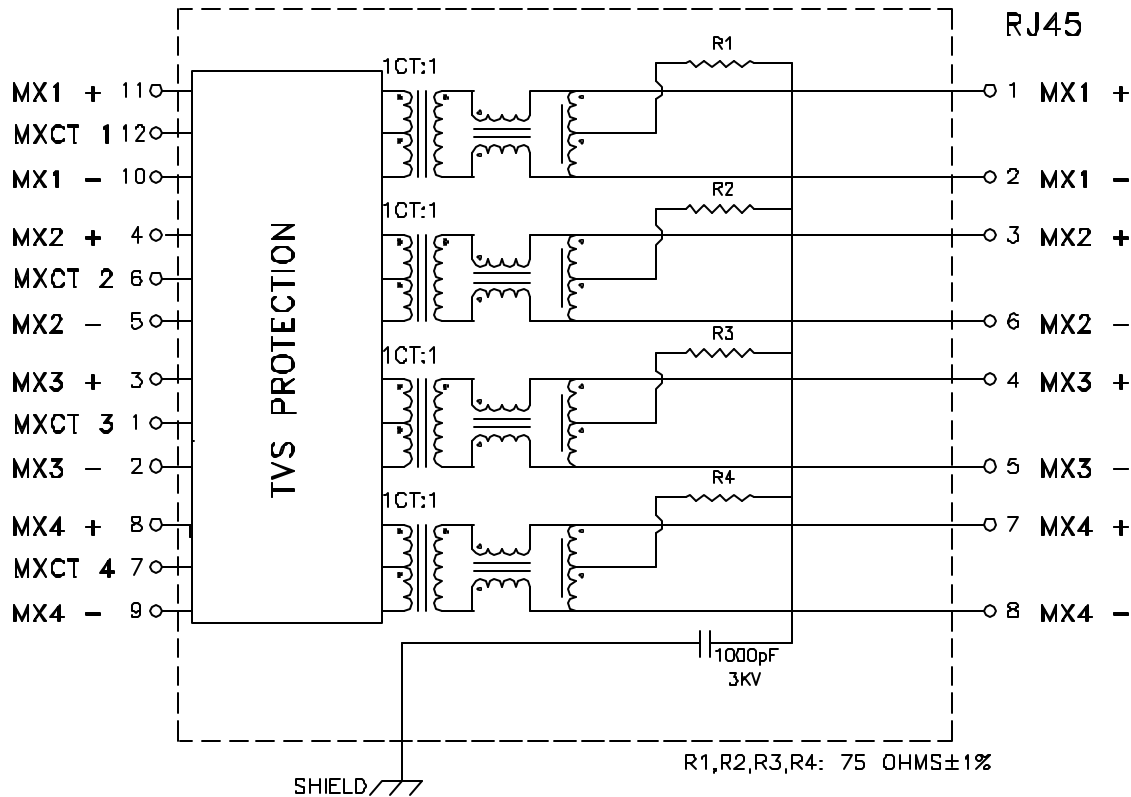


Schematic:



Electrical Specifications: @25°C

Isolation Voltage: 1500 Vrms @60Hz 1MIN

Common Mode Rejection: @1-50MHz -30dB Typ

@50-130MHz -20dB Typ

Crosstalk: @1-10MHz -40dB Typ

@30-60MHz -35dB Typ

@60-100MHz -30dB Typ

Insertion Loss (1-100MHz): -1.0dB Typ

Return Loss: @1-10MHz -20dB Typ

@30MHz -16dB Typ

@60-80MHz -12dB Typ

Notes:

1. Solderability: Leads shall meet MIL-STD-202G, Method 208H for solderability.
2. Flammability: UL94V-0
3. ASTM oxygen index: > 28%
4. UL Recognized Component: File Number E200238
5. Operating Temperature Range: All listed parameters are to be within tolerance from -40°C to +85°C
6. Storage Temperature Range: -55°C to +125°C
7. Aqueous wash compatible
8. Electrical and mechanical specifications 100% tested
9. RoHS Compliant Component

DOC. REV: A/2

PROPRIETARY:

Document is the property of XFMRs Group & is not allowed to be duplicated without authorization.

XFMRs Inc
www.XFMRs.com

UNLESS OTHERWISE SPECIFIED
TOLERANCES:
.xxx ±0.010
Dimensions in Inch
SHEET 1 OF 2

Title:

SINGLE PORT COMBO

P/N: XFGIG12TVS-CT1-4L

REV. A

DWN.

Mei Chen

Sep-17-10

CHK.

YK Liao

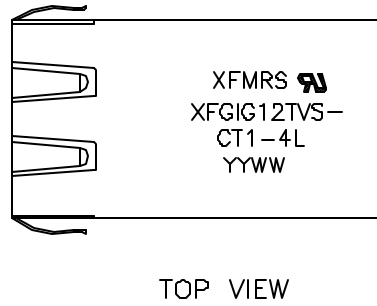
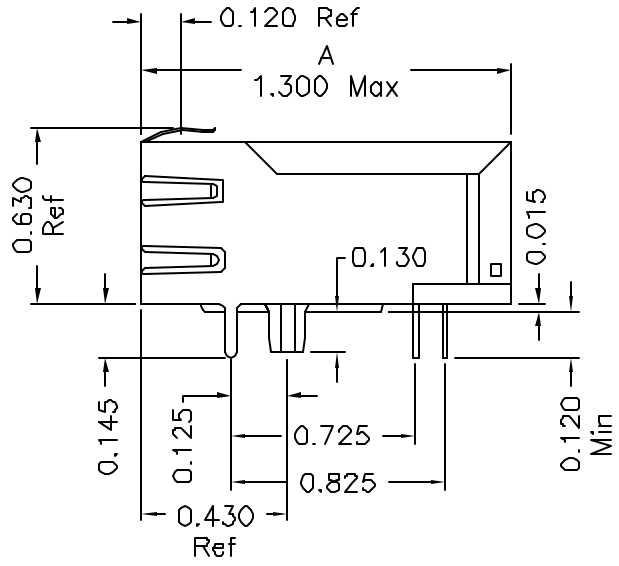
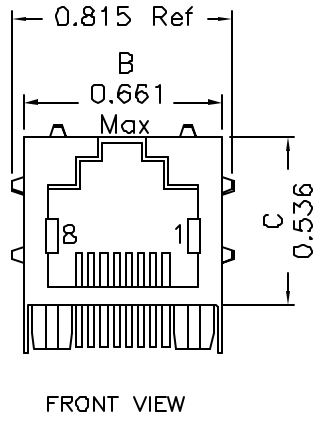
Sep-17-10

APP.

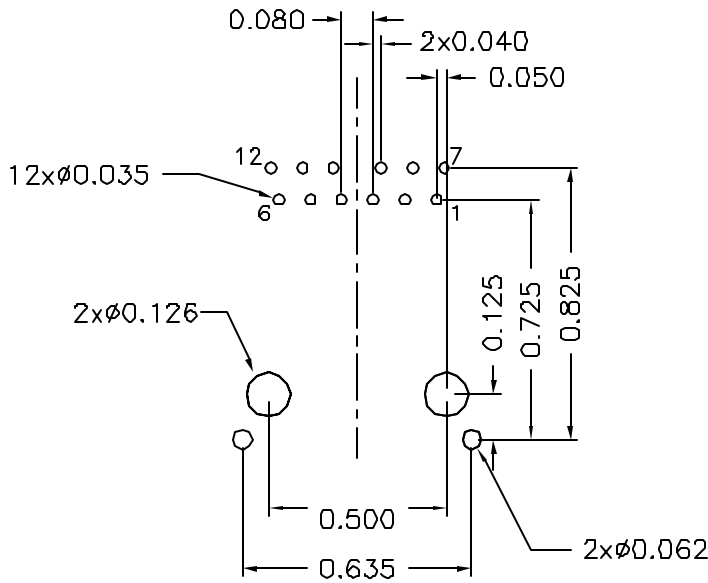
Joe Huff

Sep-17-10

Mechanical Dimensions:



Mounting Pattern:



DOC REV: A/2

XFMRS Inc. www.XFMRS.com		Title: Mechanical Dimensions For TAB UB RJ45 COMBO	
UNLESS OTHERWISE SPECIFIED TOLERANCES: .xxx ±0.010 Dimensions in Inch	P/N: XFGIG12TVS-CT1-4L	REV. A	
	DWN.	Mei Chen	Sep-17-10
SHEET 2 OF 2	CHK.	YK Liao	Sep-17-10
	APP.	Joe Huff	Sep-17-10

PROPRIETARY:

Document is the property of XFMRS Group & is not allowed to be duplicated without authorization.