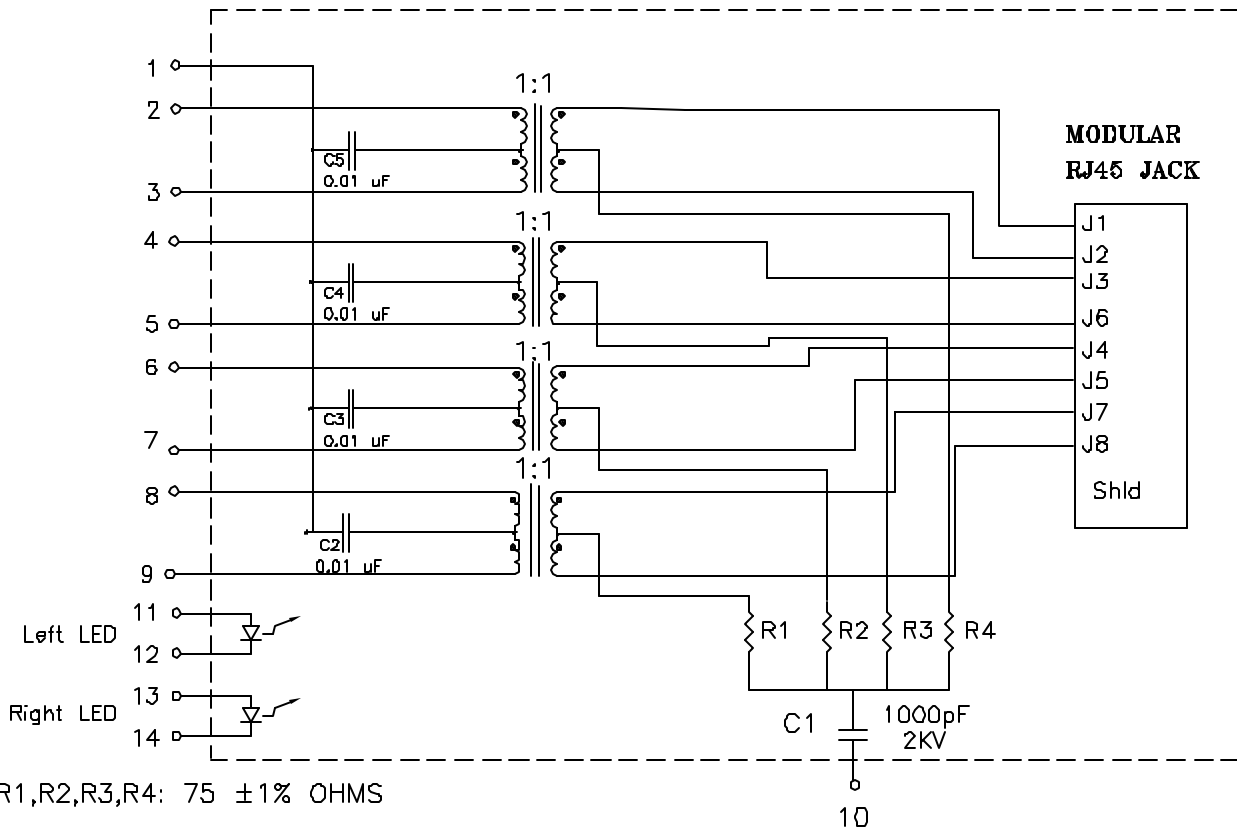


Schematic: (DUAL PORT)



R1,R2,R3,R4: 75 ±1% OHMS

Electrical Specifications: @25°C

- ISOLATION: INPUT-OUTPUT 1500 Vrms
- TURNS RATIO: (PRI/SEC) 1:1 ±3%
- OCL: 350uH MIN @100KHz 100mV 8mADC
- INSERTION LOSS: -1.2dB MAX @100KHz
 - 1.0dB MAX @1-65MHz
 - 1.2dB MAX @100MHz
 - 3.0dB MAX @125MHz
- RETURN LOSS: -20dB Min @1-10MHz
 - 18dB Min @30MHz -12dB Min @60-80MHz
 - 10dB Min @100MHz
- Crosstalk: -40dB Min @1-10MHz
 - 35dB Min @32-65MHz
 - 30dB Min @100MHz

Notes:

1. Solderability: Leads shall meet MIL-STD-202, Method 208D for solderability.
2. Flammability: UL94V-0
3. ASTM oxygen index: > 28%
4. Insulation System: Class F 155°C. UL file E151556
5. Operating Temperature Range: All listed parameters are to be within tolerance from -40°C to +85°C
6. Storage Temperature Range: -55°C to +125°C
7. Aqueous wash compatible
8. Electrical and mechanical specifications 100% tested
9. RoHS Compliant Component

Complete the Combo P/N as follows:

Replace 'x' & 'u' in the part number with one of the LED color letters:

Y=Yellow	'x' = Left LED Color
G=Green	'u' = Right LED Color
A=Amber	
R=Red	

C=Green(1)/Amber(2) Bicolor
 D=Amber(1)/Green(2) Bicolor
 M=Green(1)/Yellow(2) Bicolor
 N=Yellow(1)/Green(2) Bicolor
 P=Red(1)/Green(2) Bicolor
 Q=Green(1)/Red(2) Bicolor
 E=Red(1)/Yel(2) Bicolor

Single Color LED:

Bi-Color LED:

DOC REV: A/1

XFMRS Inc.
www.XFMRS.com

Title: **Dual Port GigE COMBO**

UNLESS OTHERWISE SPECIFIED
TOLERANCES:
.xxx ±0.010

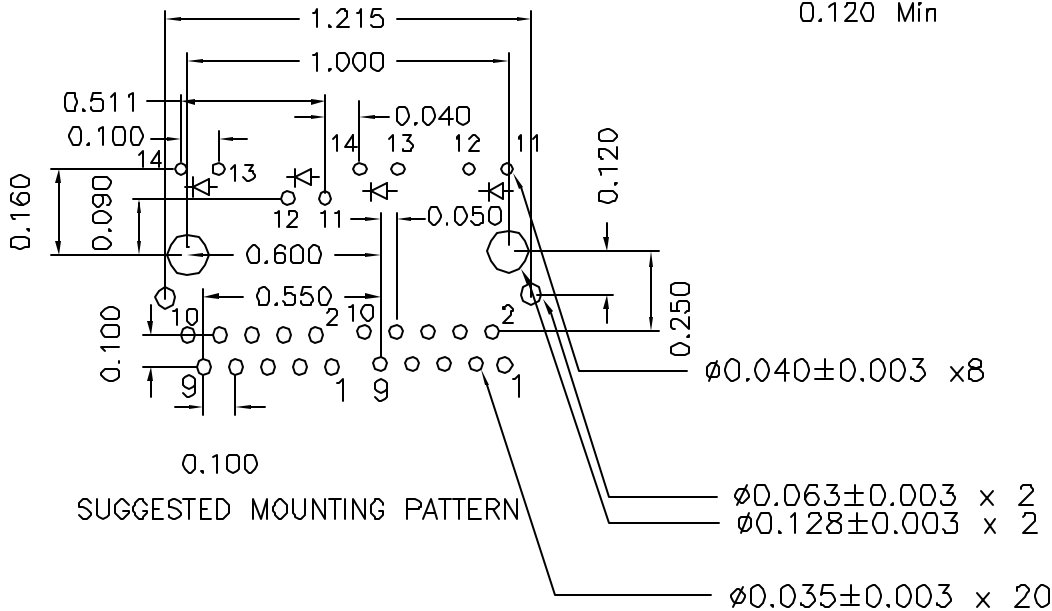
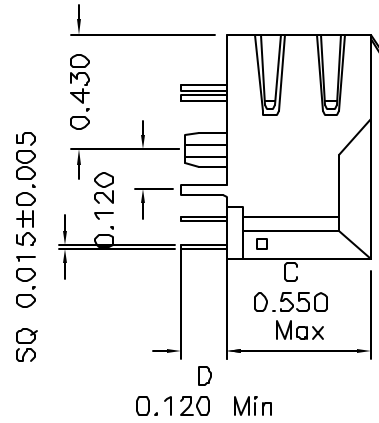
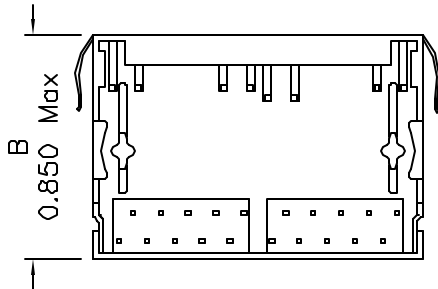
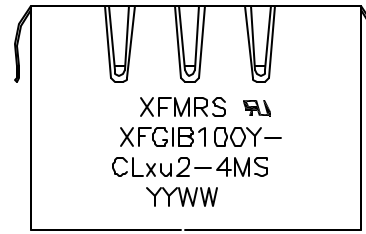
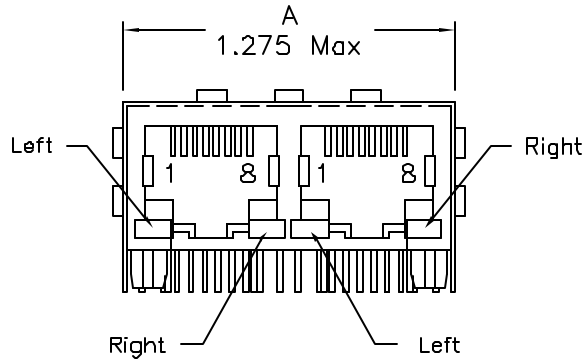
P/N: XFGIB100Y-CLxu2-4MS		REV. A
DWN.	Juan Mao	Jan-31-06
CHK.	YK Liao	Jan-31-06
APP.	BW	Jan-31-06

Dimensions in Inch
SHEET 1 OF 2

PROPRIETARY:

Document is the property of XFMRS Group & is not allowed to be duplicated without authorization.

Mechanical Dimensions: (FOR CLxu2-4MS)



Doc. Rev A/1

XFMRS Inc www.XFMRS.com	Title: Mechanical Dimensions For CLxu2-4MS Series		
	UNLESS OTHERWISE SPECIFIED TOLERANCES: .xxx ±0.010	P/N: XFGIB100Y-CLxu2-4MS	REV. A
Dimensions in Inch	DWN.	Juan Mao	Jan-31-06
SHEET 2 OF 2	CHK.	YK Liao	Jan-31-06
	APP.	BW	Jan-31-06

PROPRIETARY:

Document is the property of XFMRS Group & is not allowed to be duplicated without authorization.