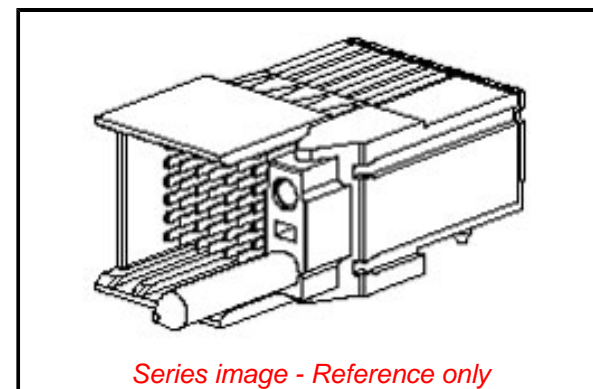


PLEASE CHECK WWW.MOLEX.COM FOR LATEST PART INFORMATION

Part Number: [0760115133](#)
Status: **Active**
Overview: GbX I-Trac™ Backplane Connector System
Description: GbX I-Trac™ Right Angle Header Module, 1.85mm by 3.70mm Pitch, Right Guided Coplanar, Left Open, 7 Rows, 10 Columns, 140 Circuits, Mating Pin Length 4.70mm, Lead-Free

Documents:

[3D Model](#) [Packaging Specification PK-70873-588 \(PDF\)](#)
[Drawing \(PDF\)](#) [RoHS Certificate of Compliance \(PDF\)](#)
[Product Specification PS-75710-999-001 \(PDF\)](#)



Agency Certification

UL E29179

General

Product Family Backplane Connectors
 Series [76011](#)
 Application Coplanar, Daughtercard
 Component Type Right Angle Male
 Overview [GbX I-Trac™ Backplane Connector System](#)
 Product Name GbX I-Trac™
 UPC 883906036362

Physical

Circuits (Loaded) 140
 Circuits (maximum) 140
 Color - Resin Black
 Durability (mating cycles max) 200
 First Mate / Last Break No
 Flammability 94V-0
 Guide to Mating Part Yes
 Keying to Mating Part None
 Material - Metal High Performance Alloy (HPA)
 Material - Plating Mating Gold
 Material - Plating Termination Tin
 Material - Resin High Temperature Thermoplastic
 Net Weight 34.307/g
 Number of Columns 10
 Number of Pairs 4, Open Pin Field
 Number of Rows 7
 Orientation Right Angle
 PC Tail Length 2.00mm
 PCB Locator No
 PCB Retention None
 PCB Thickness - Recommended 1.60mm
 Packaging Type Tray
 Pitch - Mating Interface 3.70mm
 Pitch - Termination Interface 1.20mm
 Plating min - Mating 0.762µm
 Plating min - Termination 0.762µm
 Polarized to PCB Yes
 Stackable No
 Surface Mount Compatible (SMC) Yes
 Temperature Range - Operating 85°C
 Termination Interface: Style Through Hole - Compliant Pin

EU ELV

Not Relevant

EU RoHS

Compliant

REACH SVHC

Not Contained Per
 -ED/01/2017 (12
 January 2017)

Halogen-Free

Status

Low-Halogen

Need more information on product environmental compliance?

Email productcompliance@molex.com
 Please visit the [Contact Us](#) section for any non-product compliance questions.

China ROHS	Green Image
ELV	Not Relevant
RoHS Phthalates	Not Contained

Search Parts in this Series

[76011](#) Series

Mates With

[76020](#) GbX I-Trac™ Right Angle Receptacle Module

Use With

[78230](#) GbX I-Trac™ Right Angle Power Receptacle

Electrical

Current - Maximum per Contact	1.0A
Data Rate	12.0 Gbps
Shielded	No
Voltage - Maximum	120V AC (RMS)/DC

Solder Process Data

Lead-freeProcess Capability	N/A
-----------------------------	-----

Material Info**Reference - Drawing Numbers**

Packaging Specification	PK-70873-588
Product Specification	PS-75710-999-001
Sales Drawing	SD-76011-003

This document was generated on 03/02/2017

PLEASE CHECK WWW.MOLEX.COM FOR LATEST PART INFORMATION