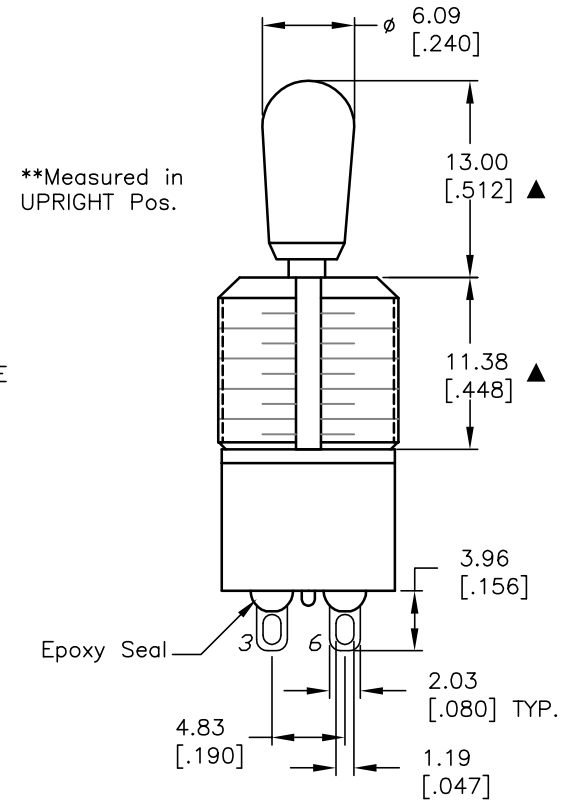
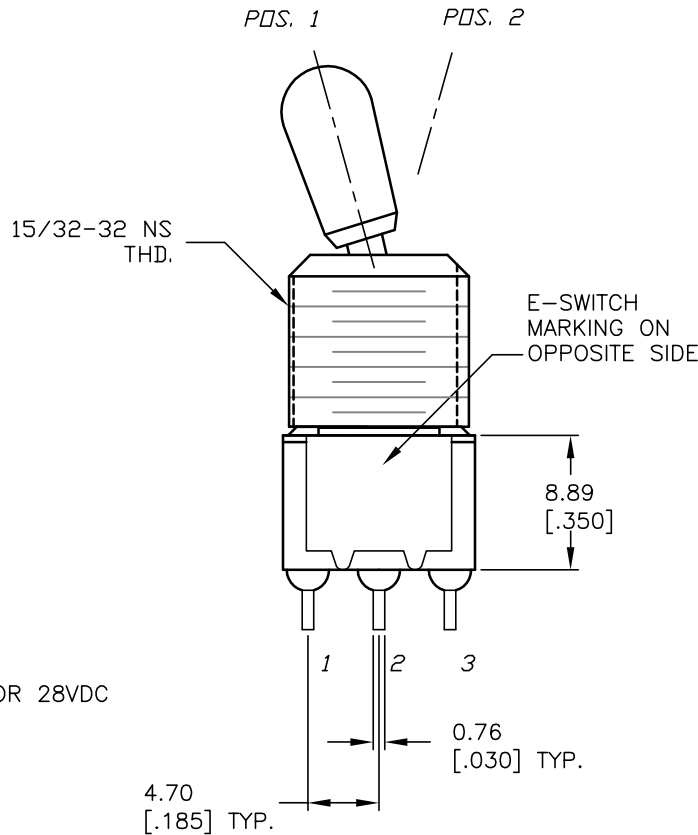


CIRCUIT: DPDT

SWITCH FUNCTION		
POS. 1	POS. 2	POS. 3
DN	NONE	DN
2-3, 5-6	OPEN	2-1, 5-4



**Measured in UPRIGHT Pos.

- NOTES:
- ALL DIMENSIONS IN MM [INCH]
 - GENERAL TOLERANCE: X.X=±0.4
X.XX=±0.25
 - TERM. NOS. FOR REF. ONLY
 - RATING: 5 AMPS W/RESISTIVE LOAD @120VAC OR 28VDC
2 AMPS W/RESISTIVE LOAD @ 250VAC
 - FIXED TERM. & MOVING CONTACT;
SILVER PLATED COPPER ALLOY
 - ELECTRICAL LIFE: 50,000 MAKE-AND-BREAK
CYCLES AT FULL LOAD.
 - INSULATION RESISTANCE: 1,000M OHM MIN.
 - DIELECTRIC STRENGTH: 1000V RMS @SEA LEVEL
 - OPERATING TEMP.: -30°C to 85°C
 - ▲ DENOTES CRITICAL PARAMETER.

E-SWITCH®

TITLE				
100DP1T7B13M1QE				
SCALE	DATE	DR	DWG	REV
2:1	7/25/03	AR	T121034	A

THE INFORMATION CONTAINED IN THIS DOCUMENT IS PROPRIETARY TO E-SWITCH AND IS NOT TO BE COPIED OR TRANSFERRED