

# CXA-L0524-NJL

Non-dimming/Connector Type

## ■ Features

- 1 output
- UL60950 approved
- Applicable panel size\*: 3 to 15 inches
- In the high-voltage generator(a terminal and a pattern), an anti-dust measure by silicone application is taken.  
(Notice) Applicable panel size becomes a standard.

## ■ Applications



## CXA-L0524-NJL Specifications (Please refer to each specification before use)

### Electrical Characteristics

| Item                 | Unit  | Symbol | Specification |      |      | Condition |          |            | Remark    |
|----------------------|-------|--------|---------------|------|------|-----------|----------|------------|-----------|
|                      |       |        | min           | typ  | max  | Vin(V)    | Ta(°C)   | RL(kΩ)     |           |
| Output Current       | mArms | Iout   | 4.5           | 5.0  | 5.5  | 24±0.24   | 23±5     | 120        |           |
|                      |       |        | 4.0           | 5.0  | 6.0  | 24±1.2    | 0 to +60 | 110 to 130 |           |
| Input Current        | A     | Iin    | -             | 0.15 | 0.25 | 24±1.2    | 0 to +60 | 110 to 130 |           |
| Frequency            | kHz   | Freq   | 26            | 32   | 38   | 24±1.2    | 0 to +60 | 110 to 130 |           |
| Open Circuit Voltage | Vrms  | Vopen  | 1400          | 1500 | -    | 24±1.2    | 0 to +60 | ∞          | Open load |

### Other Specifications

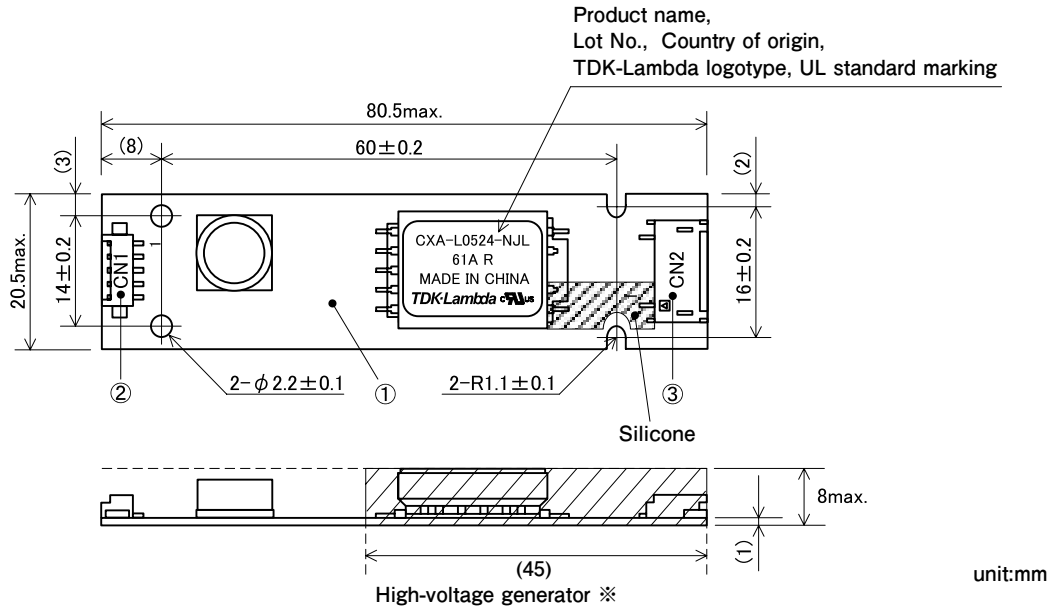
|                                       |     |                  |
|---------------------------------------|-----|------------------|
| Dimming Function                      |     | No               |
| Operating Temperature                 | °C  | 0 to +60         |
| Storage Temperature                   | °C  | -30 to +85       |
| Operating Humidity Ratio              | RH% | 95Max            |
| Safety Standard                       |     | UL60950          |
| Weight                                | g   | 11               |
| Dimensions(WxDxH)                     | mm  | 80.5x20.5x8 (*1) |
| Fused Input                           |     | Yes              |
| Remote ON / OFF                       |     | No               |
| Alarm Signal Function                 |     | No               |
| Shutdown Function                     |     | No               |
| Silicone Coating on High Voltage Area |     | Yes              |

(\*1) These dimensions are indicated the maximum.

## ■ Conformity to RoHS Directive

This means that, in conformity with EU Directive 2002/95/EC, lead, cadmium, mercury, hexavalent chromium, and specific bromine-based flame retardants, PBB and PBDE, have not been used, except for exempted applications.

# Outline Drawing



(The entire surface within a range of 45mm away from the end of the basein)

※From high-voltage generator, please secure space distance more than 3mm in top and bottom right and left.

## Connector

| Connector number | Part number               | Model                          | Quantity | Remarks            | Recommended applicable connector |
|------------------|---------------------------|--------------------------------|----------|--------------------|----------------------------------|
| ①                | Printed circuit board PCB | Composite (CEM-3)              | 1        | UL94V-0 t=1.0      | —                                |
| ②                | Input connector CN1       | 53261-0571                     | 1        | Molex Inc.         | 51021-0500                       |
| ③                | Output connector CN2      | SM02 (8.0) B-BHS-1-TB (LF)(SN) | 1        | JST Mfg. Co., Ltd. | BHR-03VS-1                       |

## Terminal Numbers And Functions

### Input side CN1

| Terminal number | Symbol          | Rated voltage |
|-----------------|-----------------|---------------|
| CN1-1           | V <sub>in</sub> | 24V           |
| CN1-2           | GND             | 0V            |
| CN1-3           | N.C.            | —             |
| CN1-4           |                 |               |
| CN1-5           |                 |               |

### Output side CN2

| Terminal number | Symbol             | Rated voltage |
|-----------------|--------------------|---------------|
| CN2-1           | V <sub>HIGH1</sub> | 750Vrms       |
| CN2-2           | N.C.               | —             |
| CN2-3           | V <sub>HIGH2</sub> | 750Vrms       |

※The output is floating.  
Both CN2-1 and CN2-3 become high voltage.

# Connections

