

PLEASE CHECK WWW.MOLEX.COM FOR LATEST PART INFORMATION

Part Number: [0733861080](#)
Status: **Active**
Overview: [BNC RF Connectors](#)
Description: 50 Ohms, Adapter N Plug to BNC Jack, Straight

Documents:

[Drawing \(PDF\)](#) [RoHS Certificate of Compliance \(PDF\)](#)

General

| | |
|-----------------|--------------------|
| Product Family | RF/Coax Connectors |
| Series | 73386 |
| Overview | BNC RF Connectors |
| Product Name | Adapter, BNC, N |
| Style | Adapter |
| UPC | 822350223829 |
| Wire/Cable Type | N/A |

Physical

| | |
|-----------------------|-----------|
| Gender | Jack/Plug |
| Keying to Mating Part | Yes |
| Net Weight | 38.690/g |
| Orientation | Straight |
| PCB Mounting | N/A |
| Packaging Type | Tray |
| Panel Mount | No |
| Panel Mount Method | N/A |
| Reverse Polar | No |

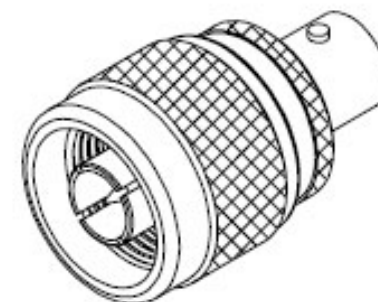
Electrical

| | |
|-----------|-----|
| Impedance | 50# |
|-----------|-----|

Material Info

Reference - Drawing Numbers

| | |
|---------------|--------------|
| Sales Drawing | SD-73386-108 |
|---------------|--------------|



Series image - Reference only

EU ELV

Not Relevant

EU RoHS

Not Reviewed

REACH SVHC

Not Reviewed

Halogen-Free

Status

Not Reviewed

Need more information on product environmental compliance?

Email productcompliance@molex.com
Please visit the [Contact Us](#) section for any non-product compliance questions.

China ROHS

Not Reviewed

ELV

Not Relevant

Search Parts in this Series

[73386 Series](#)