

NCE25GD135T

NCE25GD135T

1350V, 25A, Trench NPT IGBT

Features

- Trench NPT(Non Punch Through) IGBT
- High speed switching
- Low saturation voltage: $V_{CE(sat)}=2.0V@I_C=25A$
- High input impedance

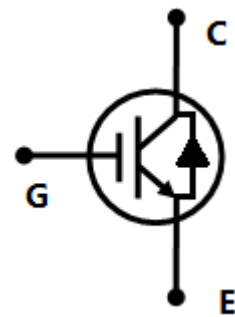


Applications

- Inductive heating, Microwave oven, Inverter, UPS, etc.
- Soft switching applications

General Description

Using advanced Trench NPT technology, NCE's 1350V IGBTs offers superior conduction and switching performances, and easy parallel operation with exceptional avalanche ruggedness. This device is designed for soft switching applications.



Absolute Maximum Ratings

| Symbol | Description | Ratings | Units |
|-------------|--|-------------|-------------|
| V_{CES} | Collector to Emitter Voltage | 1350 | V |
| V_{GES} | Gate to Emitter Voltage | +/-30 | V |
| I_C | Continuous Collector Current @ $T_C=25^{\circ}C$ | 50 | A |
| | Continuous Collector Current @ $T_C=100^{\circ}C$ | 25 | A |
| $I_{CM}(1)$ | Pulsed Collector Current | 90 | A |
| I_F | Diode Continuous Forward Current @ $T_C=100^{\circ}C$ | 25 | |
| I_{FM} | Diode Maximum Forward Current | 150 | A |
| P_D | Maximum Power Dissipation @ $T_C=25^{\circ}C$ | 312 | W |
| | Maximum Power Dissipation @ $T_C=100^{\circ}C$ | 125 | W |
| T_J | Operating Junction Temperature | -55 to +150 | $^{\circ}C$ |
| T_{stg} | Storage Temperature Range | -55 to +150 | $^{\circ}C$ |
| T_L | Maximum Lead Temp. for soldering Purposes, 1/8" from case for 5seconds | 300 | $^{\circ}C$ |

Notes:

1. Repetitive rating, Pulse width limited by max. junction temperature

Thermal Characteristics

| Symbol | Parameter | Typ. | Max. | Units |
|------------------|---|------|------|---------------|
| $R_{\square JC}$ | Thermal Resistance, Junction to Case | - | 0.4 | $^{\circ}C/W$ |
| R_{JA} | Thermal Resistance, Junction to Ambient | - | 40 | $^{\circ}C/W$ |

Electrical Characteristics of the IGBT $T_C=25^{\circ}C$

| Symbol | Parameter | Test Conditions | Min. | Typ. | Max. | Units |
|----------------------------------|---|---|------|------|--------|-------|
| Off Characteristics | | | | | | |
| BV_{CES} | Collector to Emitter Breakdown Voltage | $V_{GE}=0V, I_C=1mA$ | 1350 | - | - | V |
| I_{CES} | Collector Cut-Off Current | $V_{CE}=1350V, V_{GE}=0V$ | - | - | 1 | mA |
| I_{GES} | G-E Leakage Current | $V_{GE}=25V, V_{CE}=0V$ | - | - | +/-250 | nA |
| On Characteristics | | | | | | |
| $V_{GE(th)}$ | G-E Threshold Voltage | $I_C=25mA, V_{CE}=V_{GE}$ | 4.0 | 5.5 | 7.0 | V |
| $V_{CE(sat)}$ | Collector to Emitter Saturation Voltage | $I_C=25A, V_{GE}=15V$ $T_C=25^{\circ}C$ | - | 2 | 2.5 | V |
| | | $I_C=25A, V_{GE}=15V$ $T_C=125^{\circ}C$ | - | 2.15 | - | V |
| Dynamic Characteristics | | | | | | |
| C_{ies} | Input Capacitance | $V_{CE}=30V, V_{GE}=0V,$ $f=1MHz$ | - | 3700 | - | pF |
| C_{oes} | Output Capacitance | | - | 130 | - | pF |
| C_{res} | Reverse Transfer Capacitance | | - | 80 | - | pF |
| Switching Characteristics | | | | | | |
| $t_{d(on)}$ | Turn-On Delay Time | $V_{CC}=600V, I_C=25A,$ $R_G=10\Omega, V_{GE}=15V,$ Inductive Load, $T_C=25^{\circ}C$ | - | 50 | - | ns |
| t_r | Rise Time | | - | 60 | 90 | ns |
| $t_{d(off)}$ | Turn-Off Delay Time | | - | 190 | - | ns |
| t_f | Fall Time | | - | 100 | 180 | ns |
| E_{on} | Turn-On Switching Loss | | - | 4.1 | 6.2 | mJ |
| E_{off} | Turn-Off Switching Loss | | - | 0.96 | 1.5 | mJ |
| E_{ts} | Total Switching Loss | | - | 5.06 | 7.7 | mJ |
| $t_{d(on)}$ | Turn-On Delay Time | $V_{CC}=600V, I_C=25A,$ $R_G=10\Omega, V_{GE}=15V,$ Inductive Load, $T_C=125^{\circ}C$ | - | 50 | - | ns |
| t_r | Rise Time | | - | 60 | - | ns |
| $t_{d(off)}$ | Turn-Off Delay Time | | - | 200 | - | ns |
| t_f | Fall Time | | - | 154 | - | ns |
| E_{on} | Turn-On Switching Loss | | - | 4.3 | 6.9 | mJ |
| E_{off} | Turn-Off Switching Loss | | - | 1.5 | 2.4 | mJ |
| E_{ts} | Total Switching Loss | | - | 5.8 | 9.3 | mJ |
| Q_g | Total Gate Charge | $V_{CC}=600V, I_C=25A,$ $V_{GE}=15V$ | - | 200 | 300 | nC |
| Q_{ge} | Gate to Emitter Charge | | - | 15 | 23 | nC |
| Q_{gc} | Gate to Collector Charge | | - | 100 | 150 | nC |

Electrical Characteristics of Diode $T_C=25^\circ\text{C}$

| Symbol | Parameter | Test Conditions | Min. | Typ. | Max. | Units | |
|----------|-------------------------------------|---|-------------------------|------|------|-------|---------------|
| V_{FM} | Diode Forward Voltage | $I_F=25\text{A}$ | $T_C=25^\circ\text{C}$ | - | 2.0 | 3.0 | V |
| | | | $T_C=125^\circ\text{C}$ | - | 2.1 | | V |
| t_{rr} | Diode Reverse Recovery Time | | $T_C=25^\circ\text{C}$ | - | 235 | 350 | ns |
| | | | $T_C=125^\circ\text{C}$ | - | 300 | | ns |
| I_{rr} | Diode Peak Reverse Recovery Current | $I_F=25\text{A},$ $di/dt=200\text{A/us}$ | $T_C=25^\circ\text{C}$ | - | 27 | 40 | A |
| | | | $T_C=125^\circ\text{C}$ | - | 31 | | A |
| Q_{rr} | Diode Reverse Recovery Charge | | $T_C=25^\circ\text{C}$ | - | 3130 | 4700 | μC |
| | | | $T_C=125^\circ\text{C}$ | - | 4650 | | μC |

Typical Performance Characteristics

Figure 1. Typical Output Characteristics

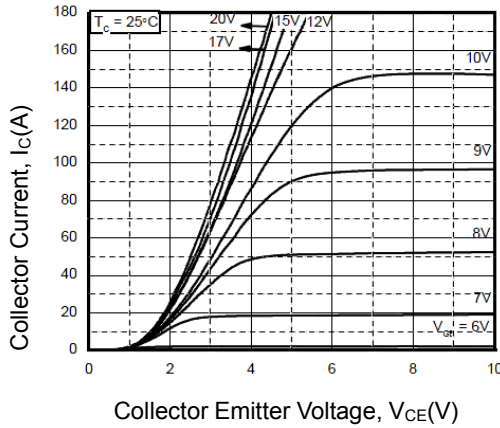


Figure 2. Typical Saturation Voltage Characteristics

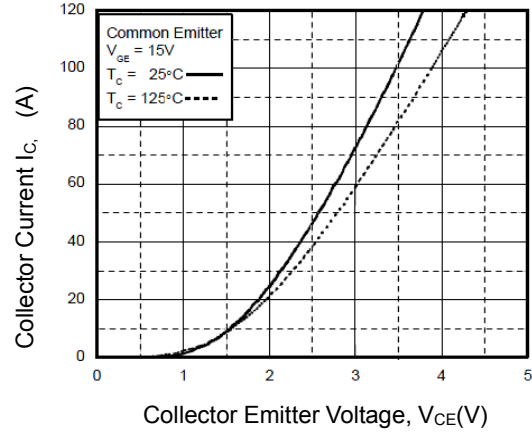


Figure 3. Saturation Voltage vs. Case Temperature at Variant Current Level

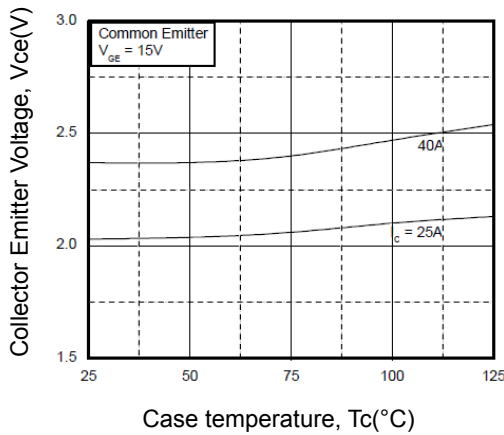


Figure 4. Saturation Voltage vs. Vge

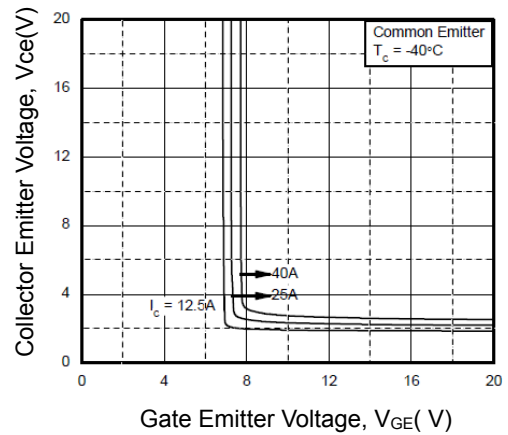


Figure 5. Saturation Voltage vs. Vge

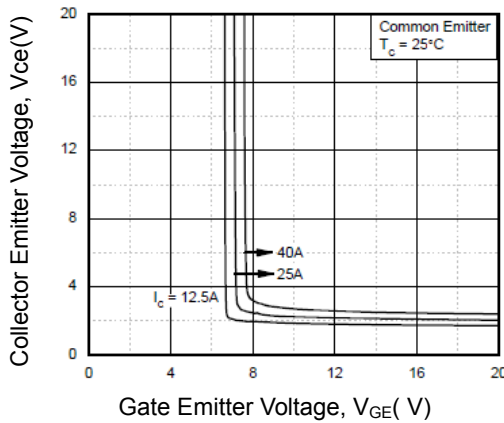
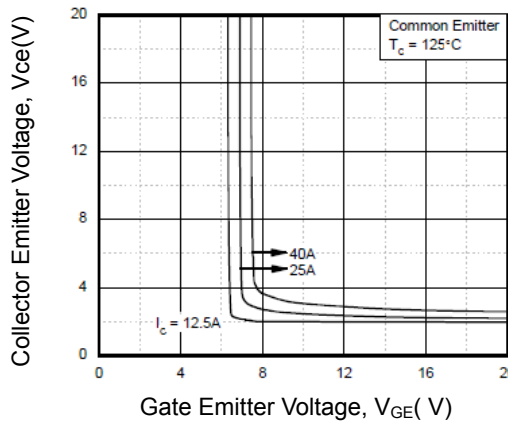


Figure 6. Saturation Voltage vs. Vge



Typical Performance Characteristics (Continued)

Figure 7. Capacitance Characteristics

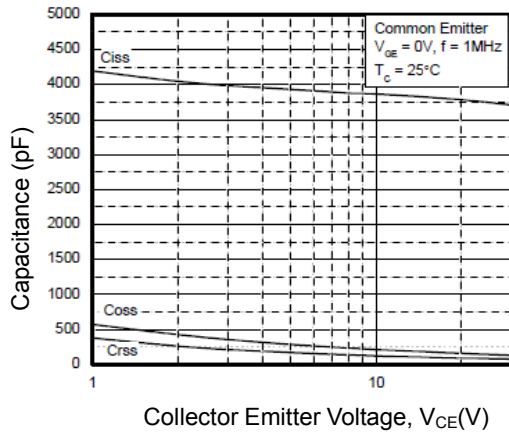


Figure 8. Turn-on Characteristics vs. Gate Resistance

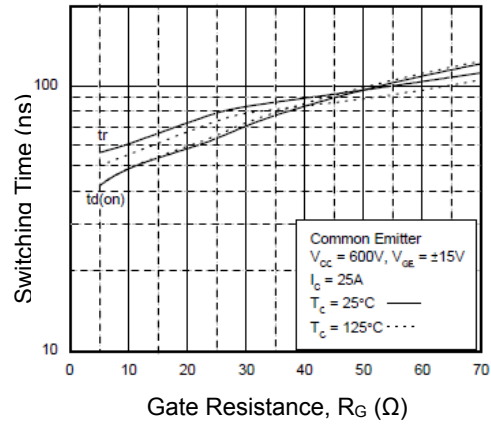


Figure 9. Turn-off Characteristics vs. Gate Resistance

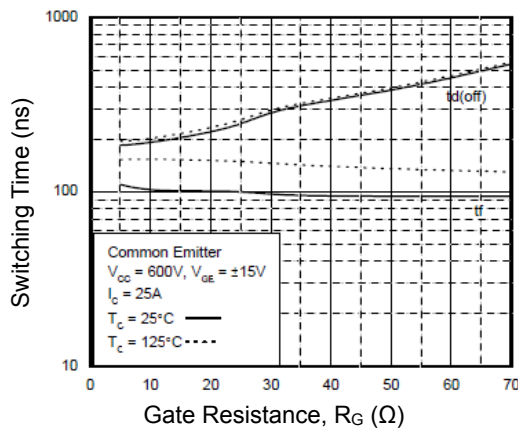


Figure 10. Switching Loss vs. Gate Resistance

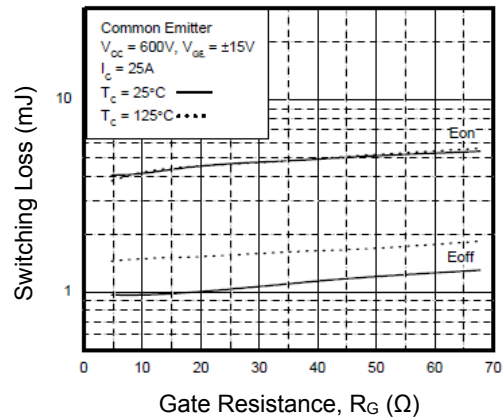


Figure 11. Turn-on Characteristics vs. Collector Current

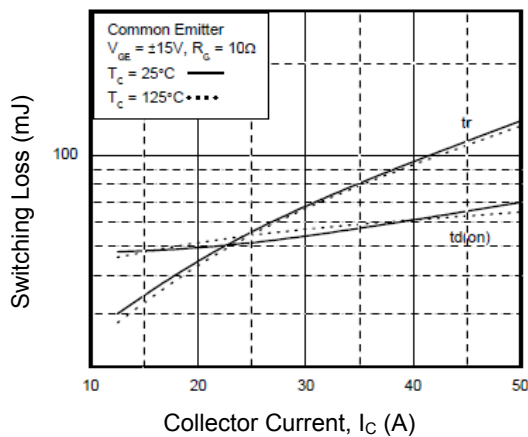
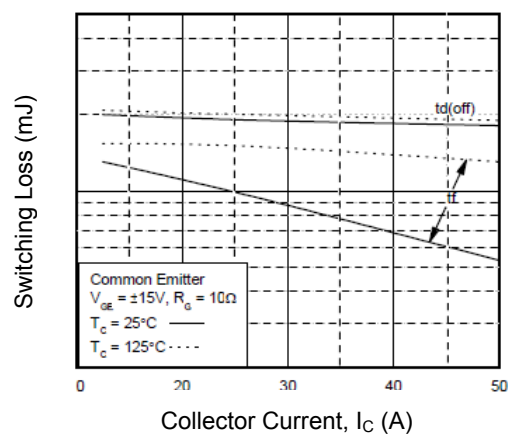


Figure 12. Turn-Off Characteristics vs. Collector Current



Typical Performance Characteristics (Continued)

Figure 13. Switching Loss vs. Collector Current

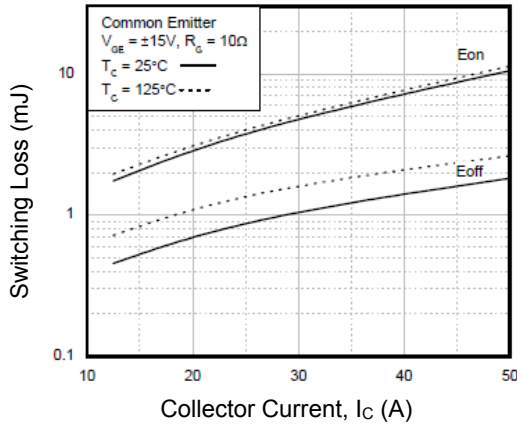


Figure 14. Gate Charge Characteristics

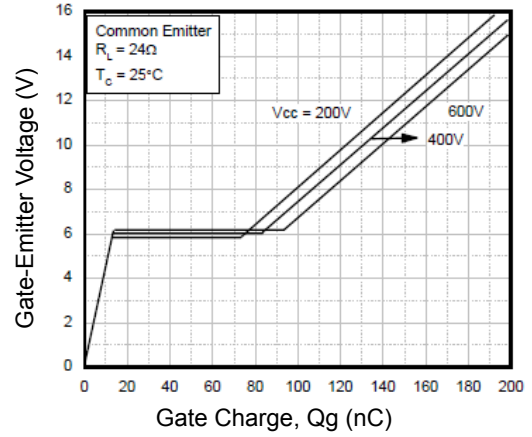


Figure 15. SOA Characteristics

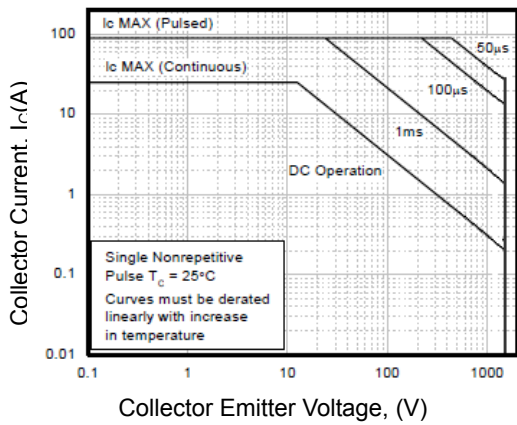


Figure 16. Turn-Off SOA

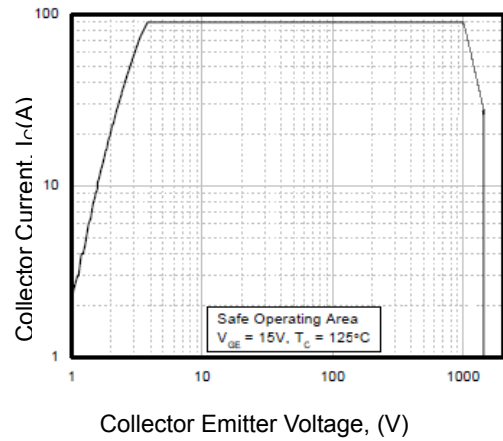
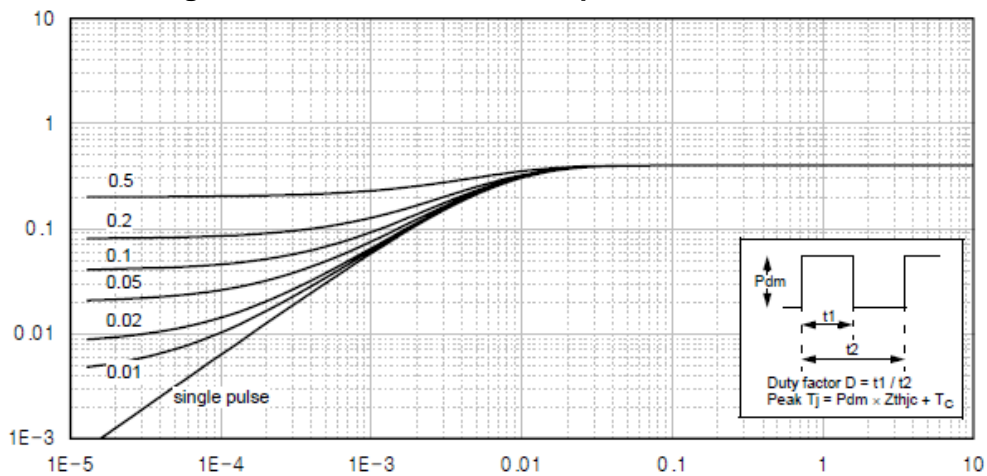
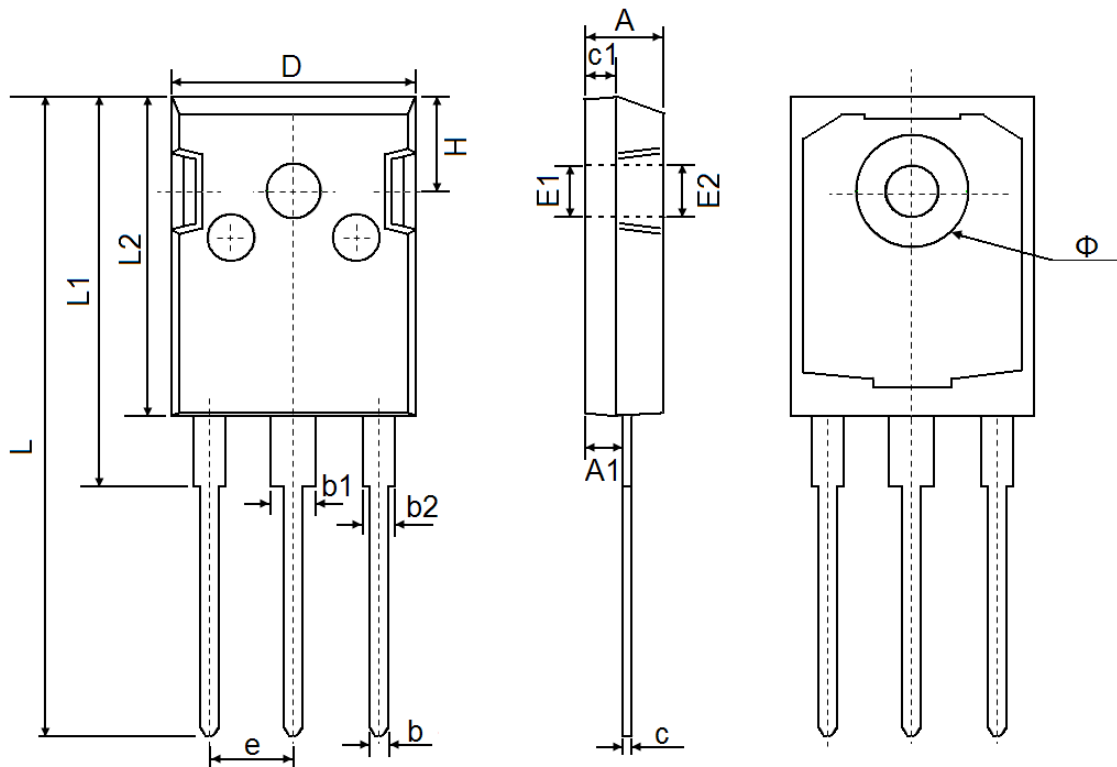


Figure 17. Transient Thermal Impedance of IGBT



TO-247 Package Information



| Symbol | Dimensions In Millimeters | | Dimensions In Inches | |
|--------|---------------------------|--------|----------------------|-------|
| | Min. | Max. | Min. | Max. |
| A | 4.850 | 5.150 | 0.191 | 0.200 |
| A1 | 2.200 | 2.600 | 0.087 | 0.102 |
| b | 1.000 | 1.400 | 0.039 | 0.055 |
| b1 | 2.800 | 3.200 | 0.110 | 0.126 |
| b2 | 1.800 | 2.200 | 0.071 | 0.087 |
| c | 0.500 | 0.700 | 0.020 | 0.028 |
| c1 | 1.900 | 2.100 | 0.075 | 0.083 |
| D | 15.450 | 15.750 | 0.608 | 0.620 |
| E1 | 3.500 REF | | 0.138 REF | |
| E2 | 3.600 REF | | 0.142 REF | |
| L | 40.900 | 41.300 | 1.610 | 1.626 |
| L1 | 24.800 | 25.100 | 0.976 | 0.988 |
| L2 | 20.300 | 20.600 | 0.799 | 0.811 |
| Φ | 7.100 | 7.300 | 0.280 | 0.287 |
| e | 5.450 TYP | | 0.215 TYP | |
| H | 5.980 REF | | 0.235 REF | |



ATTENTION:

- Any and all NCE products described or contained herein do not have specifications that can handle applications that require extremely high levels of reliability, such as life-support systems, aircraft's control systems, or other applications whose failure can be reasonably expected to result in serious physical and/or material damage. Consult with your NCE representative nearest you before using any NCE products described or contained herein in such applications.
- NCE assumes no responsibility for equipment failures that result from using products at values that exceed, even momentarily, rated values (such as maximum ratings, operating condition ranges, or other parameters) listed in products specifications of any and all NCE products described or contained herein.
- Specifications of any and all NCE products described or contained herein stipulate the performance, characteristics, and functions of the described products in the independent state, and are not guarantees of the performance, characteristics, and functions of the described products as mounted in the customer's products or equipment. To verify symptoms and states that cannot be evaluated in an independent device, the customer should always evaluate and test devices mounted in the customer's products or equipment.
- NCE Power Semiconductor CO.,LTD. strives to supply high-quality high-reliability products. However, any and all semiconductor products fail with some probability. It is possible that these probabilistic failures could give rise to accidents or events that could endanger human lives, that could give rise to smoke or fire, or that could cause damage to other property. When designing equipment, adopt safety measures so that these kinds of accidents or events cannot occur. Such measures include but are not limited to protective circuits and error prevention circuits for safe design, redundant design, and structural design.
- In the event that any or all NCE products(including technical data, services) described or contained herein are controlled under any of applicable local export control laws and regulations, such products must not be exported without obtaining the export license from the authorities concerned in accordance with the above law.
- No part of this publication may be reproduced or transmitted in any form or by any means, electronic or mechanical, including photocopying and recording, or any information storage or retrieval system, or otherwise, without the prior written permission of NCE Power Semiconductor CO.,LTD.
- Information (including circuit diagrams and circuit parameters) herein is for example only ; it is not guaranteed for volume production. NCE believes information herein is accurate and reliable, but no guarantees are made or implied regarding its use or any infringements of intellectual property rights or other rights of third parties.
- Any and all information described or contained herein are subject to change without notice due to product/technology improvement, etc. When designing equipment, refer to the "Delivery Specification" for the NCE product that you intend to use.
- This catalog provides information as of Mar. 2010. Specifications and information herein are subject to change without notice.