



# FX0-GPRO00000

Flexi Soft

SAFETY CONTROLLERS / NETWORK SOLUTIONS

**SICK**  
Sensor Intelligence.



### Ordering information

Type	Part no.
FX0-GPRO00000	1044075

Other models and accessories → [www.sick.com/Flexi\\_Soft](http://www.sick.com/Flexi_Soft)



### Detailed technical data

#### Features

<b>Module</b>	Gateway
<b>Fieldbus, industrial network</b>	PROFIBUS DP
<b>Configuration method</b>	Via software

#### Functions

<b>Safe SICK device communication</b>	EFI
---------------------------------------	-----

#### Interfaces

<b>Fieldbus, industrial network</b>	PROFIBUS DP
<b>Data transmission rate</b>	≤ 12,000 kbit/s <sup>1)</sup>
<b>Connection type</b>	1 x female connector, D-Sub, 9-pin

<sup>1)</sup> Depending on cable length.

#### Electrical data

<b>Protection class</b>	III (EN 61140)
<b>Voltage supply</b>	Via FLEXBUS+
<b>Internal power consumption</b>	≤ 1.6 W <sup>1)</sup>

<sup>1)</sup> Via FLEXBUS+.

#### Mechanical data

<b>Dimensions (W x H x D)</b>	22.5 mm x 96.5 mm x 126 mm
<b>Weight</b>	150 g (± 10 %)

#### Ambient data

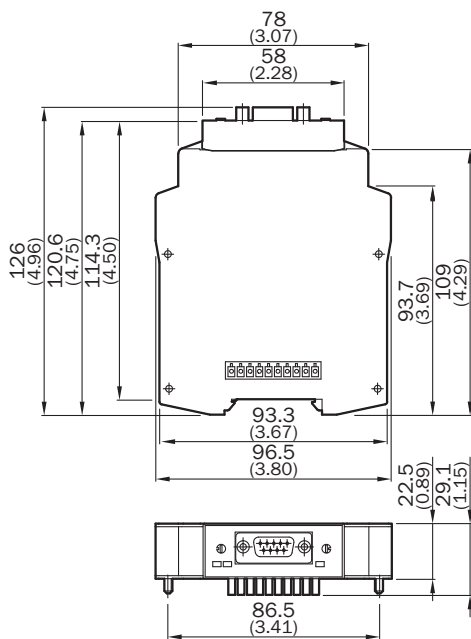
<b>Enclosure rating</b>	IP20 (EN 60529)
<b>Ambient operating temperature</b>	-25 °C ... +55 °C
<b>Storage temperature</b>	-25 °C ... +70 °C
<b>Air humidity</b>	10 % ... 95 %, Non-condensing

Classifications

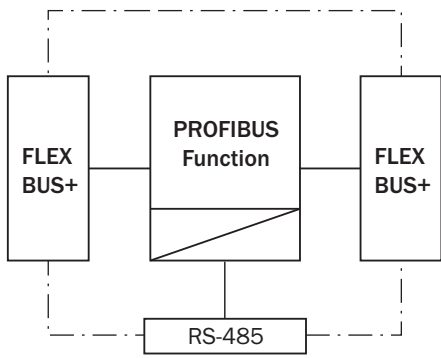
<b>ECI@ss 5.0</b>	27242290
<b>ECI@ss 5.1.4</b>	27249090
<b>ECI@ss 6.0</b>	27249090
<b>ECI@ss 6.2</b>	27249090
<b>ECI@ss 7.0</b>	27249090
<b>ECI@ss 8.0</b>	27249090
<b>ECI@ss 8.1</b>	27249090
<b>ECI@ss 9.0</b>	27249090
<b>ETIM 5.0</b>	EC002632
<b>ETIM 6.0</b>	EC002632
<b>UNSPSC 16.0901</b>	32151705

Dimensional drawing (Dimensions in mm (inch))

FX0-GPRO



Connection diagram



## SICK AT A GLANCE

SICK is one of the leading manufacturers of intelligent sensors and sensor solutions for industrial applications. A unique range of products and services creates the perfect basis for controlling processes securely and efficiently, protecting individuals from accidents and preventing damage to the environment.

We have extensive experience in a wide range of industries and understand their processes and requirements. With intelligent sensors, we can deliver exactly what our customers need. In application centers in Europe, Asia and North America, system solutions are tested and optimized in accordance with customer specifications. All this makes us a reliable supplier and development partner.

Comprehensive services complete our offering: SICK LifeTime Services provide support throughout the machine life cycle and ensure safety and productivity.

For us, that is “Sensor Intelligence.”

## WORLDWIDE PRESENCE:

Contacts and other locations [www.sick.com](http://www.sick.com)