

**MATERIALS**

SHELL	PA GF REINFORCED, BLACK COLOR
COUPLING LATCH	STAINLESS STEEL
O'RING	LUBRICATED RED SILICON

**PERFORMANCES CHARACTERISTICS**

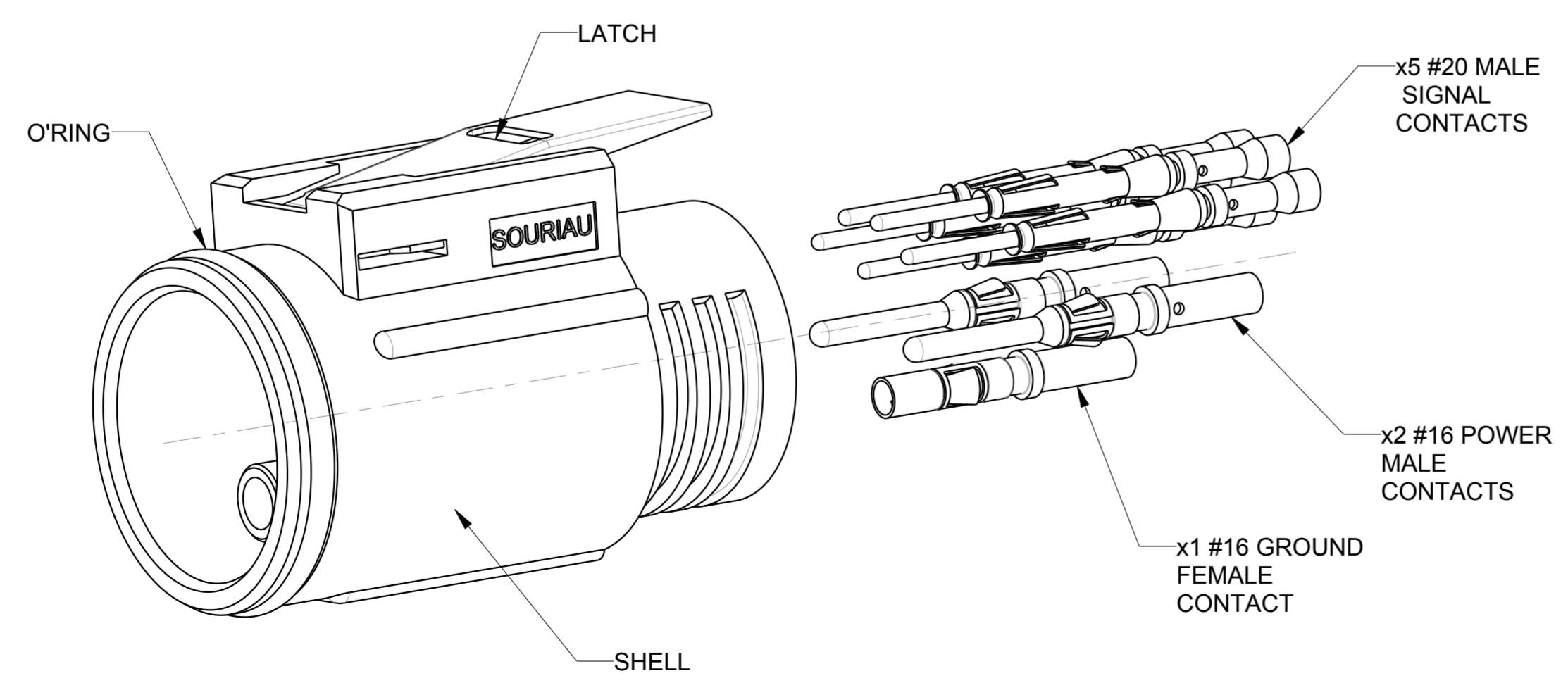
<b>MECHANICAL</b>			
TEMPERATURE CLASS	IEC61984/UL1977	-40°C TO 105°C	
DURABILITY	IEC61984	500 MATE / UNMATE CYCLES	
SEALING IN MATED CONDITIONS	IEC60529	IP68 1BAR DURING 1WEEK	
	DIN40050	IP69K	
SEALING IN UNMATED CONDITIONS	IEC60529	IP67 WITH CAPS	
POLLUTION DEGREE	IEC61984	4	
CORROSION SALT SPRAY		MIN 1000H	
FLAMMABILITY	UL94	MATERIAL RATING: 5VA	
OUTDOOR SUITABILITY (UV RESIST)	UL746C	MATERIAL RATING: (f1)	
SCOOP PROOF			
<b>ELECTRICAL</b>			
TOUCH PROOF	IEC60529	IP2X	
<b>POWER AND GROUND LINES:</b>			
NOMINAL CURRENT	UL1977	16A WITH AWG14 WIRE / 13A WITH AWG16 WIRE	
NOMINAL CURRENT	IEC61984	16A WITH 2.5MM² WIRE / 13A WITH 1.5MM² WIRE AT 60°C	
<b>NOMINAL VOLTAGE</b>			
NOMINAL VOLTAGE	UL1977	600V	
	IEC61984	250VAC 4KV 4 FOR CLASS II	
	IEC61984	500VAC 6KV 4 FOR CLASS I	
<b>SIGNAL CONTACT (a,b,c,d,e) LINES:</b>			
NOMINAL VOLTAGE	IEC61984	48V AC	
NOMINAL CURRENT	IEC61984	5A	

ROHS COMPLIANT

**NOTES**

- COUNTERPART REFERENCE UTL RECEPTACLE OR FREE HANGING
- CONNECTORS ARE DELIVERED AS PRE-ASSEMBLED KIT
- CONNECTOR BLOCKS ACCEPTS TRIM TRIO CONTACTS #16 AND #20, R\*M\* OR S\*M\* TYPES
- CONTACTS TO BE ORDERED SEPARATELY.
- WARNING: PHASE AND SIGNAL CONTACTS ARE MALE VERSION AND GROUND CONTACT IS FEMALE VERSION
- UNIT IN MM

**OVERVIEW WITH CONTACTS (For information only)**  
(SEE NOTA 4)



ECHELLE 3/1

Country	Jurisdiction & Control List
FR	NOT LISTED

P/N : UTL6122G1W5P

<b>B</b>	06/11/15	drawing format updated		
ISS	DATE	Latest modification - by: LANDAIS.PE		MOD N°
Designed by: RAGAIN.E.M		Date:05/03/14	CUSTOMER DRAWING	
<b>TITLE</b>		MALEPLUG SIZE 12 LAYOUT 8 CONTACTS		
		UTL CONNECTOR		
Scale	2/1	General linear Tolerances: ± 0.2	NPRDS / PROJECT UTL	
<b>SOURIAU</b>		WWW.SOURIAU.COM		This document is the property of SOURIAU. It must not be reproduced or communicated without permission.
FORMAT	A2	SOURIAU DRG N° UTL1-0066A-C01		SHEET 1/1