

PLEASE CHECK WWW.MOLEX.COM FOR LATEST PART INFORMATION

Part Number: **0759105133**
Status: **Active**
Overview: GbX I-Trac™ Backplane Connector System
Description: GbX I-Trac™ Right-Angle Header Module, 1.85mm by 3.70mm Pitch, Right Guided Inverted, Right Wall, 11 Rows, 10 Columns, 220 Circuits, Mating Pin Length 4.70mm

Documents:

[3D Model](#) [Packaging Specification PK-70873-585 \(PDF\)](#)
[Drawing \(PDF\)](#) [RoHS Certificate of Compliance \(PDF\)](#)
[Product Specification PS-75710-999 \(PDF\)](#)

General

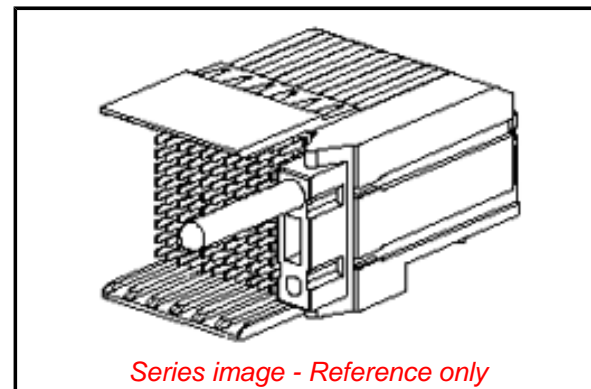
Product Family Backplane Connectors
Series 75910
Application Coplanar, Daughtercard
Component Type Right Angle Male
Overview GbX I-Trac™ Backplane Connector System
Product Name GbX I-Trac™
UPC 800756960883

Physical

Circuits (Loaded) 220
Circuits (maximum) 220
Color - Resin Black
Durability (mating cycles max) 200
First Mate / Last Break No
Guide to Mating Part Yes
Keying to Mating Part None
Material - Metal High Performance Alloy (HPA)
Material - Plating Mating Gold
Material - Plating Termination Tin
Material - Resin High Temperature Thermoplastic
Net Weight 37.751/g
Number of Columns 10
Number of Pairs 6, Open Pin Field
Number of Rows 11
Orientation Right Angle
PC Tail Length 2.00mm
PCB Locator Yes
PCB Retention Yes
PCB Thickness - Recommended 1.60mm
Packaging Type Tray
Pitch - Mating Interface 1.85mm, 3.70mm
Pitch - Termination Interface 1.00mm, 2.70mm
Plating min - Mating 0.762µm
Plating min - Termination 0.762µm
Polarized to PCB Yes
Stackable No
Surface Mount Compatible (SMC) Yes
Temperature Range - Operating -55°C to +80°C
Termination Interface: Style Through Hole - Compliant Pin

Electrical

Current - Maximum per Contact 1.0A
Data Rate 12.0 Gbps
Shield Type N/A
Shielded No



Series image - Reference only

EU ELV

Not Relevant

EU RoHS

Compliant

China RoHS

REACH SVHC

Not Contained Per
-ED/79/2015 (17
December 2015)

Halogen-Free

Status

Low-Halogen

Need more information on product environmental compliance?

Email productcompliance@molex.com
Please visit the [Contact Us](#) section for any non-product compliance questions.

China ROHS
ELV

Green Image
Not Relevant

Search Parts in this Series

75910 Series

Mates With

75710 GbX I-Trac™ Right Angle Receptacle Module

Use With

78235 GbX I-Trac™ Right-Angle Power Receptacle

Application Tooling | FAQ

Tooling specifications and manuals are found by selecting the products below. Crimp Height Specifications are then contained in the Application Tooling Specification document.

Global

Description

Product #

Voltage - Maximum 120V AC (RMS)/DC

Solder Process Data

Lead-free Process Capability N/A

Material Info

Reference - Drawing Numbers

Packaging Specification PK-70873-585
Product Specification PS-75710-999

Right Angle Male (RAM) Module Removal Tool
Press-In Tool for Right Angle Receptacle and Header 11-Row, 10-Column 0622023080
0622018606

This document was generated on 06/09/2016

PLEASE CHECK WWW.MOLEX.COM FOR LATEST PART INFORMATION