

DETAILS

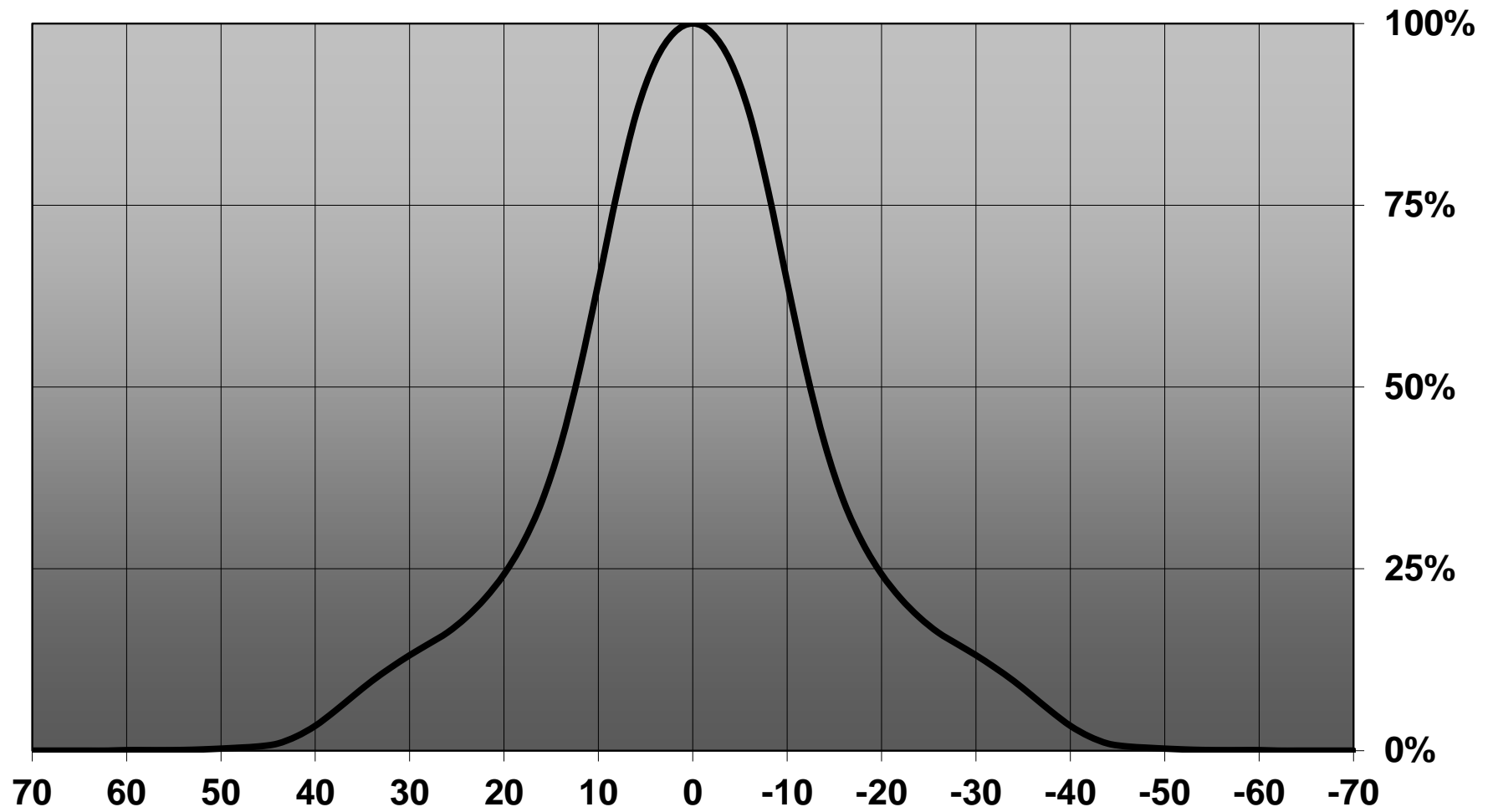
Product Number	CN12706_LENINA-S
Family	Lenina
Type	RefPack
Color	metal
Diameter	74 mm
Height	46,3 mm
Style	round
Optic Material	
Holder Material	
Fastening	screw
Status	production ready
ROHS Compliant	Yes
Date Updated	1/06/2012

OPTICAL PROPERTIES

LED	Viewing	Light	Effi-		Connector
	Angle	Beam	ciency	cd/lm	
CLL04x/CLU04x	26 deg	Spot	86 %	2.600	-
CLU730/731	14 deg	Spot	94 %	6.500	-
LUXEON CoB 1216	27 deg	Spot	91 %	2.500	-
COB D Series LES 22 mm	28 deg	Spot	91 %	2.400	-
ZC25/40/60	29 deg	Spot	86 %	2.200	-



Relative intensity of CN12706_LENINA-S



D

C

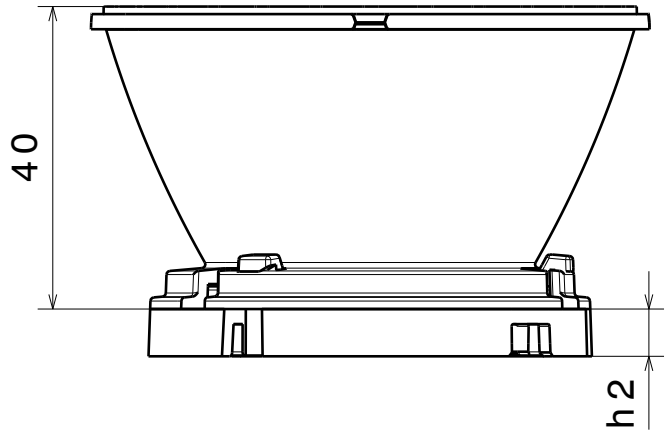
B

A

4

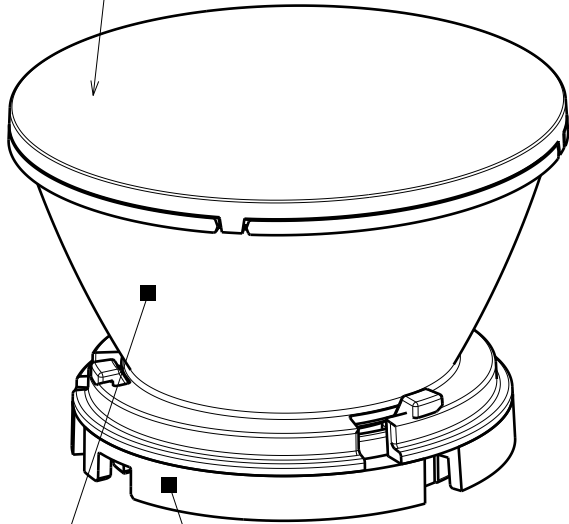
4

Material of optional sublens: PC, clear



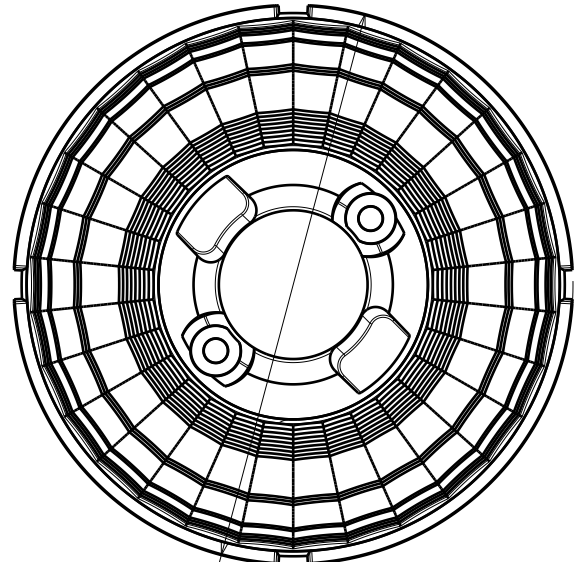
3

3



Base material PC, white

Reflector material PC



2

2

NOTE:

Using optional sublens, add 2.1mm to the system height

Dimension 'h2' varies from 4.5mm to 7mm depending on the LED specific base part

This drawing is our property. It can't be reproduced or communicated without our written agreement.



Ledil Oy
Salorankatu 10
FIN-24240 SALO
Finland

DRAWING TITLE

Datasheet Lenina series

1

1

DRAWN BY

ks

DATE

23.04.2014

CHECKED BY

DATE

SIZE

A4

DRAWING NUMBER

--

REV

1

DESIGNED BY

pl

DATE

08.03.2012

SCALE

1:1

WEIGHT (g)

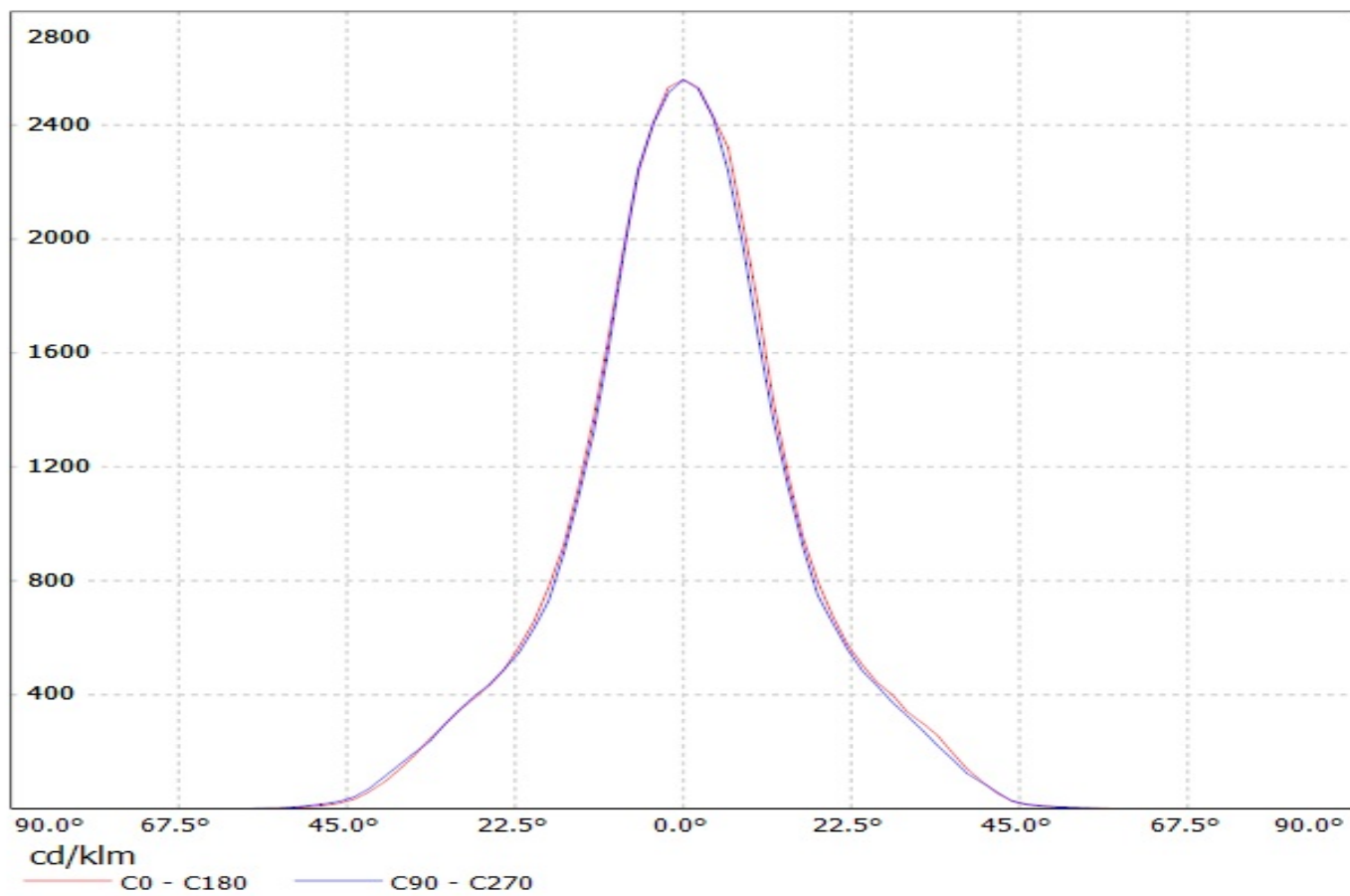
SHEET

1/1

D

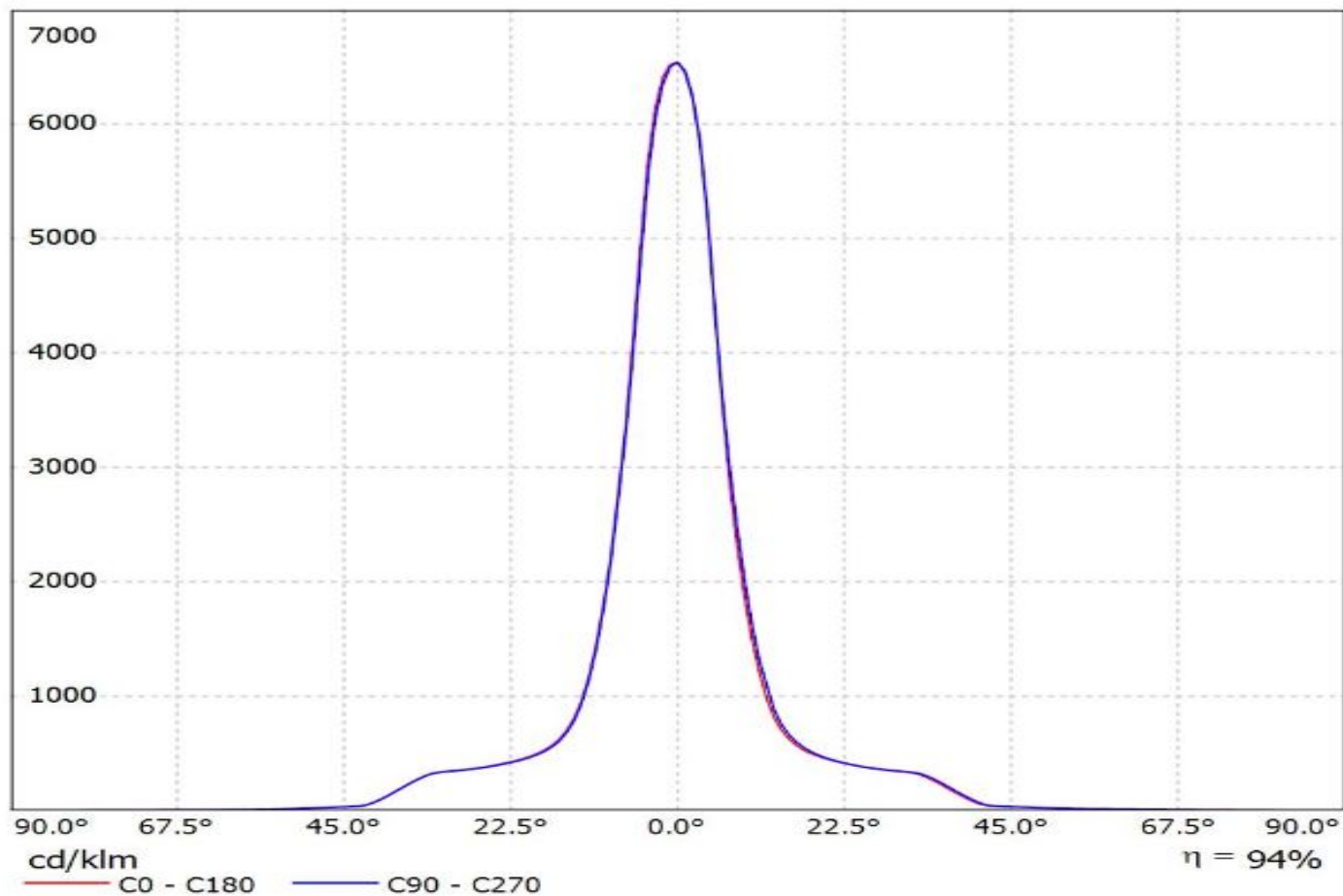
A

Luminaire: Ledil Oy CN12706_LENINA-S (Citizen CLL040-1818 1044lm @ 250mA) Efficiency=86%
Lamps: 1 x Citizen CLL040-1818 1044lm @ 250mA



Luminaire: Ledil CN12706_LENINA-S_(CLU730)

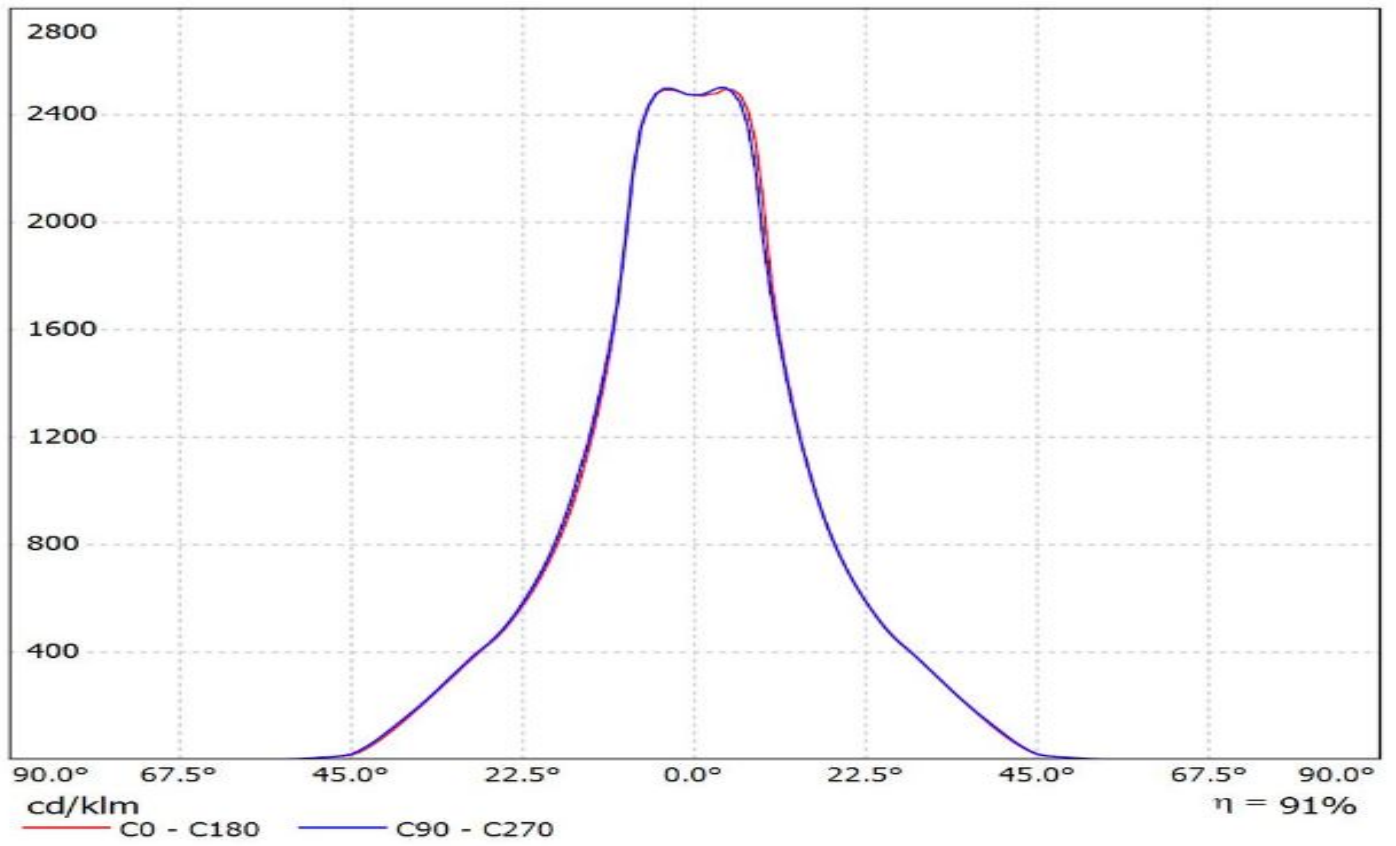
Lamps: 1 x CITIZEN_CLU730_(C12692_LENA-STD-BASE-CLL040)_1247.17lm@250mA_P=8.5W_I=0.25A



Ledil CN12706_LENINA-S_(CoB_1216) / LDC (Linear)

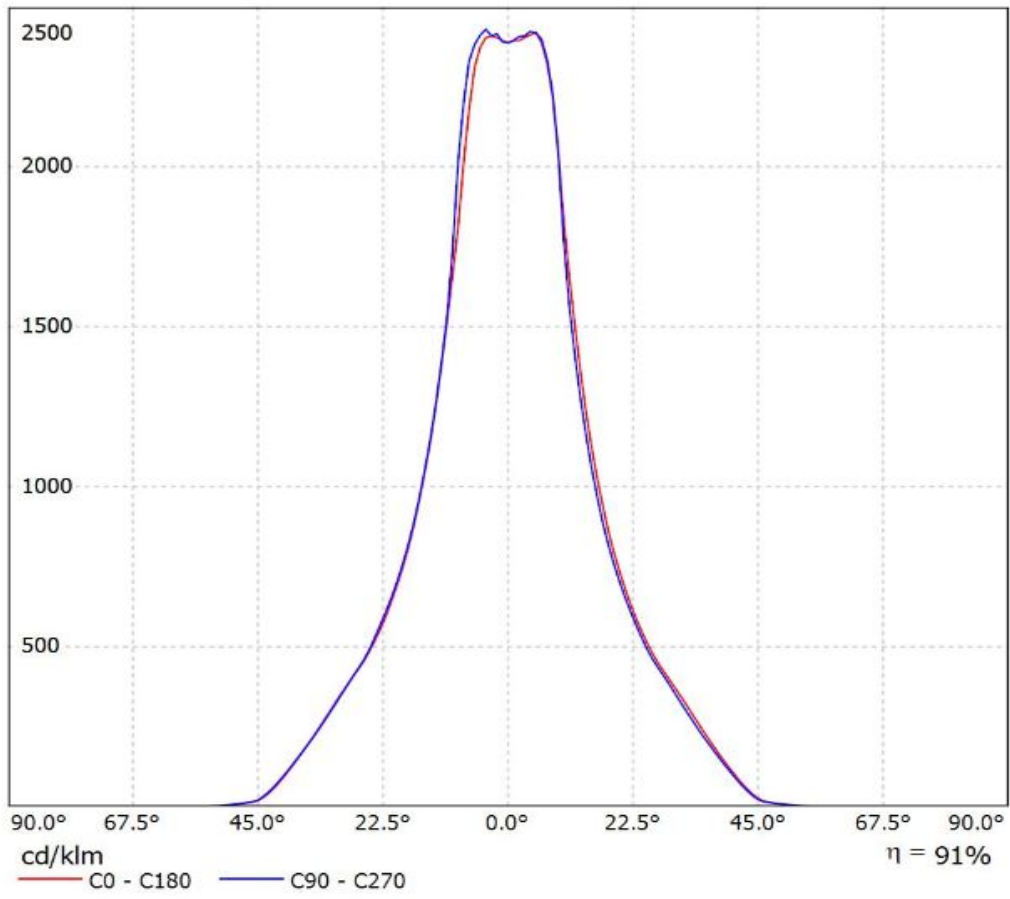
Luminaire: Ledil CN12706_LENINA-S_(CoB_1216)

Lamps: 1 x Luxeon_CoB_1216_(L2C2-40801216E2300)_1399.08lm@250mA_P=8.00375W_I=0.25A



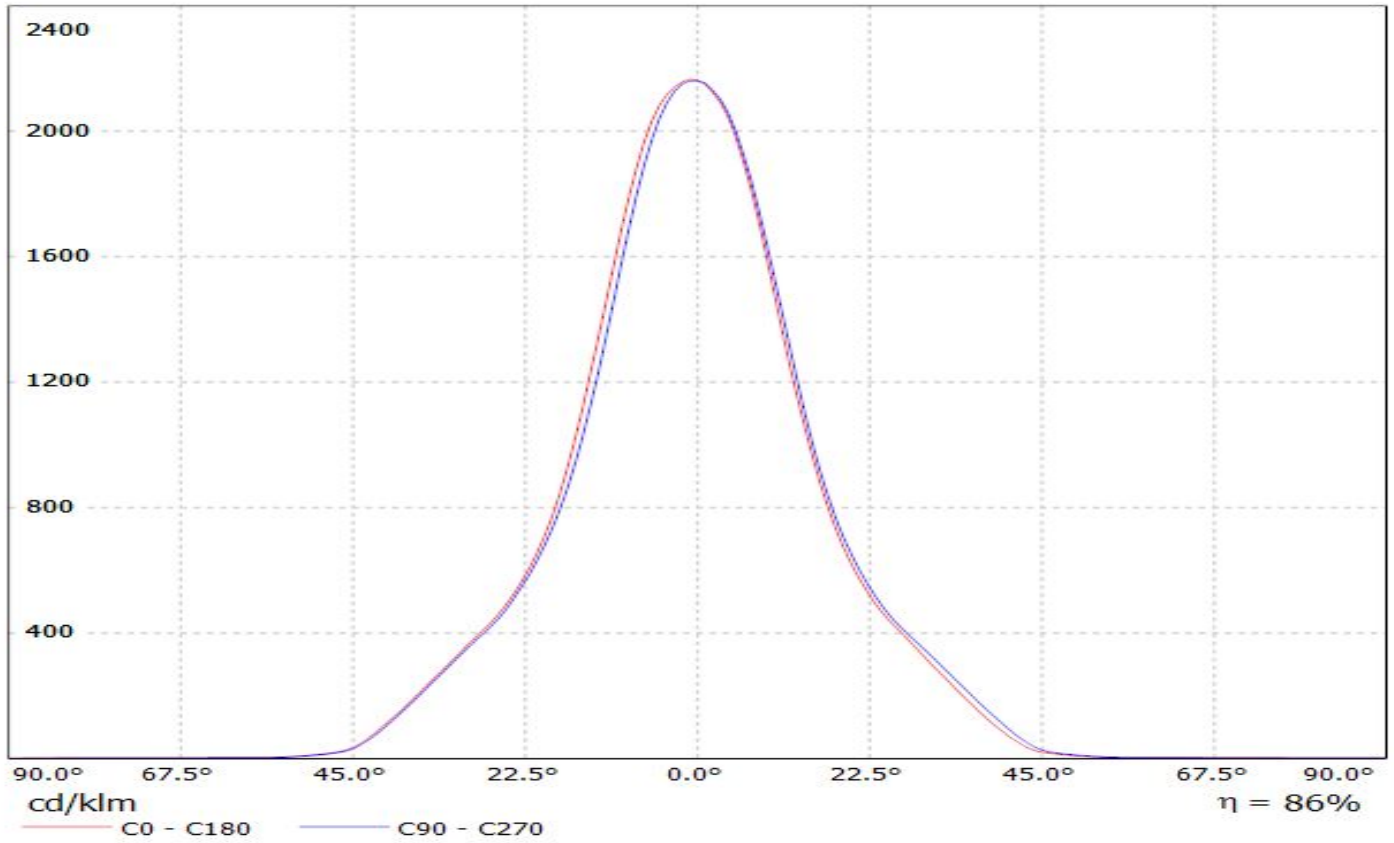
Luminaire: Ledil CN12706_LENINA-S_(COB_D_LES_22mm)

Lamps: 1 x Samsung_COB_D_LES_22mm_(SPHWHAHDNK25YZT3D1)+C12692_1511.79lm@250mA_CCT=4000K_P=8.0675W_I=0.250A

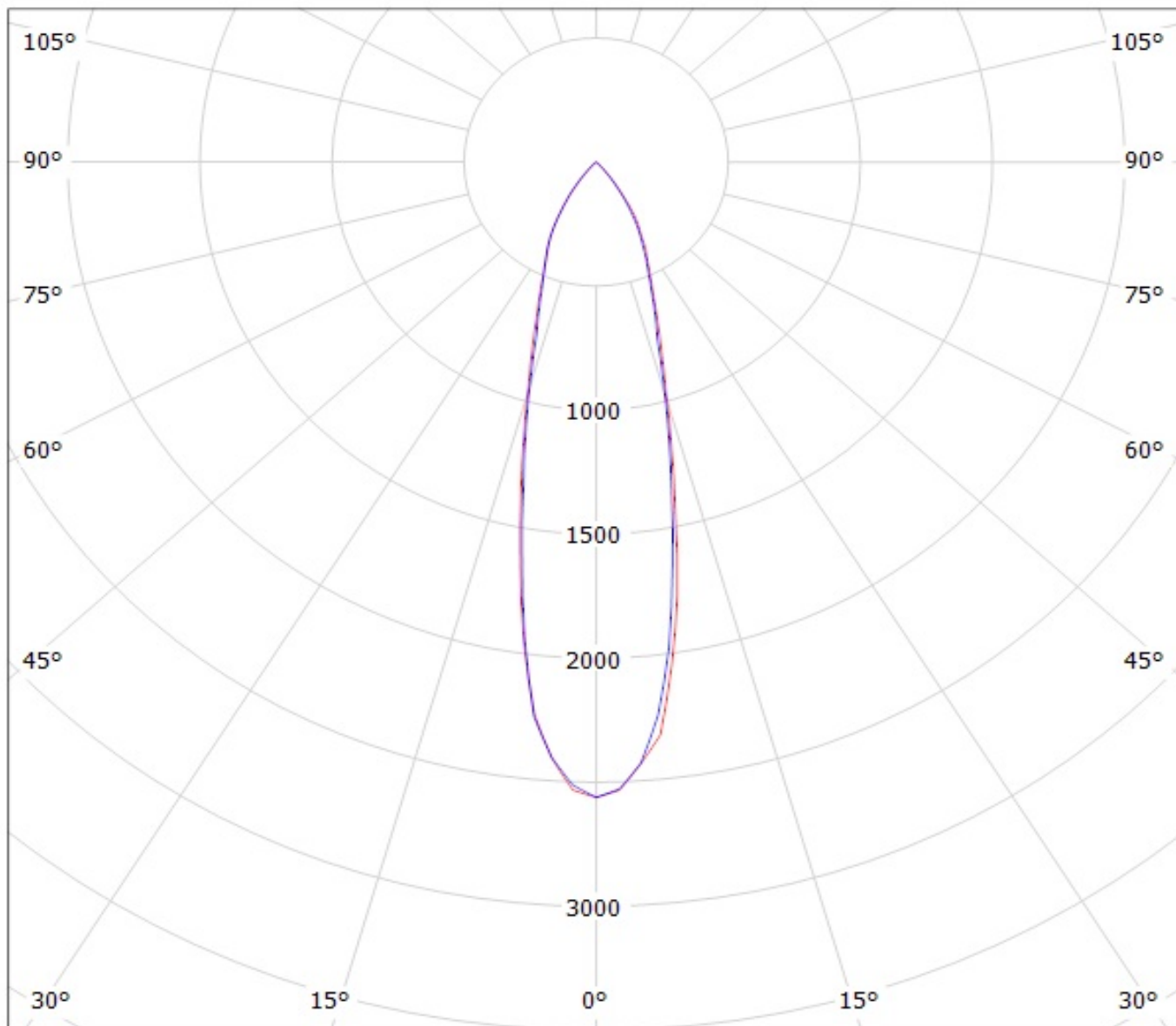


LEDiL Oy CN12706_LENINA-S_(ZC-40) Eff.86,3% / LDC (Linear)

Luminaire: LEDiL Oy CN12706_LENINA-S_(ZC-40) Eff.86,3%
Lamps: 1 x SEOUL_ZC-40 (1233.37lm@250mA)



Luminaire: Ledil Oy CN12706_LENINA-S (Citizen CLL040-1818 1044lm @ 250mA) Efficiency=86%
Lamps: 1 x Citizen CLL040-1818 1044lm @ 250mA



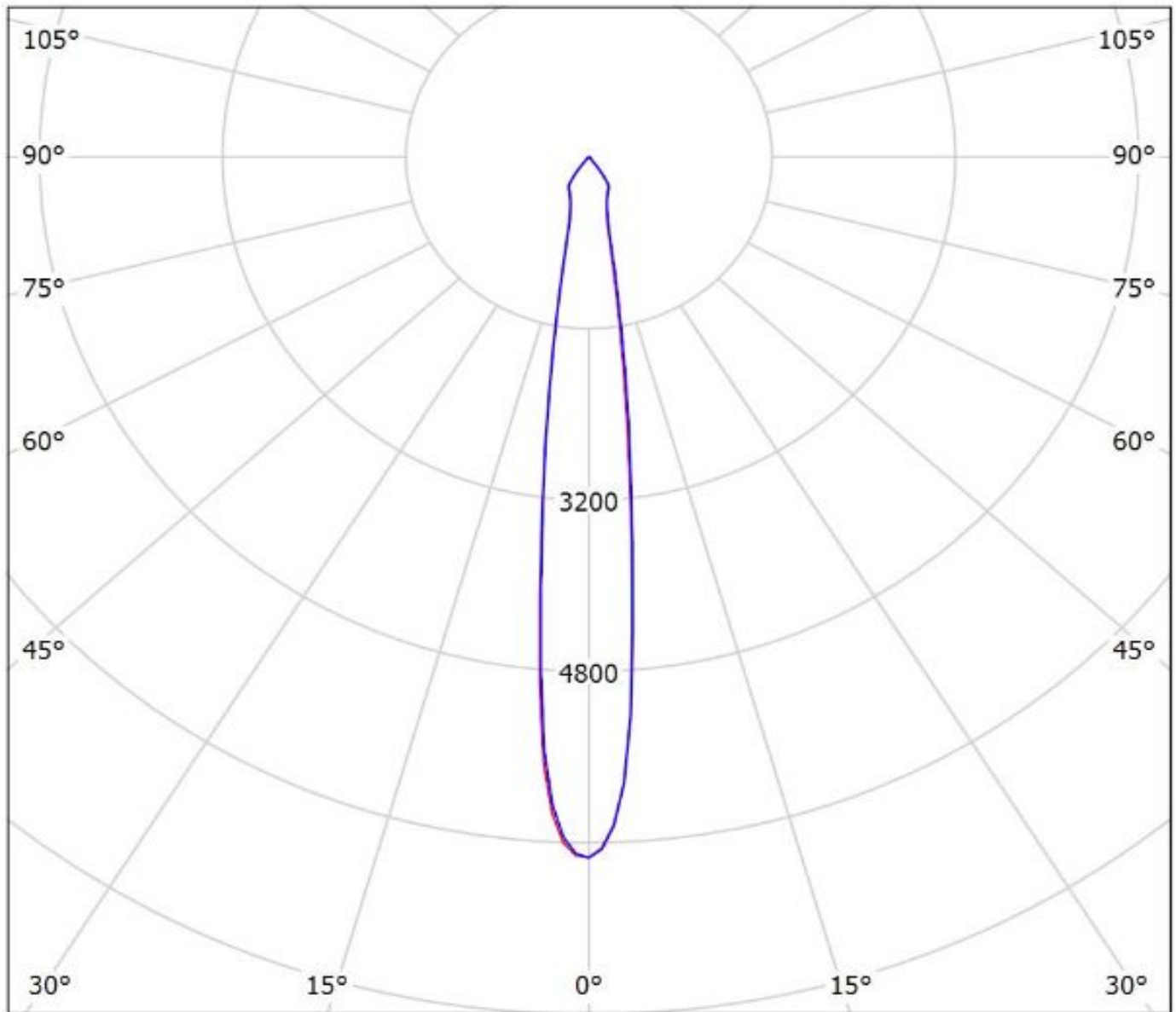
cd/klm

— C0 - C180

— C90 - C270

Luminaire: Ledil CN12706_LENINA-S_(CLU730)

Lamps: 1 x CITIZEN_CLU730_(C12692_LENA-STD-BASE-CLL040)_1247.17lm@250mA_P=8.5W_I=0.25A



cd/klm

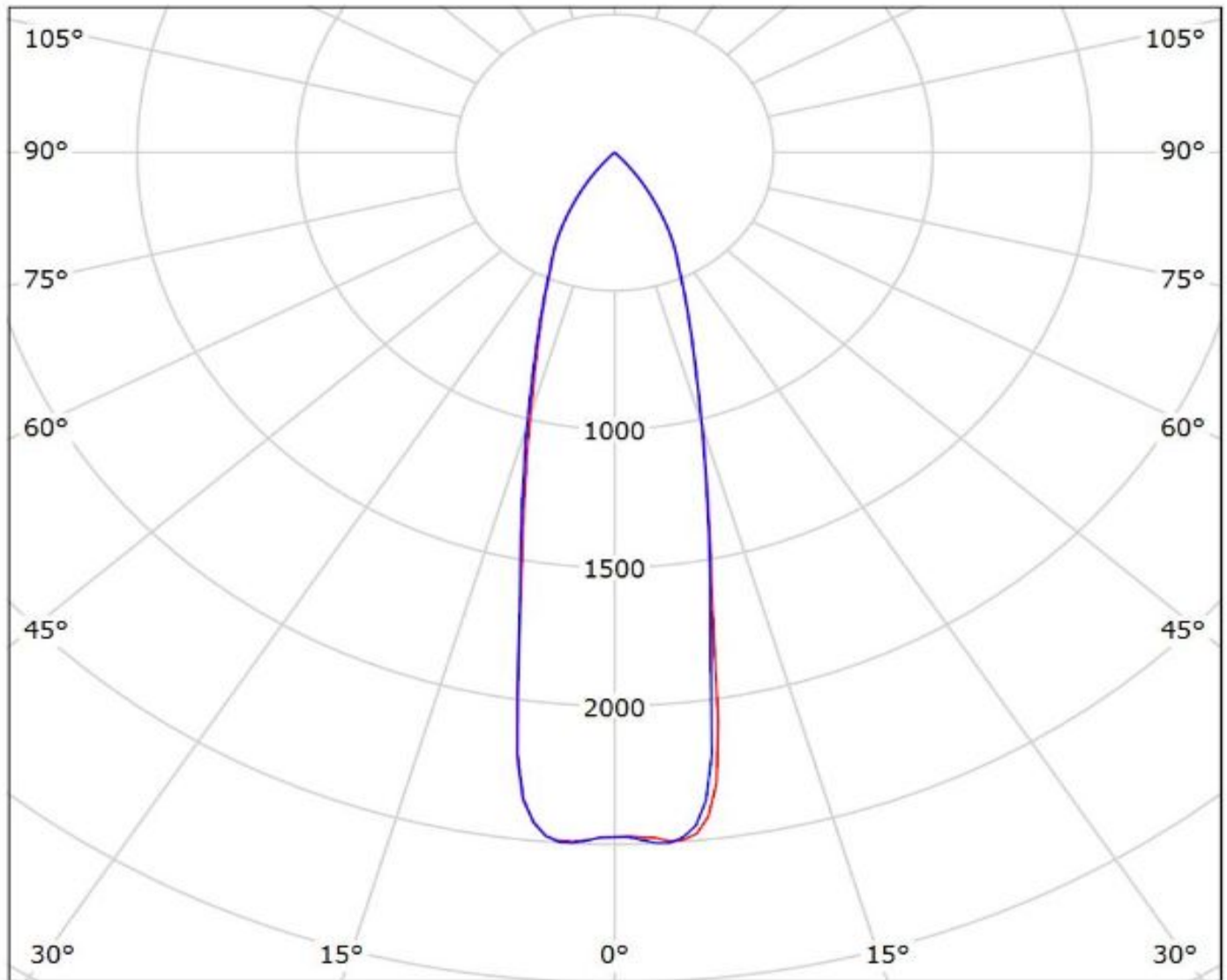
— C0 - C180 — C90 - C270

$\eta = 94\%$

Ledil CN12706_LENINA-S_(CoB_1216) / LDC (Polar)

Luminaire: Ledil CN12706_LENINA-S_(CoB_1216)

Lamps: 1 x Luxeon_CoB_1216_(L2C2-40801216E2300)_1399.08lm@250mA_P=8.00375W_I=0.25A



cd/klm

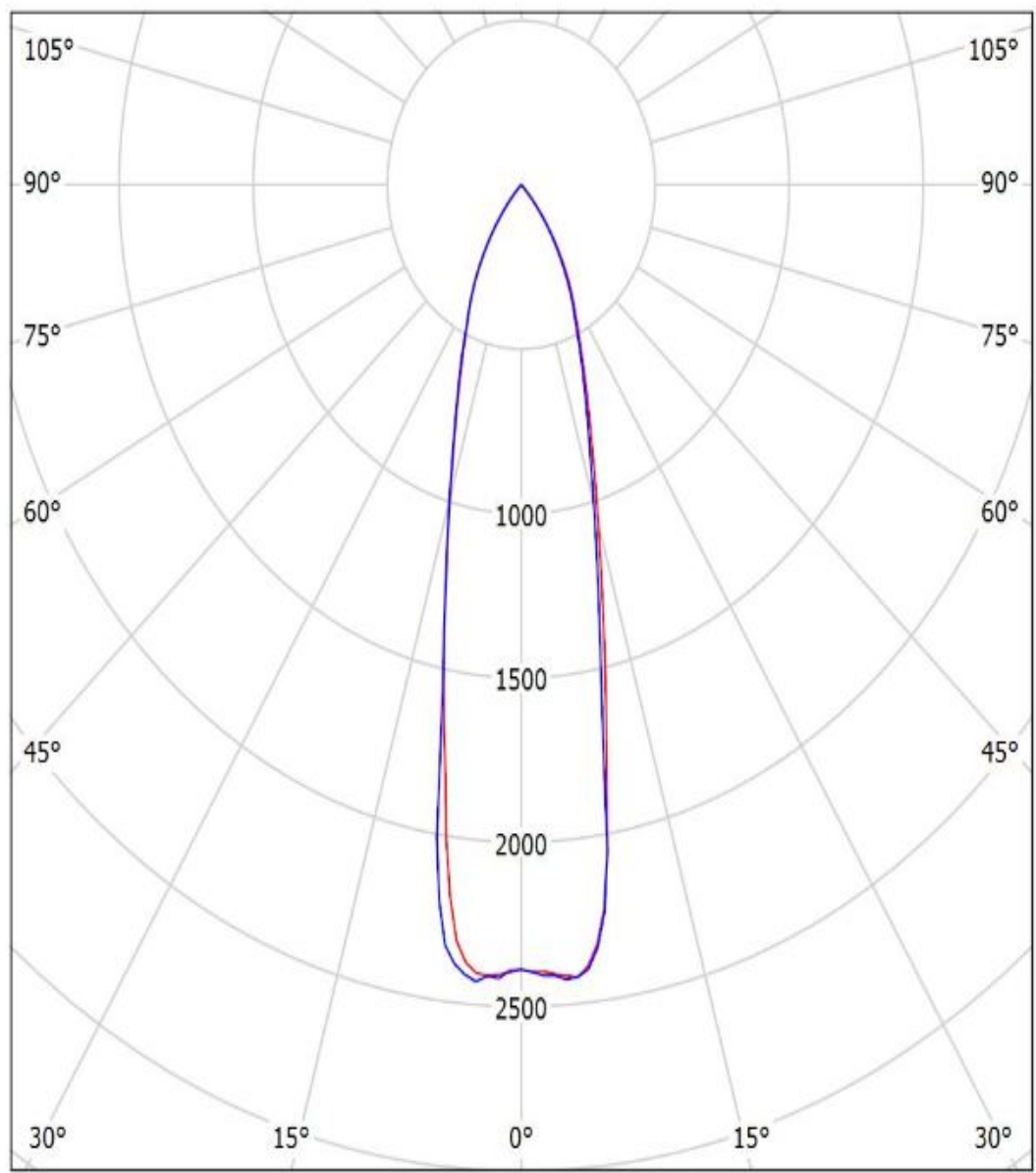
— C0 - C180

— C90 - C270

$\eta = 91\%$

Luminaire: Ledil CN12706_LENINA-S_(COB_D_LES_22mm)

Lamps: 1 x Samsung_COB_D_LES_22mm_(SPHWAHDNK25YZT3D1)+C12692_1511.79lm@250mA_CCT=4000K_P=8.0675W_I=0.250A



cd/klm

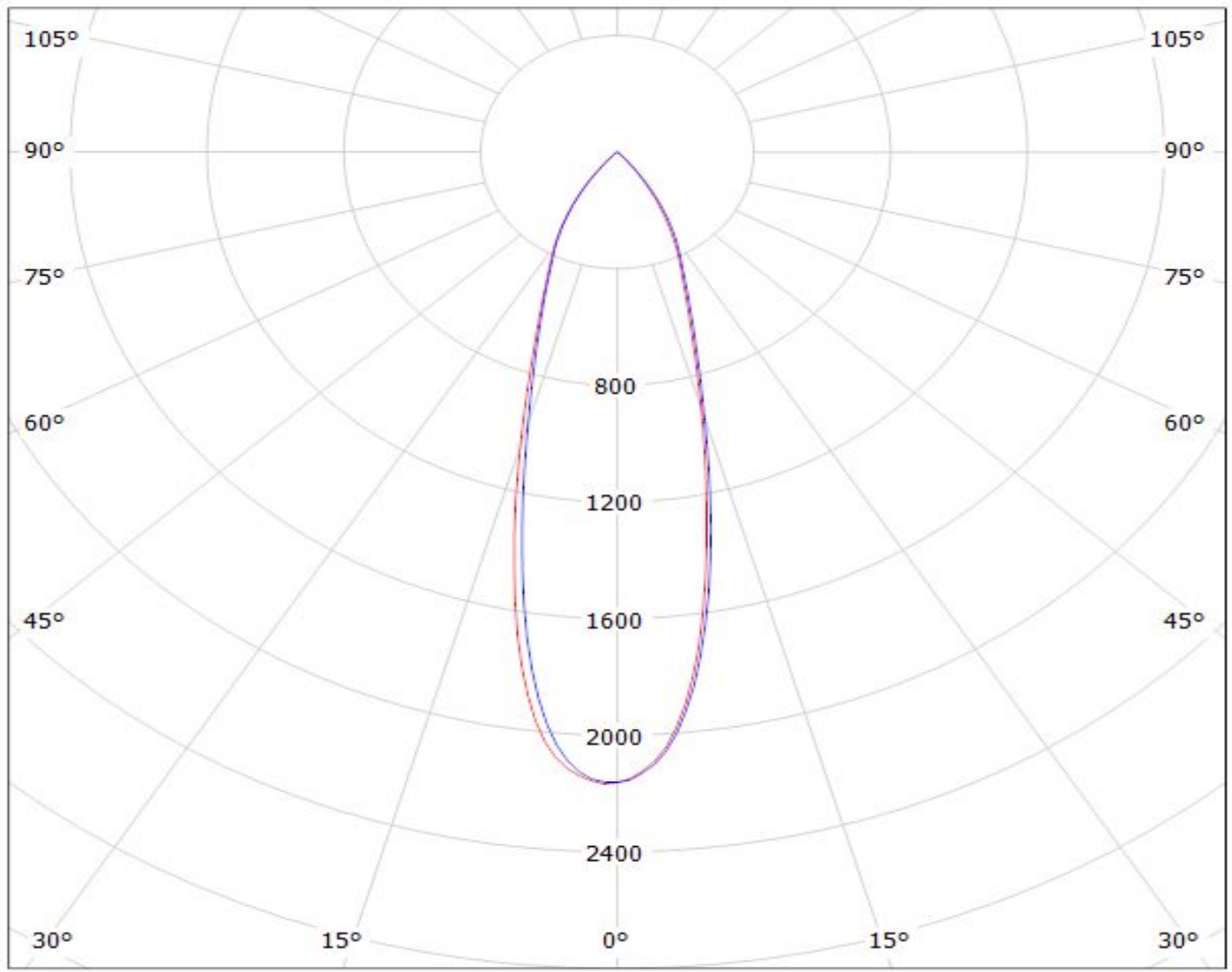
— C0 - C180 — C90 - C270

$\eta = 91\%$

LEDiL Oy CN12706_LENINA-S_(ZC-40) Eff.86,3% / LDC (Polar)

Luminaire: LEDiL Oy CN12706_LENINA-S_(ZC-40) Eff.86,3%

Lamps: 1 x SEOUL_ZC-40 (1233.37lm@250mA)



cd/klm

— C0 - C180

— C90 - C270

$\eta = 86\%$

NOTE: The typical divergence will be changed by different color, chip size and chip position tolerance. The typical total divergence is the full angle measured where the luminous intensity is half of the peak value.

GENERAL INFORMATION

- Product series especially designed & optimized for series of LEDs.
- Special care taken to make light distribution as uniform as possible.

Note! Due to use of high power COB's with this product, special attention to proper thermal design is highly recommended. LEDiL has no liability for direct, indirect or consecutive damages arising from the LEDiL products being used outside of the recommended temperature range.