

NOTES: (b)

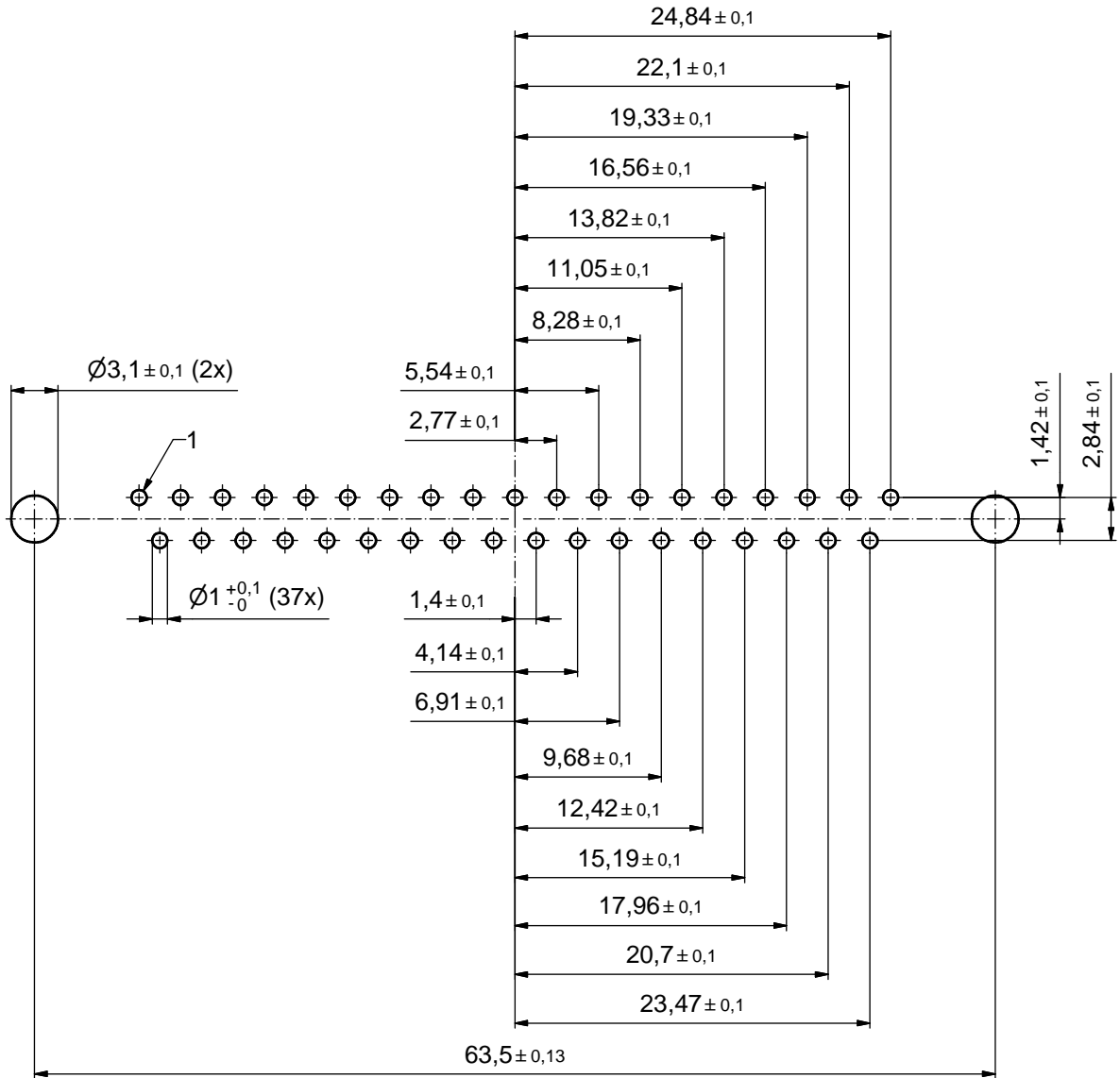
1. METALSHELLS: STEEL; min. 315µm TIN over 40-80µm NICKEL
2. INSULATORS: PBT GF UL 94 V-0, BLACK
3. CONTACTS: COPPER ALLOY; PLATING (SEE PART NO.):
 - PLEASE ADD A for GOLD FLASH over NICKEL (PREFERRED TYPE)
 - PLEASE ADD B for 20µm HARD GOLD over min. 50µm NICKEL
 - PLEASE ADD C for 30µm HARD GOLD over min. 50µm NICKEL
4. THREADED SPACER CLIPS:
 - COPPER ALLOY; min. 200µm TIN over 80µm NICKEL
 - PCB-HOLE: $\varnothing 3.1 \pm 0.1$; PCB THICKNESS 1.6mm
5. COLLARS: COPPER ALLOY; min. 200µm TIN over 80µm NICKEL
6. P.C.B. HOLE DRILLINGS ON SHEET 2
7. MAXIMUM TORQUE VALUE FOR THREAD: 6 in.LB
8. CONNECTOR IS PART MARKED: 163□16239X CONEC ABC (see note 3)

Directive 2002/95/EC RoHS compliant

THIS DRAWING MAY NOT BE COPIED OR REPRODUCED IN ANY WAY, AND MAY NOT BE PASSED ON TO A THIRD PARTY WITHOUT WRITTEN PERMISSION. OWNERSHIP AND COPYRIGHT OF CONEC GmbH DO NOT ALTER CAD DRAWING BY HAND	tolerance			dim. in mm	scale: 2:1 (5:1)
	date				material: see notes
	name			title: D-SUB MALE 37pos. SOLDER PIN STRAIGHT with threaded spacer clip	
	drawn	02.09.2014	Heinrich		
	appd.		Lehmenkühler		
norm			dwg no:		
d-old			16K1A914		
5 x b	A5325	02.09.2014	Heinrich	(b) 16K1A3510	
a	Original			DIN-A3 sh: 1/2	
rev.	description	date	name	part no: (b) 163□16239X (see note 3)	

CONEC®

P.C.B. HOLE DRILLINGS
(P.C.B. TOP SIDE)



THIS DRAWING MAY NOT BE COPIED OR REPRODUCED IN ANY WAY, AND MAY NOT BE PASSED ON TO A THIRD PARTY WITHOUT WRITTEN PERMISSION. OWNERSHIP AND COPYRIGHT OF CONEC GmbH DO NOT ALTER CAD DRAWING BY HAND				tolerance		scale: 3:1	
				dim. in mm		material: see sheet 1	
				date	name	title:	
				drawn 02.09.2014	Heinrich	P.C.B. HOLE DRILLINGS	
				appd.	Lehmenkühler	D-SUB MALE 37pos. SOLDER PIN STRAIGHT with threaded spacer clip	
				norm		dwg no:	
				d-old		16K1A3510	
a	Original		CONEC ®			DIN-A3	
rev.	description	date				name	sh: 2/2
					part no:	SEE SHEET 1	