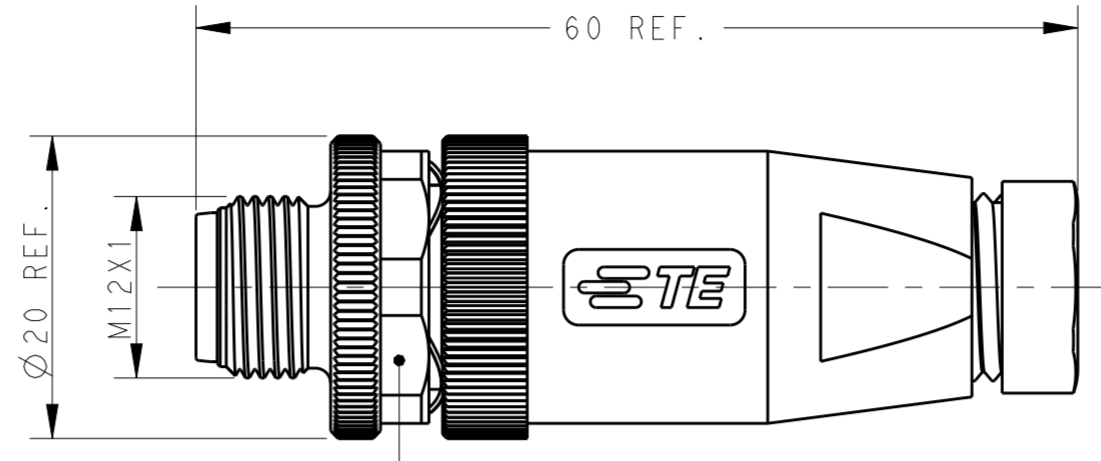
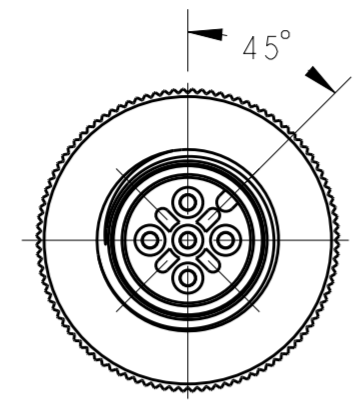
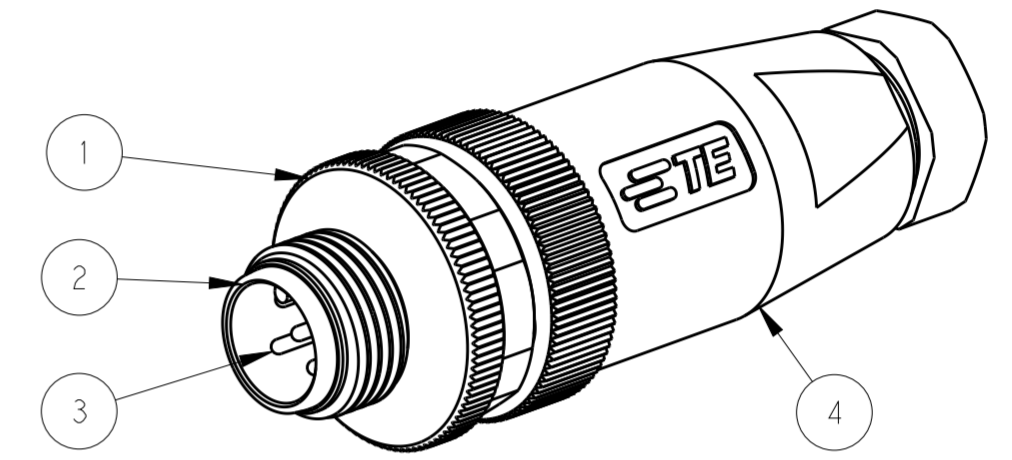


THIS DRAWING IS UNPUBLISHED. RELEASED FOR PUBLICATION 20
 © COPYRIGHT 20 BY - ALL RIGHTS RESERVED.

REVISIONS				
P	LTR	DESCRIPTION	DATE	APVD
A		INITIAL RELEASE	29DEC2015	NP XX
A1		ECR-15-012625	29DEC2015	NP XX
A2		ECR-15-018715 ADD 114 SEPC.	01JAN2016	NP XX



SW18
RECOMMENDED TORQUE 0.6 Nm

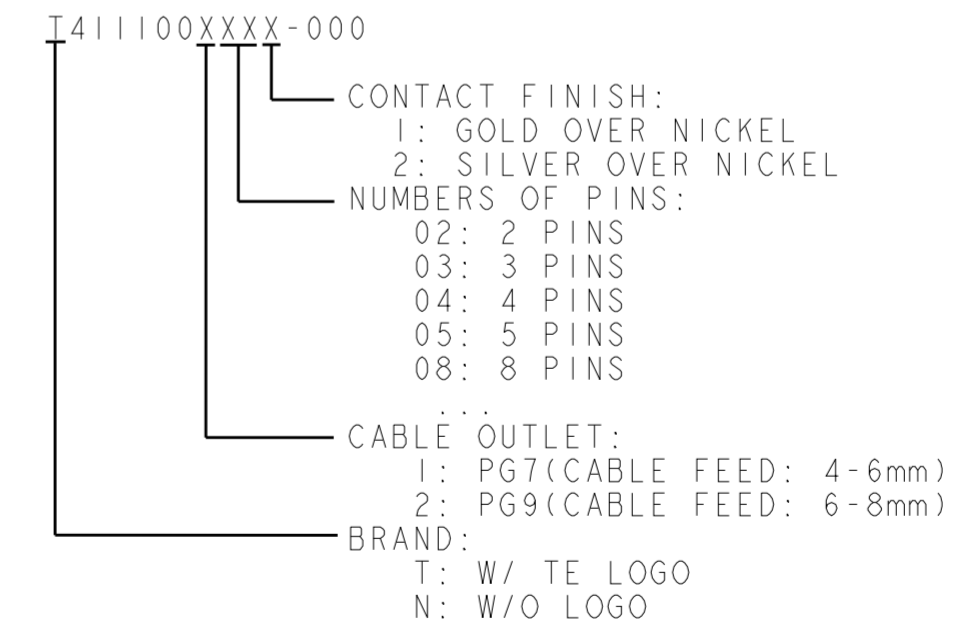


TECHNICAL DATA	T411100X02X-000	T411100X03X-000	T411100X04X-000	T411100X05X-000	T411100X08X-000
RATED VOLTAGE	250V	250V	250V	60V	30V
RATED CURRENT	4A	4A	4A	4A	2A
POLLUTION DEGREE	3	3	3	3	3
OVERVOLTAGE CATEGORY	II	II	II	II	II
MATERIAL GROUP	II	II	II	II	II
CONTACT RESISTANCE	≤8mΩ	≤8mΩ	≤8mΩ	≤8mΩ	≤8mΩ
INSULATION RESISTANCE	>100MΩ	>100MΩ	>100MΩ	>100MΩ	>100MΩ
DEGREE OF PROTECTION	IP67	IP67	IP67	IP67	IP67
OPERATION TEMPERATURE	-40~85°C	-40~85°C	-40~85°C	-40~85°C	-40~85°C

- NOTE:
- MATERIAL:
 - ITEM NO.1: NUT -BRASS
 - ITEM NO.2: HOUSING -PA
 - ITEM NO.3: CONTACT -BRASS
 - ITEM NO.4: HOUSING BODY: -PBT+GF
 - CONTACT FINISH:
 - GOLD OVER NICKEL OR SILVER OVER NICKEL
 - CABLE WIRES:
 - 18AWG/0.75mm² Max. FOR 2-5 PINS
 - 20AWG/0.50mm² Max. FOR 8 PINS
 - ALLDIMENSIONS ARE FOR NOMINAL REFERENCE ONLY UNLESS OTHERWISE STATED
 - PACKAGEING: IPIECE IN A BAG
 - PN INFORMATION

PIN ARRANGEMENT A-CODE		
T411100X02X-000	T411100X03X-000	T411100X04X-000

T4111002081-000	RPC-M12A-MS-8CON-PG9-MU
T4111002082-000	RPC-M12A-MS-8CON-PG9-M
T4111001081-000	RPC-M12A-MS-8CON-PG7-MU
T4111001082-000	RPC-M12A-MS-8CON-PG7-M
T4111002051-000	RPC-M12A-MS-5CON-PG9-MU
T4111001051-000	RPC-M12A-MS-5CON-PG7-MU
T4111002052-000	RPC-M12A-MS-5CON-PG9-M
T4111001052-000	RPC-M12A-MS-5CON-PG7-M
T4111002041-000	RPC-M12A-MS-4CON-PG9-MU
T4111001041-000	RPC-M12A-MS-4CON-PG7-MU
T4111002042-000	RPC-M12A-MS-4CON-PG9-M
T4111001042-000	RPC-M12A-MS-4CON-PG7-M
T4111002031-000	RPC-M12A-MS-3CON-PG9-MU
T4111001031-000	RPC-M12A-MS-3CON-PG7-MU
T4111002032-000	RPC-M12A-MS-3CON-PG9-M
T4111001032-000	RPC-M12A-MS-3CON-PG7-M
T4111002021-000	RPC-M12A-MS-2CON-PG9-MU
T4111001021-000	RPC-M12A-MS-2CON-PG7-MU
T4111002022-000	RPC-M12A-MS-2CON-PG9-M
T4111001022-000	RPC-M12A-MS-2CON-PG7-M
TE PN	TYPE



THIS DRAWING IS A CONTROLLED DOCUMENT.		DWN HAO WANG 08OCT2015	TE Connectivity	
DIMENSIONS: mm		CHK KOBBY ZHAO 08OCT2015		
TOLERANCES UNLESS OTHERWISE SPECIFIED:		APVD XIANG XU 08OCT2015	NAME M12 MALE, A CODE, STRAIGHT UNSHIELDED CONNECTOR SCREW TERMINAL	
0 PLC ±0.2		PRODUCT SPEC 108-106140	SIZE A2	
1 PLC ±0.2		APPLICATION SPEC 114-137144	CAGE CODE -	
2 PLC ±0.2		WEIGHT -	DRAWING NO. C-T411100XXXX000	
3 PLC ±		Customer Drawing	RESTRICTED TO -	
4 PLC ±		SCALE 2:1	SHEET 1 OF 1	
ANGLES ±			REV A2	
FINISH -				