

**P/N: H4P041XC DATA SHEET**

Page : 1/1

Feature

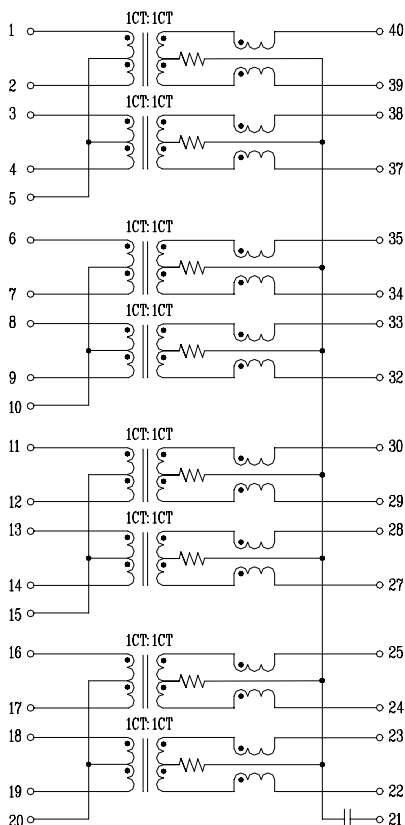
- Magnetic designs to support every PHY.
- Complies with IEEE 802.3 standards including 350 uH min OCL with 8mA bias.
- Operating temperature range: 0°C to +70°C.
- Storage temperature range: -25°C to +125°C.

Electrical Specifications @ 25°C

| Part Number | Turns Ratio (±3%) | | OCL (uH Min) @100KHz/0.1V with 8mA DC Bias | Insertion Loss (dB Max) 1-100MHz | HI-POT (Vrms) 1500 |
|-------------|----------------------|---------|--|--|--------------------------|
| | TX | RX | | | |
| H4P041XC | 1CT:1CT | 1CT:1CT | 350 | -1.2 | 1500 |

Continue

| Part Number | Return Loss (dB Min)TX/RX | | | Cross talk (dB Min)TX/RX | | | CMR (dB Min)TX/RX | | |
|-------------|------------------------------|-------|-------|-----------------------------|----------|-----------|----------------------|----------|-----------|
| | 30MHz | 50MHz | 80MHz | 0.3-30MHz | 30-60MHz | 60-100MHz | 1-30MHz | 30-60MHz | 60-125MHz |
| H4P041XC | -15 | -13 | -11 | -40 | -35 | -30 | -30 | -25 | -20 |

Schematic**Mechanical**