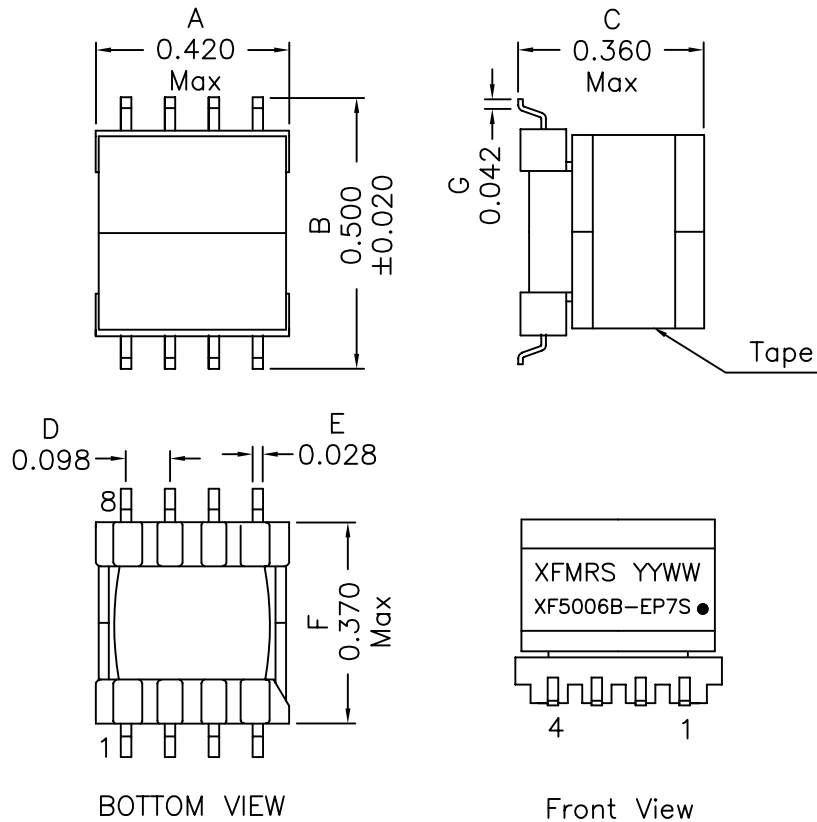


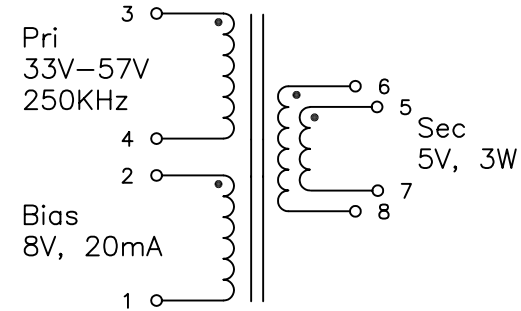
1. Mechanical Dimensions:



Notes:

- Solderability: Leads shall meet MIL-STD-202G, Method 208H for solderability.
- Flammability: UL94V-0
- ASTM oxygen index: > 28%
- Insulation System: Class F 155°C. UL file E151556
- Operating Temperature Range: All listed parameters are to be within tolerance from -40°C to +85°C
- Storage Temperature Range: -55°C to +125°C
- Aqueous wash compatible
- SMD Lead Coplanarity: ±0.004" (0.102mm)
- Electrical and mechanical specifications 100% tested
- RoHS Compliant Component

2. Schematic:



*Secondary windings to be connected in parallel on PC board

3. Electrical Specifications: @25C

OCL: Pins 3-4 500uH±10% @250KHz 0.1V, 0Adc

Q: Pins 3-4 TBD Min @250KHz 0.1V

LL: Pins 3-4 7.5uH Max @250KHz 0.1V, Short All Else

DCR: Pins 3-4 1.75 Ohms Max

Pins 2-1 0.215 Ohms Max

Pins 6-8 0.035 Ohms Max

Turns Ratio: Pins (3-4):(6-8):(5-7):(2-1)=

1.00:0.125:0.125:0.208

Isolation: 1500Vac, Pri & Bias to Sec

DOC. REV: A/1

PROPRIETARY

Document is the property of XFMRS Group & is not allowed to be duplicated without authorization.

XFMRS Inc www.XFMRS.com	Title: TRANSFORMER		
	UNLESS OTHERWISE SPECIFIED	P/N: XF5006B-EP7S	REV. A
TOLERANCES: .xxx ±0.010	DWN.	Mei Chen	May-31-12
Dimensions in INCH	CHK.	YK Liao	May-31-12
SHT 1 OF 1	APP.	BW	May-31-12