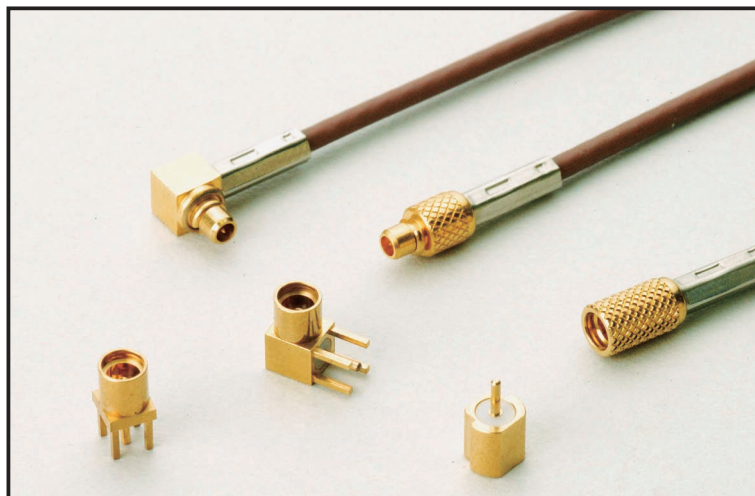


Micro-Miniature Coaxial Connectors

MMCX Series

DDK Ltd.



Characteristic Impedance

50 Ω

Lock Type

Push on

Mounting Type

DIP, SMT

OUTLINE

MMCX series is a micro-miniature connector which conforms to EN122340 with a lock-snap mechanism for a micro coaxial cable. It is suitable for the limited space. A range of connectors is available including surface mount (SMT), straight and right angle connectors. This family of products is VSWR 1.2 max. at DC to 6GHz.

APPLICATIONS

Antenna, Base Station, GPS(Global Positioning System), Telecommunication, Wireless Application, Wireless LAN

SPECIFICATIONS

Characteristic Impedance	50 Ω
Rated Voltage	335VAC(r.m.s.)
Dielectric Withstanding Voltage	500V AC(r.m.s.)for1 minute
Insulation Resistance	1.000M Ω Mim. at 500V DC
Contact Resistance	Center Contact 5m Ω Max. Outer Contact 2.5m Ω Max.
Frequency Range	DC to 6GHz
V.S.W.R	1.2 Max.
Operating Temperature	-55 ~ +85°C

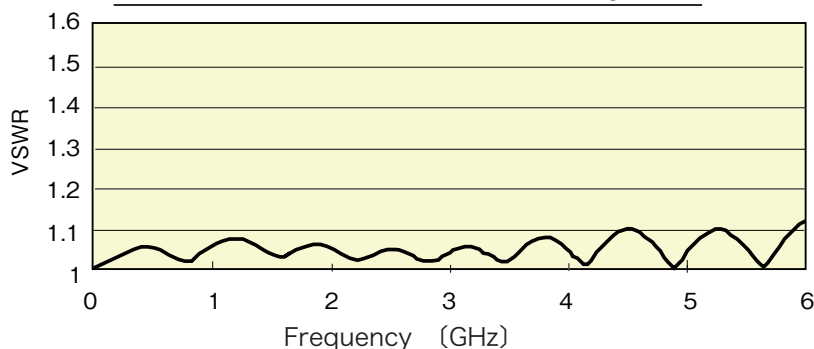
MATERIAL/FINISH



Description	Material/Finish
Contact	Copper Alloy / Au Plating
Outer Conductor	Copper Alloy / Au Plating
Ferrule	Copper Alloy / Ni Plating
Insulator	PTFE

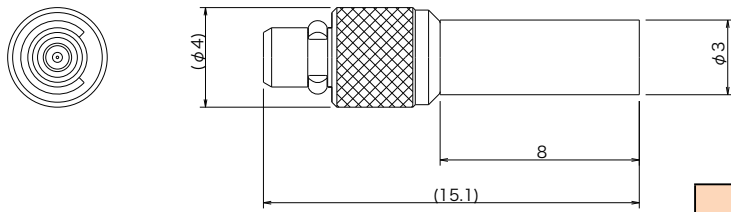
* The specifications are typical but may not apply to all connectors. Please check the specifications on each item with its drawing from us when you use.

MMCX-SP-178BU-CR1
Double Ended Cable Assembly

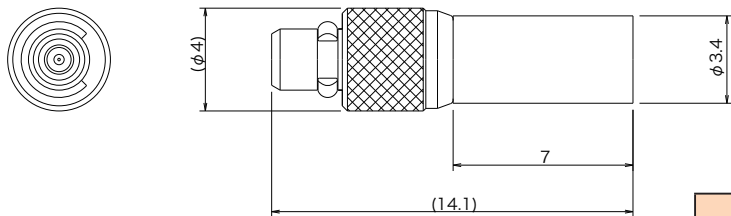


© Please acknowledge that the specification etc. of this catalog might change by the improvement etc. without a previous notice. Moreover, the characteristic and the specification of the published product are the reference values. Please confirm the content with the latest delivery specifications when you use the product.

▶ Straight Plug Connectors

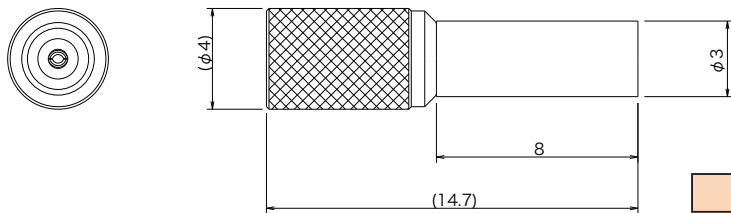


P / N	Applicable Cable
MMCX-SP-178BU-CR1	RG-178B/U

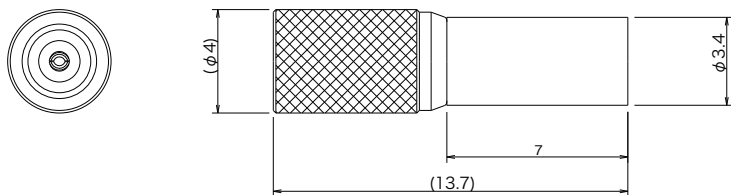


P / N	Applicable Cable
MMCX-SP-188AU-CR1	RG-188A/U

▶ Straight Jack Connectors



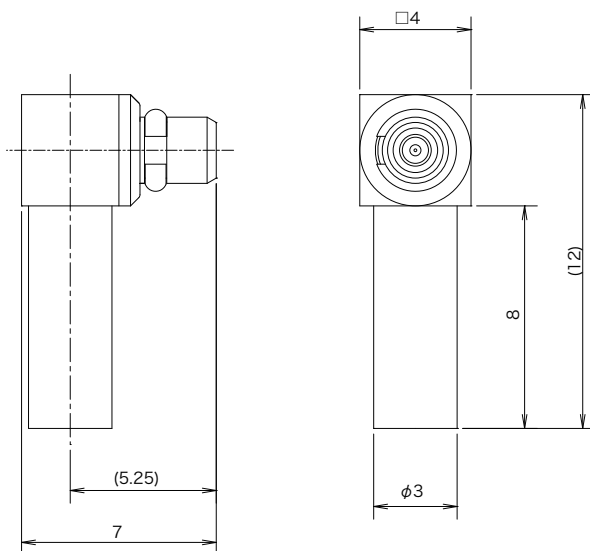
P / N	Applicable Cable
MMCX-SJ-178BU-CR1	RG-178B/U



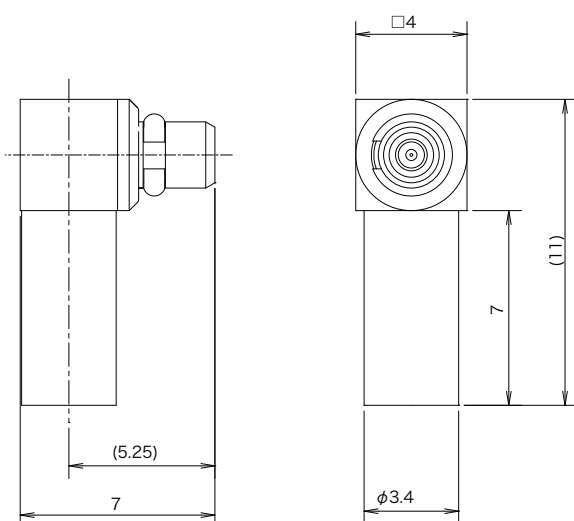
P / N	Applicable Cable
MMCX-SJ-188AU-CR1	RG-188A/U

© Please acknowledge that the specification etc. of this catalog might change by the improvement etc. without a previous notice.
 Moreover, the characteristic and the specification of the published product are the reference values.
 Please confirm the content with the latest delivery specifications when you use the product.

▶ Right Angle Connectors



P / N	Applicable Cable
MMCX-LP-178BU-CR1	RG-178B/U

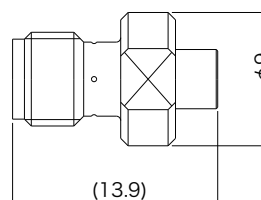
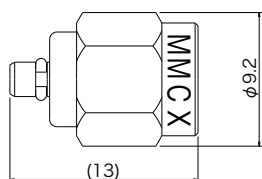


P / N	Applicable Cable
MMCX-LP-188AU-CR1	RG-188A/U

▶ Conversion Adapter Connectors

P/N : DMP-SA-MMCXP

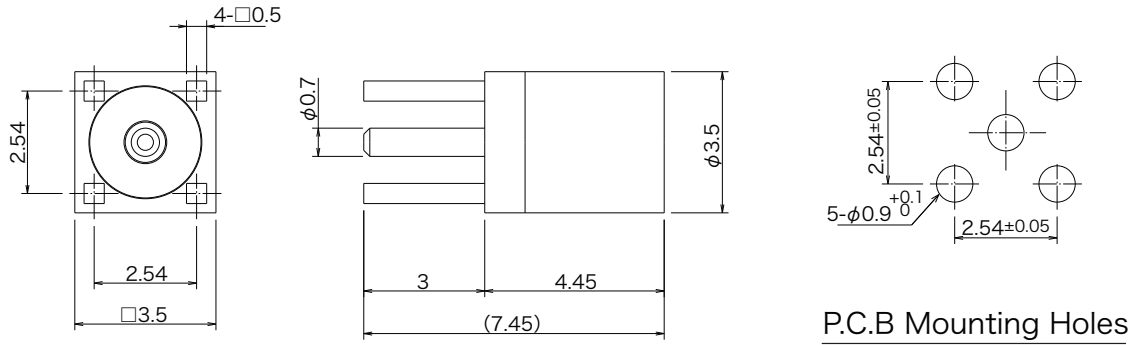
P/N : DMJ-SA-MMCXJ



© Please acknowledge that the specification etc. of this catalog might change by the improvement etc. without a previous notice.
 Moreover, the characteristic and the specification of the published product are the reference values.
 Please confirm the content with the latest delivery specifications when you use the product.

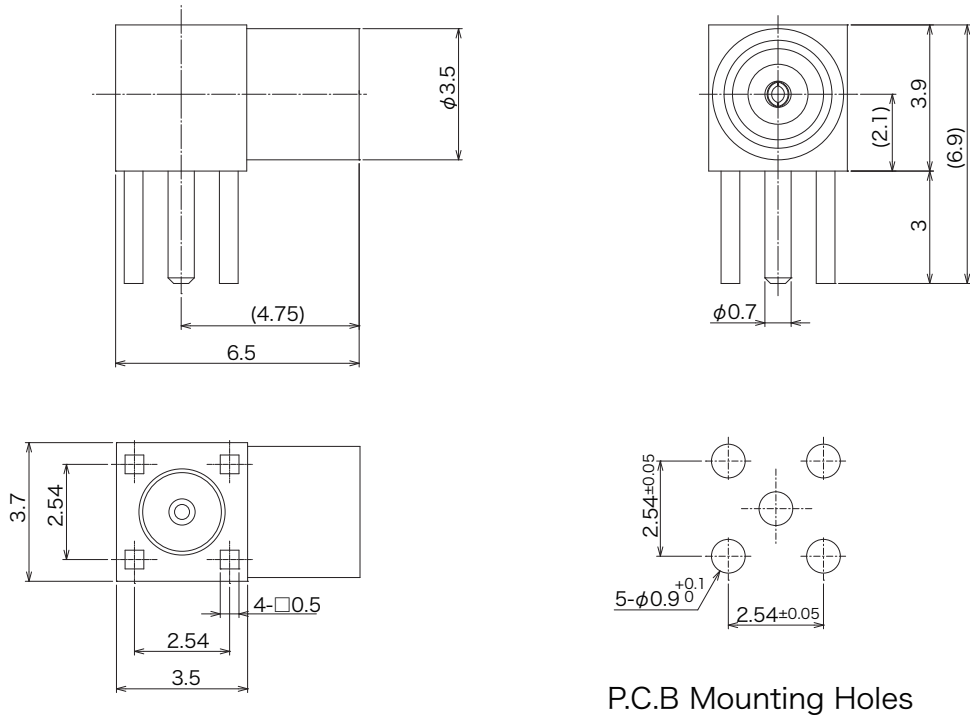
▶ Straight Receptacle Connectors

P/N : MMCX-SR-PC



▶ Right Angle Receptacle Connectors

P/N : MMCX-LR-PC



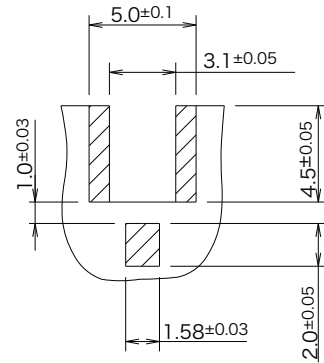
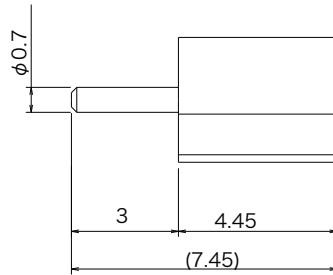
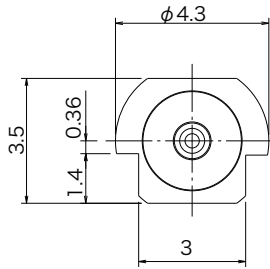
© Please acknowledge that the specification etc. of this catalog might change by the improvement etc. without a previous notice.
 Moreover, the characteristic and the specification of the published product are the reference values.
 Please confirm the content with the latest delivery specifications when you use the product.

▶ Right Angle Receptacle Connectors

P/N : MMCX-LR-PS

P / N	Contact	Outer Conductor	Packaging style	Quantity
MMCX-LR-PS	Au	Au	Tray	1 pcs
MMCX-LR-PS-1000			Embossed packaging (1000pcs / reel)	1 reel

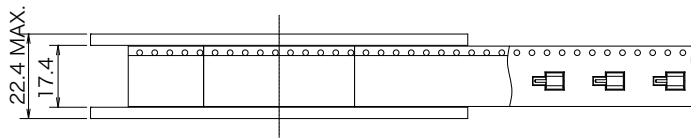
※ SMT-ready coaxial connector.



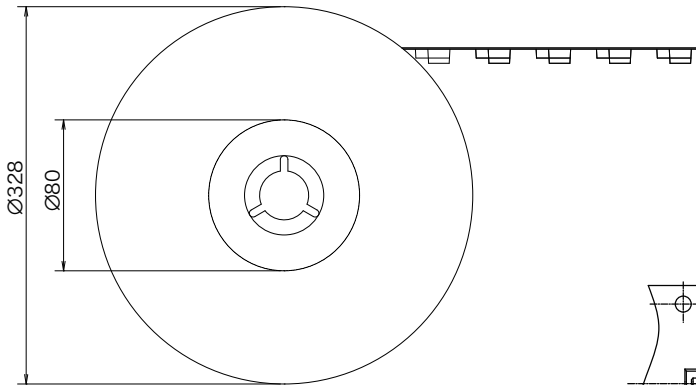
P.C.B Pattern

▶ Packaging Specifications

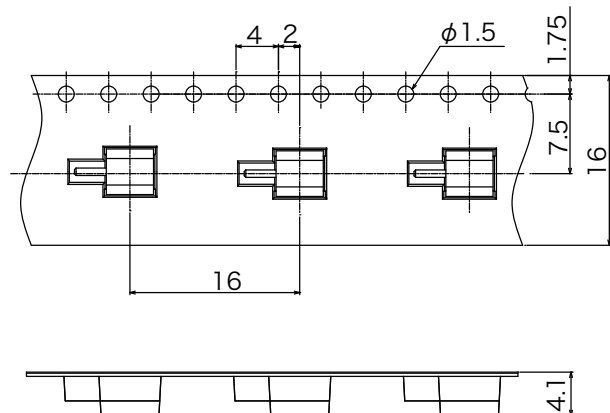
■ Reel Dimensions



User direction of feed



■ Emboss Tape Dimensions



© Please acknowledge that the specification etc. of this catalog might change by the improvement etc. without a previous notice.
 Moreover, the characteristic and the specification of the published product are the reference values.
 Please confirm the content with the latest delivery specifications when you use the product.