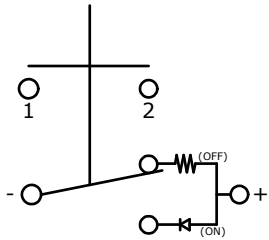
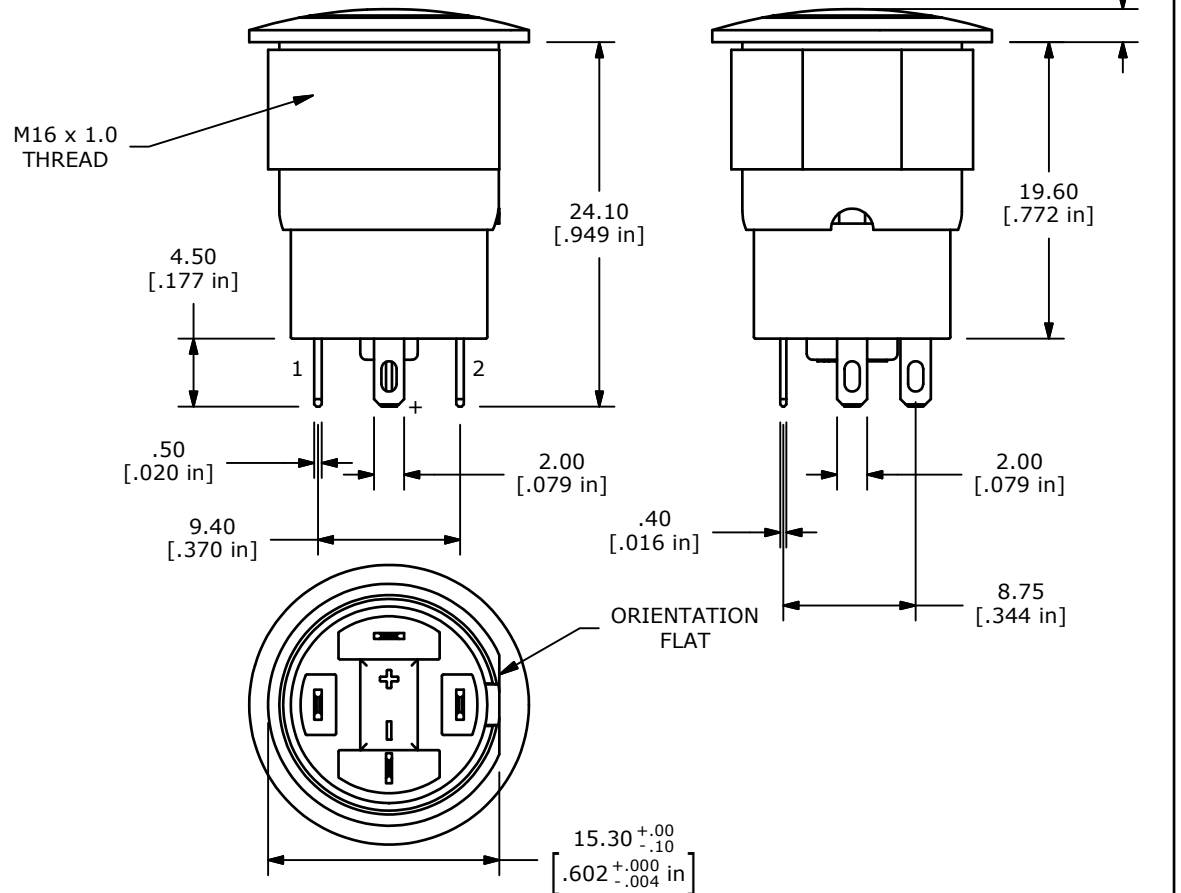
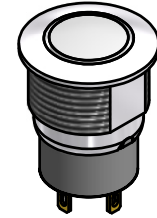
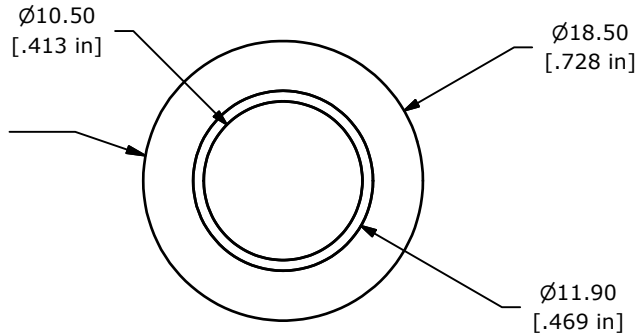


RECOMMEND  
PANEL CUT-OUT



▲ SCHEMATIC  
SPST  
(OFF - ON LATCHING)

▲ BUTTON AND  
HOUSING FINISH:  
CLEAR ANODIZED



- NOTE:
1. ALL DIMENSIONS IN MM [INCH]
  2. GENERAL TOLERANCE: X.X=±0.4  
X.XX=±0.25
  3. TERMINAL NUMBERS FOR REF ONLY
  4. CONTACT MATERIAL: COIN SILVER, GOLD FLASH PLATED
  5. RATING: 2A 36VDC
  6. ELECTRIC LIFE: 100,000 CYCLES
  7. INSULATION RESISTANCE: 1,000MΩ MIN @ 500VDC.
  8. DIELECTRIC STRENGTH: 2,000VAC MIN. FOR 1 MINUTE
  9. CONTACT RESISTANCE: 50mΩ MAX. @ 1A 12VDC
  10. OPERATING TEMP.: -20°C to 70°C
  11. TRAVEL: 2.3 ±0.40 mm
  12. OPERATING FORCE: 460 ±150 GRAMS
  13. ▲ DENOTES CRITICAL PARAMETER.
  - ▲14. ILLUMINATION COLOR: BLUE (ON POSITION)
  15. HARDWARE SUPPLIED: O-RING AND HEXNUT (NOT SHOWN)
  - ▲16. ILLUMINATION VOLTAGE RATING: 3V @ 20 mA
  17. 2011/65/EU (ROHS) COMPLIANT



TITLE PVA6LRE21241

A	22869	New Release	5/30/17	rc
REV	PCR NO	DESCRIPTION	DATE	BY

SCALE	DATE	DR	DWG	REV
2:1	3/29/2017	rc	T960100	A

THE INFORMATION CONTAINED IN THIS DOCUMENT IS PROPRIETARY  
TO E-SWITCH AND IS NOT TO BE COPIED OR TRANSFERRED