

Type 4CMC 85 °C, High Cap, Plug-in, Radial Leaded Aluminum

Rugged Value, High-Capacitance 85 °C Board-Mount Type



Type 4CMC is the PC-mount version of the high-capacitance Type DCMC screw-terminal capacitor and has about 50% more capacitance per can size through 250 V. It's for bus filtering applications where more capacitance or smaller can size is important like welders and energy storage. It delivers higher capacitance than the largest snap-ins and its heavy gauge can, molded high purity top and 14-gauge reverse proof 3 copper pins provide better performance.

Highlights

- Much better value than large snap-in capacitor
- Ripple Currents to > 50 amps at 55 °C
- 3-leads for reverse proof, strong mounting
- Printed-circuit mounting version of DCMC
- Thermal-Pak™ extended cathode construction

Specifications

Temperature Range	-40 °C to +85 °C																																										
Rated Voltage Range	16 Vdc to 500 Vdc																																										
Capacitance Range	210 µF to 420,000 µF																																										
Capacitance Tolerance	± 20%																																										
Leakage Current	≤ 6 \sqrt{CV} µA, 4 mA max, 5 minutes																																										
Ripple Current Multipliers	<p>Ambient Temperature</p> <table border="1"> <thead> <tr> <th>45 °C</th> <th>55 °C</th> <th>65 °C</th> <th>75 °C</th> <th>85 °C</th> </tr> </thead> <tbody> <tr> <td>2.00</td> <td>2.00</td> <td>1.73</td> <td>1.41</td> <td>1.00</td> </tr> </tbody> </table> <p>Frequency</p> <table border="1"> <thead> <tr> <th></th> <th>50 Hz</th> <th>60 Hz</th> <th>120 Hz</th> <th>360 Hz</th> <th>1 kHz</th> <th>5 kHz</th> <th>10 kHz & Up</th> </tr> </thead> <tbody> <tr> <td>16 to 50 V</td> <td>0.80</td> <td>0.85</td> <td>1.00</td> <td>1.05</td> <td>1.08</td> <td>1.08</td> <td>1.08</td> </tr> <tr> <td>63 to 250 V</td> <td>0.80</td> <td>0.83</td> <td>1.00</td> <td>1.15</td> <td>1.20</td> <td>1.20</td> <td>1.20</td> </tr> <tr> <td>300 to 500 V</td> <td>0.78</td> <td>0.80</td> <td>1.00</td> <td>1.30</td> <td>1.40</td> <td>1.40</td> <td>1.40</td> </tr> </tbody> </table>	45 °C	55 °C	65 °C	75 °C	85 °C	2.00	2.00	1.73	1.41	1.00		50 Hz	60 Hz	120 Hz	360 Hz	1 kHz	5 kHz	10 kHz & Up	16 to 50 V	0.80	0.85	1.00	1.05	1.08	1.08	1.08	63 to 250 V	0.80	0.83	1.00	1.15	1.20	1.20	1.20	300 to 500 V	0.78	0.80	1.00	1.30	1.40	1.40	1.40
45 °C	55 °C	65 °C	75 °C	85 °C																																							
2.00	2.00	1.73	1.41	1.00																																							
	50 Hz	60 Hz	120 Hz	360 Hz	1 kHz	5 kHz	10 kHz & Up																																				
16 to 50 V	0.80	0.85	1.00	1.05	1.08	1.08	1.08																																				
63 to 250 V	0.80	0.83	1.00	1.15	1.20	1.20	1.20																																				
300 to 500 V	0.78	0.80	1.00	1.30	1.40	1.40	1.40																																				
Low Temperature Characteristics	<p>Impedance ratio: $Z_{-20^{\circ}\text{C}}/Z_{+25^{\circ}\text{C}}$</p> <p>≤ 8 (16–50 Vdc) ≤ 4 (63–100 Vdc) ≤ 3 (150–500 Vdc)</p>																																										
Endurance Life Test	2000 h at full load at 85 °C Δ Capacitance ±20% ESR 200% of limit DCL 100% of limit																																										
DC Life Test	3000 h at rated voltage, 85 °C Δ Capacitance ±10% ESR 200% of limit DCL 100% of limit																																										
Shelf Life Test	500 h at 85 °C Capacitance 100% of limit ESR 100% of limit DCL 100% of limit																																										
Vibration	10 to 55 Hz, 0.06" and 10 g max, 2 h each plane																																										
RoHS Compliant																																											

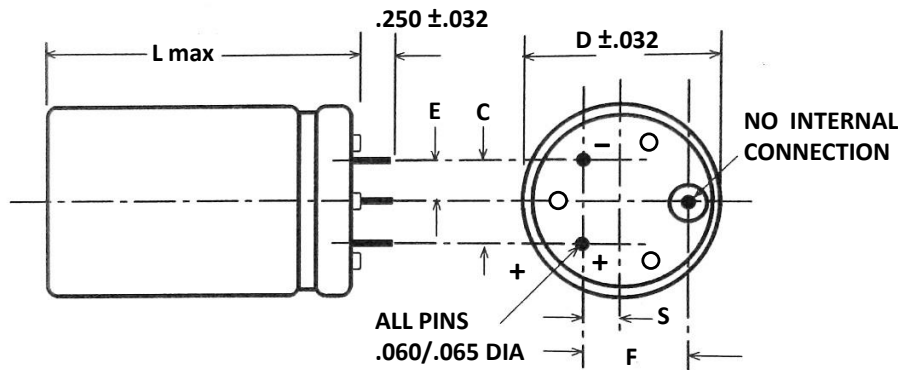
Type 4CMC 85 °C, High Cap, Plug-in, Radial Leaded Aluminum

Rugged Value, High-Capacitance 85 °C Board-Mount Type

Part Numbering System

4CMC	382	M	250	BH	8
Type	Capacitance	Tolerance	Voltage	Case Code	Insulation
	382 = 3800 μF 212 = 2100 μF	M = ±20% T = -10% +50% U = -10 +75%	6R3 = 6.3 V 063 = 63 V 250 = 250 V	see table	0 = Bare can 8 = PVC 9 = Polyester

Outline Drawing



Insulated Case Dimensions

Case Code	Inches						Millimeters					
	D ± .031	L MAX	C ± .015	S ± .031	E ± .031	F ± .015	D ± .78	L MAX	C ± .78	S ± .78	E ± .78	F ± .38
AK	1.375	1.75	0.50	0.175	0.25	0.55	34.93	44.45	12.70	4.45	6.35	13.97
AA	1.375	2.25	0.50	0.175	0.25	0.55	34.93	57.15	12.70	4.45	6.35	13.97
AH	1.375	2.75	0.50	0.175	0.25	0.55	34.98	69.85	12.70	4.45	6.35	13.97
AB	1.375	3.25	0.50	0.175	0.25	0.55	34.93	82.55	12.70	4.45	6.35	13.97
AJ	1.375	3.75	0.50	0.175	0.25	0.55	34.93	95.25	12.70	4.45	6.35	13.97
AC	1.375	4.25	0.50	0.175	0.25	0.55	34.93	107.95	12.70	4.45	6.35	13.97
AD	1.375	4.75	0.50	0.175	0.25	0.55	34.93	120.65	12.70	4.45	6.35	13.97
AE	1.375	5.25	0.50	0.175	0.25	0.55	34.93	133.35	12.70	4.45	6.35	13.97
AF	1.375	5.75	0.50	0.175	0.25	0.55	34.93	146.05	12.70	4.45	6.35	13.97
EA	1.75	2.25	0.70	0.375	0.35	0.90	44.45	57.15	17.78	9.53	8.89	22.86
EH	1.75	2.75	0.70	0.375	0.35	0.90	44.45	69.85	17.78	9.53	8.89	22.86
EB	1.75	3.25	0.70	0.375	0.35	0.90	44.45	82.55	17.78	9.53	8.89	22.86
EJ	1.75	3.75	0.70	0.375	0.35	0.90	44.45	95.25	17.78	9.53	8.89	22.86
EC	1.75	4.25	0.70	0.375	0.35	0.90	44.45	107.95	17.78	9.53	8.89	22.86
ED	1.75	4.75	0.70	0.375	0.35	0.90	44.45	120.65	17.78	9.53	8.89	22.86
EE	1.75	5.25	0.70	0.375	0.35	0.90	44.45	133.35	17.78	9.53	8.89	22.86
EF	1.75	5.75	0.70	0.375	0.35	0.90	44.45	146.05	17.78	9.53	8.89	22.86
BA	2.00	2.25	0.80	0.425	0.40	1.00	50.80	57.15	20.32	10.80	10.16	25.40
BH	2.00	2.75	0.80	0.425	0.40	1.00	50.80	69.85	20.32	10.80	10.16	25.40
BB	2.00	3.25	0.80	0.425	0.40	1.00	50.80	82.55	20.32	10.80	10.16	25.40
BJ	2.00	3.75	0.80	0.425	0.40	1.00	50.80	95.25	20.32	10.80	10.16	25.40
BC	2.00	4.25	0.80	0.425	0.40	1.00	50.80	107.95	20.32	10.80	10.16	25.40
BD	2.00	4.75	0.80	0.425	0.40	1.00	50.80	120.65	20.32	10.80	10.16	25.40
BE	2.00	5.25	0.80	0.425	0.40	1.00	50.80	133.25	20.32	10.80	10.16	25.40
BF	2.00	5.75	0.80	0.425	0.40	1.00	50.80	146.05	20.32	10.80	10.16	25.40

Type 4CMC 85 °C, High Cap, Plug-in, Radial Leaded Aluminum

Rugged Value, High-Capacitance 85 °C Board-Mount Type

Ratings

Additional Low Voltages Available at <http://www.cde.com/catalogs/4CMC.pdf>

Cap. (µF)	Catalog Part Number	ESR Max. 25 °C		Ripple Amps, 85 °C		Nom Size D X L (in)
		120 Hz (mΩ)	20 kHz (mΩ)	120 Hz (A)	20 kHz (A)	
200 Vdc (250 Vdc Surge)						
1200	4CMC122M200AK8	105.2	60.4	3.1	4.1	1 3/8 X 1 3/4
1900	4CMC192M200AA8	66.6	38.2	4.5	5.9	1 3/8 X 2 1/4
2700	4CMC272M200AH8	48.0	27.6	5.4	7.2	1 3/8 X 2 3/4
2700	4CMC272M200EA8	60.0	34.4	5.3	7.0	1 3/4 X 2 1/4
3500	4CMC352M200AB8	37.8	21.7	6.6	8.7	1 3/8 X 3 1/4
3500	4CMC352M200BA8	44.2	30.7	6.6	7.9	2 X 2 1/4
3700	4CMC372M200EH8	38.1	21.9	6.9	9.1	1 3/4 X 2 3/4
4300	4CMC432M200AJ8	29.9	17.2	7.8	10.2	1 3/8 X 3 3/4
4800	4CMC482M200EB8	29.4	16.9	8.5	11.2	1 3/4 X 3 1/4
5000	4CMC502M200BH8	33.1	23.0	8.2	9.8	2 X 2 3/4
5100	4CMC512M200AC8	25.7	14.7	8.8	11.7	1 3/8 X 4 1/4
5800	4CMC582M200AD8	22.6	13.0	9.8	12.9	1 3/8 X 4 3/4
5900	4CMC592M200EJ8	24.1	13.8	9.7	12.7	1 3/4 X 3 3/4
6600	4CMC662M200AE8	20.3	11.6	10.9	14.4	1 3/8 X 5 1/4
6800	4CMC682M200BB8	25.6	17.8	9.8	11.8	2 X 3 1/4
7100	4CMC712M200EC8	20.5	11.8	10.8	14.3	1 3/4 X 4 1/4
7400	4CMC742M200AF8	23.1	13.3	10.7	14.2	1 3/8 X 5 3/4
8100	4CMC812M200BJ8	21.0	14.6	12.2	14.6	2 X 3 3/4
8200	4CMC822M200ED8	17.9	10.3	12.2	16.1	1 3/4 X 4 3/4
9300	4CMC932M200EE8	16.0	9.2	13.7	18.1	1 3/4 X 5 1/4
9500	4CMC952M200BC8	19.1	13.3	12.8	15.4	2 X 4 1/4
10000	4CMC103M200EF8	14.5	8.3	15.4	20.3	1 3/4 X 5 3/4
11000	4CMC113M200BD8	15.7	10.9	14.6	17.5	2 X 4 3/4
12000	4CMC123M200BE8	14.1	9.8	16.0	19.2	2 X 5 1/4
14000	4CMC143M200BF8	12.8	8.9	17.3	20.8	2 X 5 3/4
250 Vdc (300 Vdc Surge)						
890	4CMC891M250AK8	137.0	78.6	2.6	3.4	1 3/8 X 1 3/4
1500	4CMC152M250AA8	86.5	49.7	3.7	4.9	1 3/8 X 2 1/4
1900	4CMC192M250EA8	68.7	39.4	4.8	6.3	1 3/4 X 2 1/4
2100	4CMC212M250AH8	62.3	35.7	4.5	6.0	1 3/8 X 2 3/4
2700	4CMC272M250BA8	54.2	37.6	5.8	7.0	2 X 2 1/4
2700	4CMC272M250AB8	48.8	28.0	5.5	7.2	1 3/8 X 3 1/4
2800	4CMC282M250EH8	47.8	27.4	6.1	8.1	1 3/4 X 2 3/4
3200	4CMC322M250AJ8	38.6	22.1	6.5	8.5	1 3/8 X 3 3/4
3700	4CMC372M250EB8	36.8	21.1	7.6	10.0	1 3/4 X 3 1/4
3800	4CMC382M250BH8	40.5	28.1	7.2	8.7	2 X 2 3/4
3900	4CMC392M250AC8	33.0	18.9	7.4	9.7	1 3/8 X 4 1/4
4400	4CMC442M250AD8	29.0	16.6	8.2	10.8	1 3/8 X 4 3/4
4500	4CMC452M250EJ8	30.1	17.3	8.6	11.4	1 3/4 X 3 3/4
5000	4CMC502M250AE8	25.9	14.9	9.1	12.0	1 3/8 X 5 1/4
5000	4CMC502M250BB8	31.2	21.7	8.7	10.4	2 X 3 1/4
5400	4CMC542M250EC8	25.5	14.7	9.7	12.8	1 3/4 X 4 1/4

Cap. (µF)	Catalog Part Number	ESR Max. 25 °C		Ripple Amps, 85 °C		Nom Size D X L (in)
		120 Hz (mΩ)	20 kHz (mΩ)	120 Hz (A)	20 kHz (A)	
250 Vdc (300 Vdc Surge)						
5600	4CMC562M250AF8	29.4	16.9	9.0	11.9	1 3/8 X 5 3/4
6200	4CMC622M250BJ8	25.5	17.7	10.7	12.9	2 X 3 3/4
6300	4CMC632M250ED8	22.3	12.8	11.0	14.5	1 3/4 X 4 3/4
7200	4CMC722M250EE8	19.8	11.4	12.3	16.3	1 3/4 X 5 1/4
7300	4CMC732M250BC8	21.7	15.1	11.7	14.0	2 X 4 1/4
8100	4CMC812M250EF8	18.0	10.3	13.8	18.3	1 3/4 X 5 3/4
8500	4CMC852M250BD8	19.0	13.2	12.9	15.5	2 X 4 3/4
9700	4CMC972M250BE8	17.0	11.8	14.2	17.0	2 X 5 1/4
11000	4CMC113M250BF8	15.4	10.7	15.4	18.4	2 X 5 3/4
300 Vdc (350 Vdc Surge)						
520	4CMC521M300AK8	245.0	141.0	2.2	2.9	1 3/8 X 1 3/4
870	4CMC871M300AA8	148.0	84.7	3.1	4.1	1 3/8 X 2 1/4
1200	4CMC122M300AH8	106.0	60.7	4.0	5.3	1 3/8 X 2 3/4
1300	4CMC132M300EA8	111.0	63.8	4.2	5.5	1 3/4 X 2 1/4
1600	4CMC162M300BA8	93.2	51.9	5.0	6.7	2 X 2 1/4
1600	4CMC162M300AB8	82.7	47.5	4.8	6.3	1 3/8 X 3 1/4
1800	4CMC182M300EH8	99.2	56.9	4.8	6.3	1 3/4 X 2 3/4
1900	4CMC192M300AJ8	68.0	39.0	5.6	7.4	1 3/8 X 3 3/4
2200	4CMC222M300BH8	67.1	37.4	6.3	8.4	2 X 2 3/4
2300	4CMC232M300AC8	57.9	33.2	6.4	8.4	1 3/8 X 4 1/4
2300	4CMC232M300EB8	76.1	43.7	5.8	7.7	1 3/4 X 3 1/4
2600	4CMC262M300AD8	50.6	29.0	7.1	9.4	1 3/8 X 4 3/4
2900	4CMC292M300AE8	45.0	25.8	7.8	10.3	1 3/8 X 5 1/4
2900	4CMC292M300BB8	51.6	28.7	7.6	10.2	2 X 3 1/4
2900	4CMC292M300EJ8	61.9	35.5	6.8	8.9	1 3/4 X 3 3/4
3300	4CMC332M300AF8	50.7	29.1	7.6	10.1	1 3/8 X 5 3/4
3500	4CMC352M300EC8	52.2	30.0	7.7	10.2	1 3/4 X 4 1/4
3600	4CMC362M300BJ8	51.2	28.5	8.1	10.8	2 X 3 3/4
4000	4CMC402M300ED8	45.3	26.0	8.6	11.4	1 3/4 X 4 3/4
4300	4CMC432M300BC8	43.3	24.1	9.2	12.3	2 X 4 1/4
4600	4CMC462M300EE8	40.1	23.0	9.5	12.6	1 3/4 X 5 1/4
4900	4CMC492M300BD8	38.0	21.2	10.2	13.7	2 X 4 3/4
5100	4CMC512M300EF8	36.0	20.6	10.4	13.7	1 3/4 X 5 3/4
5700	4CMC572M300BE8	33.3	18.5	11.3	15.1	2 X 5 1/4
6400	4CMC642M300BF8	29.9	16.7	12.3	16.5	2 X 5 3/4
350 Vdc (400 Vdc Surge)						
430	4CMC431M350AK8	264.1	151.6	2.1	2.8	1 3/8 X 1 3/4
710	4CMC711M350AA8	158.9	91.2	3.1	4.0	1 3/8 X 2 1/4
1000	4CMC102M350EA8	119.2	68.4	4.1	5.4	1 3/4 X 2 1/4
1000	4CMC102M350AH8	113.9	65.4	3.7	4.9	1 3/8 X 2 3/4
1200	4CMC122M350BA8	98.1	54.6	4.8	6.4	2 X 2 1/4
1300	4CMC132M350EH8	105.1	60.3	4.6	6.1	1 3/4 X 2 3/4

Type 4CMC 85 °C, High Cap, Plug-in, Radial Leaded Aluminum

Rugged Value, High-Capacitance 85 °C Board-Mount Type

Additional Low Voltages Available at <http://www.cde.com/catalogs/4CMC.pdf>

Cap. (µF)	Catalog Part Number	ESR Max. 25 °C		Ripple Amps, 85 °C		Nom Size D X L (in)	Cap. (µF)	Catalog Part Number	ESR Max. 25 °C		Ripple Amps, 85 °C		Nom Size D X L (in)
		120 Hz (mΩ)	20 kHz (mΩ)	120 Hz (A)	20 kHz (A)				120 Hz (mΩ)	20 kHz (mΩ)	120 Hz (A)	20 kHz (A)	
350 Vdc (400 Vdc Surge)							400 Vdc (450 Vdc Surge)						
1300	4CMC132M350AB8	89.0	51.1	4.5	6.0	1 3/8 X 3 1/4	3200	4CMC322M400BD8	42.8	23.8	9.6	12.9	2 X 4 3/4
1600	4CMC162M350BH8	71.8	40.0	6.0	8.1	2 X 2 3/4	3600	4CMC362M400BE8	37.9	21.1	10.6	14.2	2 X 5 1/4
1600	4CMC162M350AJ8	73.2	42.0	5.2	6.9	1 3/8 X 3 3/4	4100	4CMC412M400BF8	34.0	18.9	11.5	15.4	2 X 5 3/4
1700	4CMC172M350EB8	80.6	46.3	5.7	7.5	1 3/4 X 3 1/4	450 Vdc (500 Vdc Surge)						
1800	4CMC182M350AC8	62.3	35.8	6.0	7.9	1 3/8 X 4 1/4	330	4CMC331M450AK8	281.0	143.0	1.8	2.5	1 3/8 X 1 3/4
2100	4CMC212M350BB8	55.1	30.7	7.3	9.7	2 X 3 1/4	490	4CMC491M450AA8	188.0	95.7	2.5	3.4	1 3/8 X 2 1/4
2100	4CMC212M350AD8	54.4	31.2	6.7	8.8	1 3/8 X 4 3/4	600	4CMC601M450AH8	138.0	70.4	3.0	4.1	1 3/8 X 2 3/4
2100	4CMC212M350EJ8	65.5	37.6	6.5	8.6	1 3/4 X 3 3/4	690	4CMC691M450EA8	163.0	83.3	3.3	4.6	1 3/4 X 2 1/4
2400	4CMC242M350AE8	48.3	27.7	7.4	9.8	1 3/8 X 5 1/4	860	4CMC861M450BA8	116.0	64.8	4.1	5.6	2 X 2 1/4
2500	4CMC252M350EC8	55.3	31.7	7.4	9.7	1 3/4 X 4 1/4	860	4CMC861M450AB8	106.0	54.0	3.6	5.1	1 3/8 X 3 1/4
2600	4CMC262M350BJ8	47.9	26.7	8.7	11.7	2 X 3 3/4	930	4CMC931M450EH8	121.0	61.5	4.1	5.7	1 3/4 X 2 3/4
2700	4CMC272M350AF8	54.5	31.3	7.4	9.7	1 3/8 X 5 3/4	1000	4CMC102M450AJ8	86.1	43.9	4.2	5.9	1 3/8 X 3 3/4
2900	4CMC292M350ED8	47.9	27.5	8.3	11.0	1 3/4 X 4 3/4	1100	4CMC112M450BH8	98.9	55.1	4.8	6.5	2 X 2 3/4
3100	4CMC312M350BC8	45.7	25.5	9.0	12.1	2 X 4 1/4	1200	4CMC122M450EB8	92.4	47.1	5.0	7.0	1 3/4 X 3 1/4
3300	4CMC332M350EE8	42.4	24.3	9.4	12.4	1 3/4 X 5 1/4	1200	4CMC122M450AC8	72.7	37.1	4.8	6.8	1 3/8 X 4 1/4
3600	4CMC362M350BD8	40.1	22.4	9.9	13.3	2 X 4 3/4	1300	4CMC132M450AD8	69.9	35.7	5.1	7.2	1 3/8 X 4 3/4
3700	4CMC372M350EF8	38.0	21.8	10.6	14.0	1 3/4 X 5 3/4	1500	4CMC152M450BB8	75.9	42.2	5.8	7.8	2 X 3 1/4
4200	4CMC422M350BE8	35.1	19.6	11.0	14.7	2 X 5 1/4	1500	4CMC152M450AE8	61.8	31.5	5.7	8.0	1 3/8 X 5 1/4
4700	4CMC472M350BF8	31.6	17.6	12.0	16.0	2 X 5 3/4	1500	4CMC152M450EJ8	75.1	38.3	5.7	8.0	1 3/4 X 3 3/4
400 Vdc (450 Vdc Surge)							500 Vdc (550 Vdc Surge)						
320	4CMC321M400AK28	382.0	195.0	1.7	2.4	1 3/8 X 1 3/4	210	4CMC211M500AK8	487.0	287.0	1.5	2.1	1 3/8 X 1 3/4
590	4CMC591M400AA28	212.0	108.0	2.6	3.7	1 3/8 X 2 1/4	310	4CMC311M500AA8	325.0	191.0	2.1	3.0	1 3/8 X 2 1/4
800	4CMC801M400AH28	156.0	79.4	3.2	4.5	1 3/8 X 2 3/4	440	4CMC441M500EA8	238.0	140.0	2.9	4.0	1 3/4 X 2 1/4
840	4CMC841M400EA8	154.0	78.8	3.6	5.0	1 3/4 X 2 1/4	450	4CMC451M500AH8	225.0	133.0	2.6	3.7	1 3/8 X 2 3/4
1000	4CMC102M400BA8	130.0	72.2	4.2	5.6	2 X 2 1/4	560	4CMC561M500BA8	193.0	114.0	3.4	4.6	2 X 2 1/4
1000	4CMC102M400AB28	119.0	60.9	3.9	5.5	1 3/8 X 3 1/4	590	4CMC591M500AB8	173.0	102.0	3.2	4.5	1 3/8 X 3 1/4
1200	4CMC122M400EH8	107.0	54.6	4.6	6.4	1 3/4 X 2 3/4	630	4CMC631M500EH8	165.0	97.2	3.7	5.2	1 3/4 X 2 3/4
1300	4CMC132M400AJ28	96.9	49.5	4.5	6.4	1 3/8 X 3 3/4	730	4CMC731M500AJ8	140.0	82.6	3.8	5.3	1 3/8 X 3 3/4
1400	4CMC142M400BH8	93.6	52.1	5.3	7.1	2 X 2 3/4	780	4CMC781M500BH8	134.0	78.7	4.4	5.9	2 X 2 3/4
1500	4CMC152M400EB8	87.4	44.6	5.5	7.7	1 3/4 X 3 1/4	820	4CMC821M500EB8	126.0	74.4	4.5	6.4	1 3/4 X 3 1/4
1500	4CMC152M400AC28	81.8	41.7	0.5	0.8	1 3/8 X 4 1/4	820	4CMC821M500AC8	125.0	73.6	4.2	5.9	1 3/8 X 4 1/4
1600	4CMC162M400AD28	78.6	40.1	5.5	7.8	1 3/8 X 4 3/4	900	4CMC901M500AD8	113.0	66.4	4.6	6.5	1 3/8 X 4 3/4
1800	4CMC182M400EJ8	71.0	36.2	6.3	8.8	1 3/4 X 3 3/4							
1800	4CMC182M400AE28	69.5	35.4	6.2	8.7	1 3/8 X 5 1/4							
1900	4CMC192M400BB8	71.9	40.0	6.4	8.5	2 X 3 1/4							
2000	4CMC202M400AF28	77.9	39.7	6.2	8.6	1 3/8 X 5 3/4							
2100	4CMC212M400EC8	59.9	30.5	7.1	9.9	1 3/4 X 4 1/4							
2300	4CMC232M400BJ8	58.4	32.5	7.9	10.6	2 X 3 3/4							
2500	4CMC252M400ED8	51.9	26.5	8.0	11.2	1 3/4 X 4 3/4							
2700	4CMC272M400BC8	49.3	27.5	8.7	11.6	2 X 4 1/4							
2900	4CMC292M400EE8	45.8	23.4	9.0	12.7	1 3/4 X 5 1/4							
3200	4CMC322M400EF8	41.1	21.0	10.2	14.3	1 3/4 X 5 3/4							

Notice and Disclaimer: All product drawings, descriptions, specifications, statements, information and data (collectively, the "Information") in this datasheet or other publication are subject to change. The customer is responsible for checking, confirming and verifying the extent to which the Information contained in this datasheet or other publication is applicable to an order at the time the order is placed. All Information given herein is believed to be accurate and reliable, but it is presented without any guarantee, warranty, representation or responsibility of any kind, expressed or implied. Statements of suitability for certain applications are based on the knowledge that the Cornell Dubilier company providing such statements ("Cornell Dubilier") has of operating conditions that such Cornell Dubilier company regards as typical for such applications, but are not intended to constitute any guarantee, warranty or representation regarding any such matter – and Cornell Dubilier specifically and expressly disclaims any guarantee, warranty or representation concerning the suitability for a specific customer application, use, storage, transportation, or operating environment. The Information is intended for use only by customers who have the requisite experience and capability to determine the correct products for their application. Any technical advice inferred from this Information or otherwise provided by Cornell Dubilier with reference to the use of any Cornell Dubilier products is given gratis (unless otherwise specified by Cornell Dubilier), and Cornell Dubilier assumes no obligation or liability for the advice given or results obtained. Although Cornell Dubilier strives to apply the most stringent quality and safety standards regarding the design and manufacturing of its products, in light of the current state of the art, isolated component failures may still occur. Accordingly, customer applications which require a high degree of reliability or safety should employ suitable designs or other safeguards (such as installation of protective circuitry or redundancies or other appropriate protective measures) in order to ensure that the failure of an electrical component does not result in a risk of personal injury or property damage. Although all product-related warnings, cautions and notes must be observed, the customer should not assume that all safety measures are indicated in such warnings, cautions and notes, or that other safety measures may not be required.