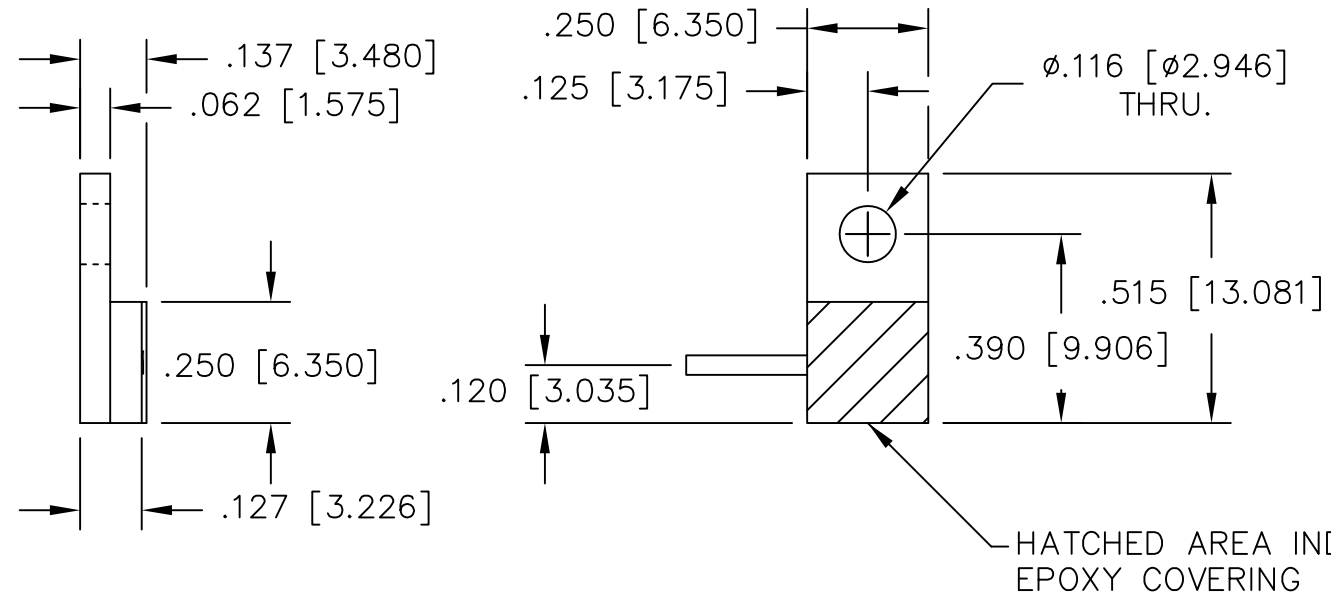


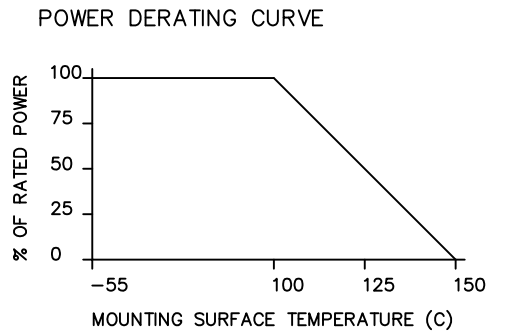
UNAUTHORIZED USE OF THIS  
DRAWING IS STRICTLY PROHIBITED

DAR	REV	DESCRIPTION	APPVD	DATE
2568	A	INITIAL RELEASE	DG	7-10
3519	B	SEE DAR	DG	2-12



- NOTES:
- LEAD MATERIAL: 99.99% PURE SILVER, .040 [1.016] WIDE x .005 [0.127] THICK x .250 [6.350] MIN. LONG.
  - SUBSTRATE MATERIAL: BeO  
COVER MATERIAL: EPOXY
  - FLANGE MATERIAL: COPPER  
PLATING: NICKEL
  - LEAD(S) WELDED TO SUBSTRATE.

ELECTRICAL SPECIFICATIONS  
 INPUT POWER: 50 WATT  
 FREQ: DC - 8.5 GHZ.  
 VSWR: 1.25:1 DC - 5.0 GHZ.  
 1.30:1 DC - 8.5 GHZ.



PART NO.	VALUE	TOLERANCE
IPP-TB222-50	50 OHMS	+/- 5%

MATERIAL [2] [3]	DWN S.Cornell	DATE 7-1-10	<b>Innovative Power Products</b>
	ENG DG	DATE 7-10	
FINISH [3]	MANUF	DATE	TITLE TERMINATION, 8500 MHz, 50 WATT, FLANGE
	CAGE CODE: 437R2		P/N IPP-TB222-XXX
TOLERANCE IN [MM]	SHEET OF 1 1	SCALE 4:1	