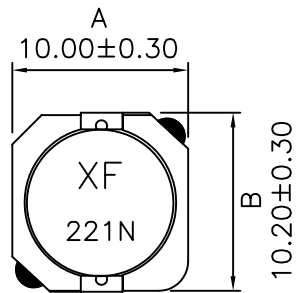
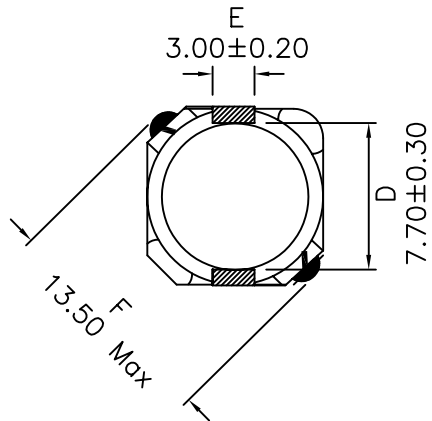
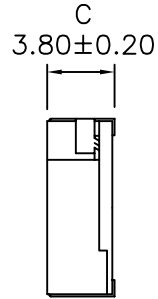


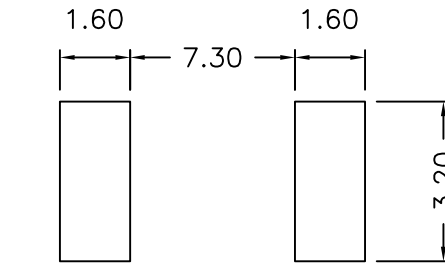
1. Mechanical Dimensions:



TOP VIEW

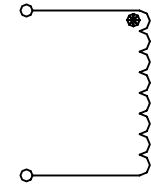


(BOTTOM VIEW)



(SUGGESTED MOUNTING PAD)

2. Schematic:



3. Electrical Specification:

OCL: 220uH±30% @100KHz 0.1V

Isat: 0.92Adc (Based on 30% drop in OCL)

Q: 15 Min @100KHz 0.1V

DCR: 0.756 Ohms Max

Notes:

1. Solderability: Leads shall meet MIL-STD-202, Method 208D for solderability.
2. Flammability: UL94V-0
3. ASTM oxygen index: > 28%
4. Insulation System: Class F 155°C. UL file E151556
5. Operating Temperature Range: All listed parameters are to be within tolerance from -40°C to +85°C
6. Storage Temperature Range: -55°C to +125°C
7. Aqueous wash compatible
8. SMD Lead Coplanarity: ±0.004"(0.102mm)
9. Electrical and mechanical specifications 100% tested
10. RoHS Compliant Component

DOC. REV: A/1

XFMRs Inc. www.XFMRS.com	Title: HIGH CURRENT SELF-LEADED SHIELDED SMT INDUCTORS		
	UNLESS OTHERWISE SPECIFIED	P/N: XFTPRH104-221N	REV. A
TOLERANCES:	DWN.	Mei Chen	Jul-10-10
XX ±0.25	CHK.	YK Liao	Jul-10-10
Dimensions in MM	APP.	BW	Jul-10-10
SHEET 1 OF 1			

PROPRIETARY

Document is the property of XFMRs Group & is not allowed to be duplicated without authorization.