

### 1W, FIXED INPUT, ISOLATED&UNREGULATED SINGLE OUTPUT DC-DC CONVERTER



## FEATURES

- ◆ High Efficiency up to 79%
- ◆ 3000VDC Isolation
- ◆ Temperature Range: -40°C ~ +85°C
- ◆ No Heat sink Required
- ◆ No External Component Required
- ◆ No External Component Required
- ◆ Industry Standard Pin out
- ◆ RoHS Compliance

## MODEL SELECTION

F<sup>①</sup>05<sup>②</sup>05<sup>③</sup>X<sup>④</sup>MS<sup>⑤</sup>

- ① Product Series
- ② Input Voltage
- ③ Output Voltage
- ④ Fixed Input
- ⑤ Mini SIP4 Package

## DESCRIPTION

The F-XMS Series is specially designed for applications where a group of polar power supplies are isolated from the input power supply in a distributed power supply system on a circuit board.

These products apply to:

- 1) Where the voltage of the input power supply is fixed (voltage variation ≤10%);
  - 2) Where isolation is necessary between input and output (isolation voltage ≤3000VDC);
  - 3) Where the regulation of the output voltage and the output ripple noise are not demanding.
- Such as: purely digital circuits, ordinary low frequency analog circuits, and IGBT power device driving circuits.



**CE REACH**  
MICRODC RESERVES THE COPYRIGHT

## PRODUCT PROGRAM

Part Number	Input		Voltage (VDC)	Output		Efficiency (% Typ)	Package Style
	Voltage (VDC)			Current (mA)			
	Nominal	Range	Min	Max			
F0303XMS	3.3	3.0-3.6	3.3	300	30	70	SIP4
F0305XMS	3.3	3.0-3.6	5	200	20	73	SIP4
F0309XMS	3.3	3.0-3.6	9	111	12	74	SIP4
F0503XMS	5	4.5-5.5	3.3	300	30	71	SIP4
F0505XMS	5	4.5-5.5	5	200	20	69	SIP4
F0509XMS	5	4.5-5.5	9	111	12	76	SIP4
F0512XMS	5	4.5-5.5	12	83	9	78	SIP4
F0515XMS	5	4.5-5.5	15	67	7	78	SIP4
F1203XMS	12	10.8-13.2	3.3	300	30	74	SIP4
F1205XMS	12	10.8-13.2	5	200	20	71	SIP4
F1209XMS	12	10.8-13.2	9	111	12	74	SIP4
F1212XMS	12	10.8-13.2	12	83	9	78	SIP4
F1215XMS	12	10.8-13.2	15	67	7	79	SIP4

## ISOLATION SPECIFICATIONS

Item	Test conditions	Min	Typ	Max	Units
Isolation voltage	Tested for 1 minute and 1 mA max	3000			VDC
Isolation resistance	Test at 500VDC	1000			MΩ
Isolation Capacitance			60		pF

## COMMON SPECIFICATIONS

Item	Test conditions	Min	Typ	Max	Units
Storage humidity				95	%
Operating Temperature		-40		85	°C
Storage Temperature		-55		125	
Temp. rise at full load			15	30	
Lead temperature	1.5mm from case for 10 seconds			300	
Short circuit protection*				1	S
Cooling		Free air convection			
Case material		Plastic (UL94-V0)			
MTBF			3500		K hours
Weight			4.3		g

\*Supply voltage must be discontinued at the end of short circuit duration.

### OUTPUT SPECIFICATIONS

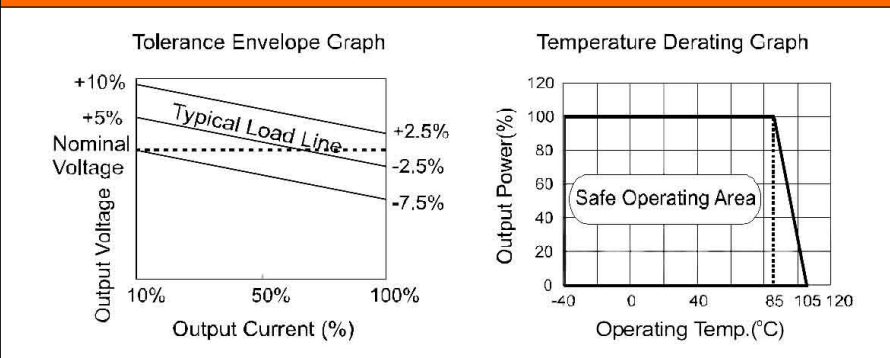
Item	Test conditions		Min	Typ	Max	Units
Output power			0.1		1	W
Line regulation	For Vin change of $\pm 1\%$	(3.3V output)			$\pm 1.5$	%
		(others output)			$\pm 1.2$	%
Load regulation	10% to 100% Load	(3.3V output)		15	20	%
		(5V output)		10	15	%
		(9V output)		8.3	15	%
		(12V output)		6.8	15	%
		(15V output)		6.3	15	%
		(24V output)		6.0	15	%
Output voltage accuracy	See tolerance envelope graph					
Temperature drift	100% full load				0.03	%/°C
Ripple & Noise*	20MHz Bandwidth			100	150	mVp-p
Switching frequency	Full load, nominal input			100		KHz

\*Test ripple and noise by "Parallel cable" method.  
See detailed operation instructions at Testing of Power Converter section, application notes.

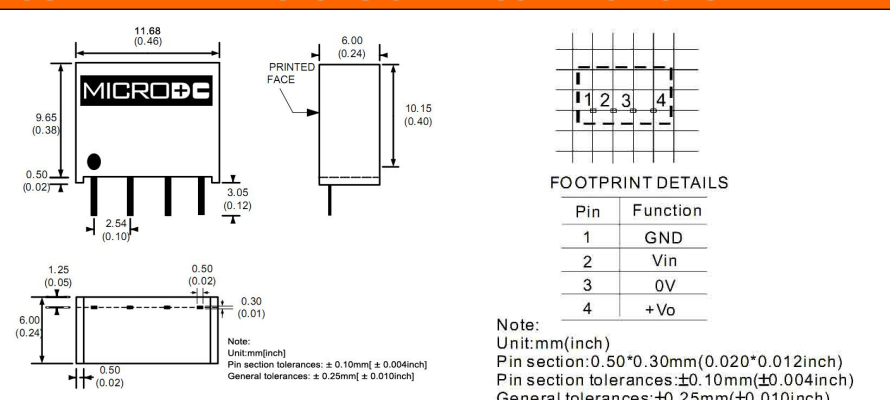
**Note:**

- All specifications measured at T A =25°C, humidity<75%, nominal input voltage and rated output load unless otherwise specified.
- See below recommended circuits for more details.

### TYPICAL CHARACTERISTICS



### OUTLINE DIMENSIONS & PIN CONNECTIONS



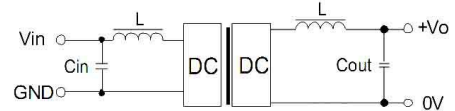
### APPLICATION NOTE

**Requirement on output load**

To ensure this module can operate efficiently and reliably, During operation, the minimum output load is not less than 10% of the full load, and that his product should never be operated under no load! If the actual output power is very small, please connect a resistor with proper resistance at the output end in parallel to increase the load, or use our company's products with a lower rated output power.

**Recommended circuit**

If you want to further decrease the input/output ripple, an "LC" filtering network may be connected to the input and output ends of the DC/DC converter, see (Figure 1).



(Figure 1)

It should also be noted that the inductance and the frequency of the "LC" filtering network should be staggered with the DC/DC frequency to avoid mutual interference. However, the capacitance of the output filter capacitor must be proper. If the capacitance is too big, a startup problem might arise. For every channel of output, provided the safe and reliable operation is ensured, the recommended capacitance of its filter capacitor sees (Table 1).

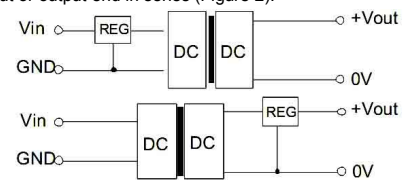
EXTERNAL CAPACITOR TABLE (Table 1)

Vin (VDC)	Cin (uF)	Single Vout (VC)	Cout (uF)
3.3/5	4.7	3.3/5	10
12	2.2	9	4.7
24	1	12	2.2
-	-	15/24	1

It not recommended to connect any external capacitor in the application field with less than 0.5 watt output.

**Output Voltage Regulation and Over-voltage Protection Circuit**

The simplest device for output voltage regulation, over-voltage and over-current protection is a linear voltage regulator with overheat protection that is connected to the input or output end in series (Figure 2).



(Figure 2)

**Overload Protection**

Under normal operating conditions, the output circuit of these products has no protection against overload. The simplest method is to connect a self-recovery fuse in series at the input end or add a circuit breaker to the circuit.

**No parallel connection or plug and play.**

**RoHS COMPLIANT INFORMATION**

This series is compatible with RoHS soldering systems with a peak wave solder temperature of 300° C for 10 seconds. The pin termination finish on the SIP package type is Tin Plate. Hot Dipped over Matte Tin with Nickel Preplate. The DIP types are Matte Tin over Nickel Preplate. Both types in this series are backward compatible with Sn/Pb soldering systems.

**REACH COMPLIANT INFORMATION**

This series has proven that this product does not contain harmful chemicals, it also has harmful chemical substances through the registration, inspection and approval.