

SUPER FAST RECTIFIERS

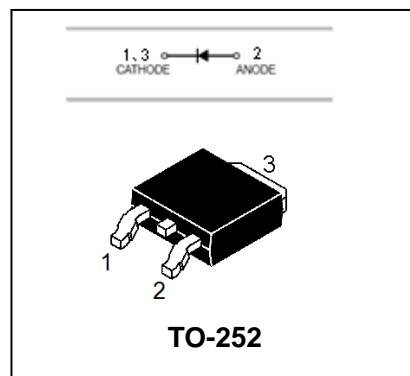
MUR1020D-MUR1060D

FEATURES

- Low cost.
- Low leakage.
- Low forward voltage drop.
- High currnt capability.
- Easily cleaned with Alcohol, Isopropanol and similar solvents.
- The plastic material carries U/L recognition 94V-0.



Lead-free



MAXIMUM RATING operating temperature range applies unless otherwise specified

Symbol	Parameter	MUR 1020D	MUR 1040D	MUR 1060D	Unit
V_{RRM}	Recurrent Peak Reverse Voltage	200	400	600	V
V_{RMS}	RMS Voltage	140	280	420	V
V_{DC}	DC Blocking Voltage	200	400	600	V
$I_{F(AV)}$	Average Forward Rectified Current @ $T_A=100^{\circ}C$	10			A
I_{FSM}	Peak Forward Surge Current 8.3ms Single Half Sine-wave Superimosed on Rated Load	125			A
$T_j T_{stg}$	Operating Junction and Storage Temperature Range	-55 to +150			$^{\circ}C$

ELECTRICAL CHARACTERISTICS@ $T_a=25^{\circ}C$ unless otherwise specified

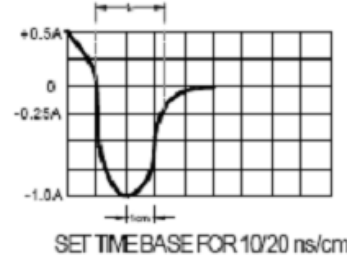
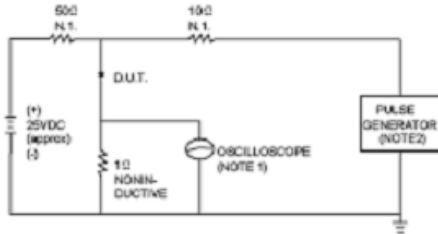
Parameter	Symbol	Test conditions	MAX			UNIT
			MUR 1020D	MUR 1040D	MUR 1060D	
Forward Voltage	V_F	$I_F=10A$	0.975	1.3	1.5	V
Reverse Current	I_R	$V_R=V_{RRM}, T_A=25^{\circ}C$	5.0	10		μA
		$V_R=V_{RRM}, T_A=150^{\circ}C$	250	500		
Reverse Recover Time	t_{rr}	$I_F=0.5A, I_R=1A, I_{rr}=0.25A$	25	50		ns

SUPER FAST RECTIFIERS

MUR1020D-MUR1060D

TYPICAL CHARACTERISTICS @ Ta=25°C unless otherwise specified

FIG.1 -- TEST CIRCUIT DIAGRAM AND REVERSE RECOVERY TIME CHARACTERISTIC



NOTES: 1. RISE TIME = 7ns MAX INPUT IMPEDANCE = 1MΩ . 22pF.
2. RISE TIME = 10ns MAX SOURCE IMPEDANCE = 50 Ω.

FIG.2 -- TYPICAL FORWARD CHARACTERISTIC

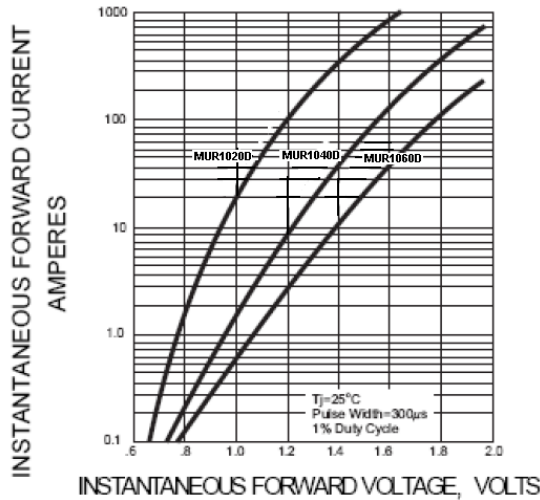


FIG.3 -- PEAK FORWARD SURGE CURRENT

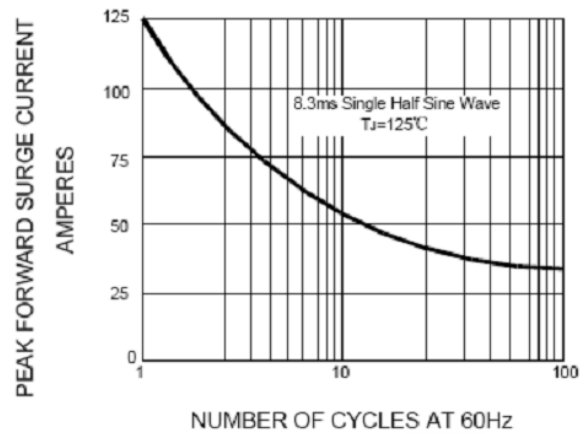
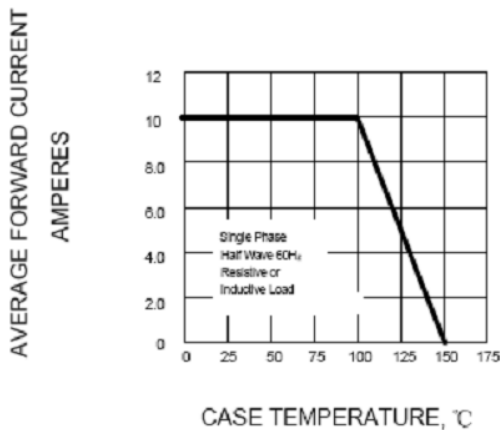


FIG.4 FORWORD DERATING CURVE





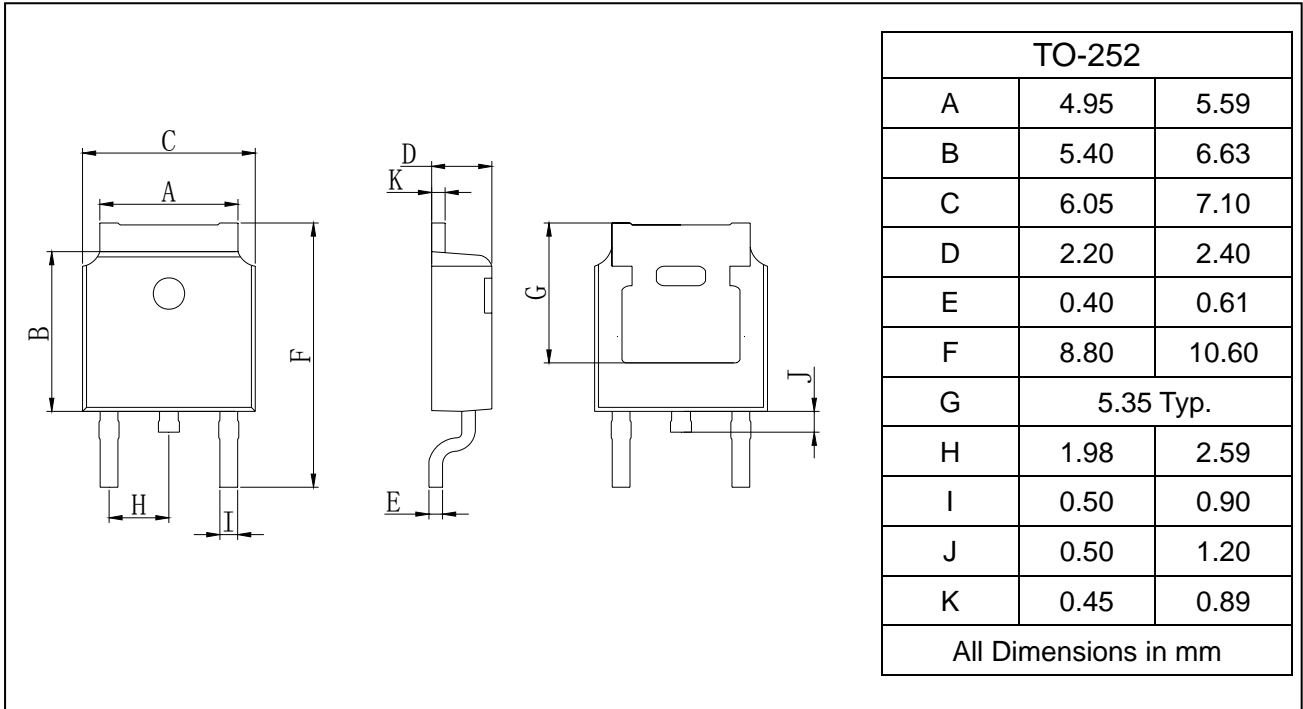
SUPER FAST RECTIFIERS

MUR1020D-MUR1060D

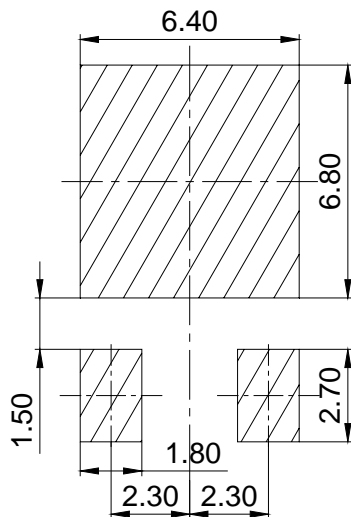
PACKAGE OUTLINE

Plastic surface mounted package

TO-252



SOLDERING FOOTPRINT



Unit:mm



SUPER FAST RECTIFIERS

MUR1020D-MUR1060D

PACKAGE INFORMATION

Device	Package	Shipping
MUR1020D-MUR1060D	TO-252	80PCS/Tube
		2500PCS/Tape&Reel