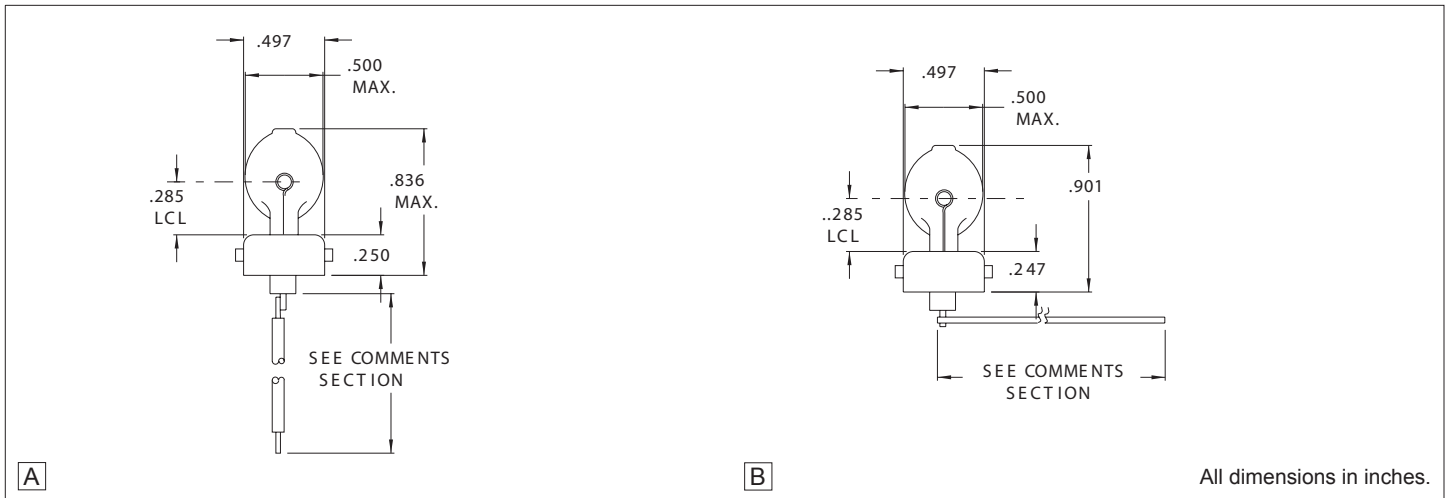


## T-3 Special Service Halogen Lamp Configuration



### Description:

These industry standard Halogen Lamps are used in a variety of applications from Aircraft Navigation lights to Medical work lights. The unique compact design, rugged construction and exceptionally high light output make these lamps the ideal light source for many applications.

Part No.	Design Volts	Design Watts	Filament Shape	Nominal MSCP	Laboratory Life Hours	Configuration	Comments
CM1974	6.0	20	C-6	10	10000	B	3" Bare Leads
CM1974D	6.0	20	C-6	10	10000	A	3" Bare Leads
CM1962	8.5	62	C-6	110	50	B	3" Bare Leads
CM1962B	8.5	62	C-6	110	50	B	9" Teflon Insulated
CM1962DZ	8.5	62	C-6	80	150	A	12" Teflon Insulated
CM1962DX	8.5	62	C-6	80	150	A	4" Bare Leads
CM1962TY	8.5	62	C-6	110	50	B	4" Teflon Insulated

### Materials:

Globe: Quartz Glass  
Base: Brass Special Bayonet  
Lead Connections: Brazed  
Lead Wires: 18 AWG Bare or Teflon Insulated  
Atmosphere: Gas

### Caution:

These halogen cycle lamps may shatter if scratched or damaged. Use these lamps in fixtures designed for their high operating temperature. Always turn power off when changing these lamps. For satisfactory performance limit the seal and wire lead temperature to 350°C to avoid deterioration. Maintain a minimum lamp wall temperature of 250°C to assure the halogen cycle occurs. Remove all grease and fingerprints from these lamps before operation. Never exceed the design voltage of these lamps.