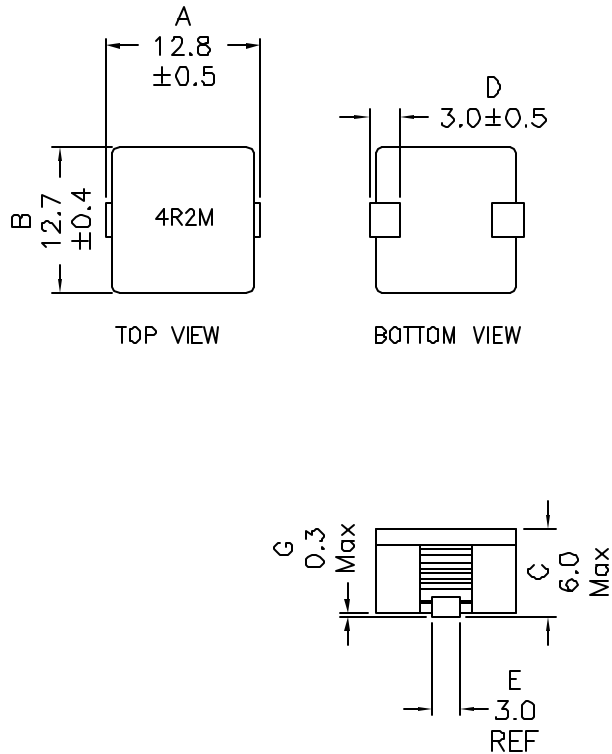
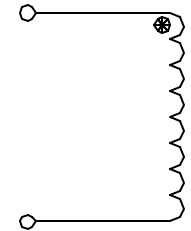


### 1. Mechanical Dimensions:



### 2. Schematic:



### 3. Electrical Specifications: @25°C

OCL:  $4.2\mu\text{H} \pm 20\%$  @100KHz 0.1V, 0Adc  
 Irms: 10.0Adc (Based on 40°C Temp Rise)  
 Isat 10.2Adc (Based on 50% Drop in OCL)  
 Q: TBD Min @100KHz 0.1V  
 DCR: 8.8 mOhms Max

**Notes:**

1. Solderability: Leads shall meet MIL-STD-202G, Method 208H for solderability.
2. Flammability: UL94V-0
3. ASTM oxygen index: > 28%
4. Insulation System: Class F 155°C. UL file E151556
5. Operating Temperature Range: All listed parameters are to be within tolerance from -40°C to +85°C
6. Storage Temperature Range: -55°C to +125°C
7. Aqueous wash compatible
8. SMD Lead Coplanarity:  $\pm 0.004"$  (0.102mm)
9. Electrical and mechanical specifications 100% tested
10. RoHS Compliant Component

DOC REV: A/1

**PRELIMINARY**

<b>XFMRs Inc</b> www.XFMRS.com	Title: <b>XFHCL4FC SERIES INDUCTOR</b>		
	UNLESS OTHERWISE SPECIFIED TOLERANCES: .xx $\pm 0.25$ Dimensions in MM	P/N: XFHCL4FC-4R2M	REV. A
	DWN.	Juan Mao	Jul-17-08
	CHK.	YK Liao	Jul-17-08
SHEET 1 OF 1	APP.	BW	Jul-17-08

**PROPRIETARY** Document is the property of XFMRs Group & is not allowed to be duplicated without authorization.