

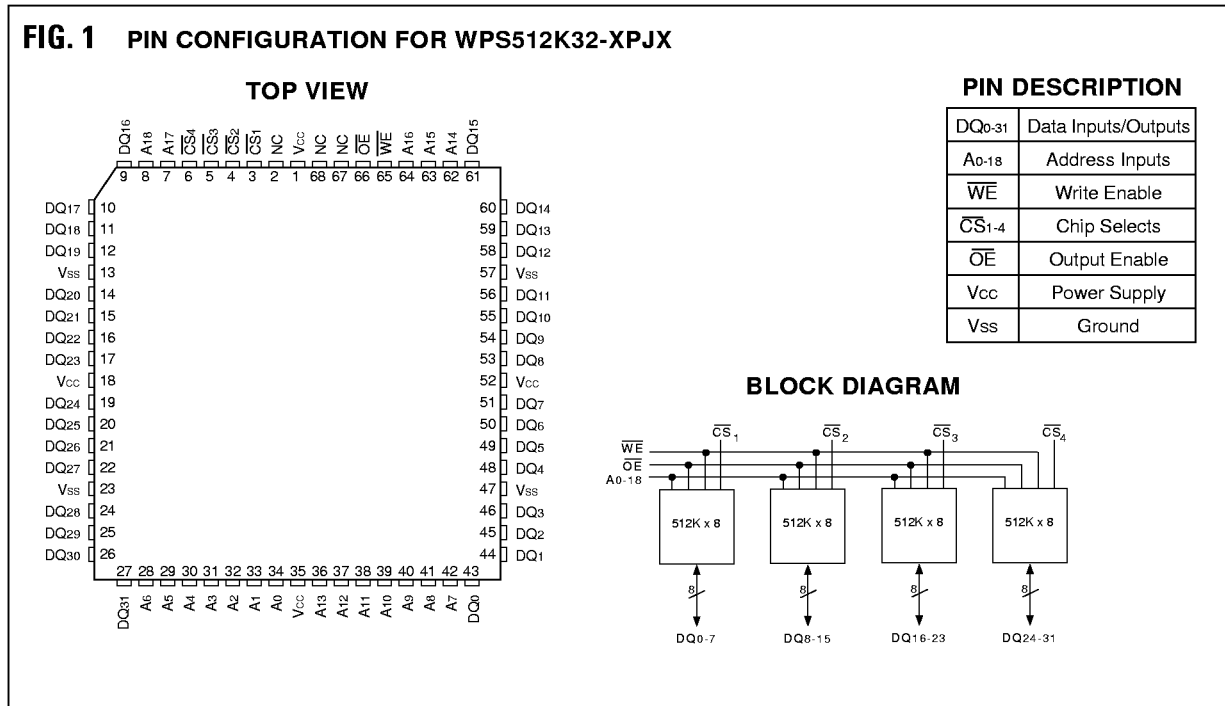


512Kx32 SRAM MODULE

FEATURES

- Access Times of 15, 17, 20, 25ns
- Packaging
 - 68 Lead, Plastic PLCC, 25.15mm (0.990 inch) square (Package 706)
- Organized as 512Kx32
- Commercial and Industrial Temperature Ranges
- TTL Compatible Inputs and CMOS Outputs
- 5 Volt Power Supply
- Low Power CMOS
- Built-in Decoupling Caps and Multiple Ground Pins for Low Noise Operation

FIG. 1 PIN CONFIGURATION FOR WPS512K32-XPJX



**ABSOLUTE MAXIMUM RATINGS**

Parameter	Symbol	Min	Max	Unit
Operating Temperature (Com.)	T _A	0	+70	°C
Operating Temperature (Ind.)	T _A	-40	+85	°C
Storage Temperature	T _{STG}	-55	+125	°C
Signal Voltage Relative to V _{SS}	V _G	-0.5	V _{CC} +0.5	V
Supply Voltage	V _{CC}	-0.5	7.0	V

TRUTH TABLE

\overline{CS}	\overline{OE}	\overline{WE}	Mode	Data I/O	Power
H	X	X	Standby	High Z	Standby
L	L	H	Read	Data Out	Active
L	H	H	Out Disable	High Z	Active
L	X	L	Write	Data In	Active

CAPACITANCE(@ T_A = +25°C)**RECOMMENDED OPERATING CONDITIONS**

Parameter	Symbol	Min	Max	Unit
Supply Voltage	V _{CC}	4.5	5.5	V
Input High Voltage	V _{IH}	2.2	V _{CC} + 0.5	V
Input Low Voltage	V _{IL}	-0.5	+0.8	V
Operating Temp (Com.)	T _A	0	+70	°C
Operating Temp (Ind.)	T _A	-40	+85	°C

Parameter	Symbol	Condition	Max	Unit
\overline{OE} Capacitance	C _{OE}	V _{IN} = 0V, f = 1.0MHz	35	pF
Write Enable Capacitance	C _{WE}	V _{IN} = 0V, f = 1.0MHz	35	pF
\overline{CS} 1-4 Capacitance	C _{CS}	V _{IN} = 0V, f = 1.0MHz	12	pF
Data I/O Capacitance	C _{I/O}	V _{IN} = 0V, f = 1.0MHz	12	pF
Address Input Capacitance	C _{AD}	V _{IN} = 0V, f = 1.0MHz	35	pF

This parameter is guaranteed by design but not tested.

DC CHARACTERISTICS(V_{CC} = 5V, V_{SS} = 0V, T_A = -40 to +85°C)

Parameter	Symbol	Conditions	Units		
			Min	Max	
Input Leakage Current	I _{LI}	V _{CC} = 5.5, V _{IN} = V _{SS} to V _{CC}		10	μA
Output Leakage Current	I _{LO}	\overline{CS} = V _{IH} , \overline{OE} = V _{IH} , V _{OUT} = V _{SS} to V _{CC}		10	μA
Operating Supply Current x 32 Mode	I _{CC} x 32	\overline{CS} = V _{IL} , \overline{OE} = V _{IH} , f = 5MHz, V _{CC} = 5.5		520	mA
Standby Current	I _{SB}	\overline{CS} = V _{CC} , \overline{OE} = V _{IH} , f = 5MHz, V _{CC} = 5.5		60	mA
Output Low Voltage	V _{OL}	I _{OL} = 8mA, V _{CC} = 4.5		0.4	V
Output High Voltage	V _{OH}	I _{OH} = -4.0mA, V _{CC} = 4.5	2.4		V

NOTE: DC test conditions: V_{IL} = 0.3V, V_{IH} = V_{CC} - 0.3V

**AC CHARACTERISTICS**
(V_{CC} = 5.0V, T_A = -40°C to +85°C)

Parameter	Symbol	-15		-17		-20		-25		Units
		Min	Max	Min	Max	Min	Max	Min	Max	
Read Cycle										
Read Cycle Time	t _{RC}	15		17		20		25		ns
Address Access Time	t _{AA}		15		17		20		25	ns
Output Hold from Address Change	t _{OH}	0		0		0		0		ns
Chip Select Access Time	t _{ACS}		15		17		20		25	ns
Output Enable to Output Valid	t _{OE}		7		8		9		11	ns
Chip Select to Output in Low Z	t _{CLZ'}	2		2		2		2		ns
Output Enable to Output in Low Z	t _{OLZ'}	0		0		0		0		ns
Chip Disable to Output in High Z	t _{CHZ'}		7		8		9		10	ns
Output Disable to Output in High Z	t _{OHZ'}		7		8		9		10	ns

1. This parameter is guaranteed by design but not tested.

AC CHARACTERISTICS
(V_{CC} = 5.0V, T_A = -40°C to +85°C)

Parameter	Symbol	-15		-17		-20		-25		Units
		Min	Max	Min	Max	Min	Max	Min	Max	
Write Cycle										
Write Cycle Time	t _{WC}	15		17		20		25		ns
Chip Select to End of Write	t _{CW}	10		11		12		14		ns
Address Valid to End of Write	t _{AW}	10		11		12		14		ns
Data Valid to End of Write	t _{DW}	7		8		9		11		ns
Write Pulse Width	t _{WP}	10		11		12		14		ns
Address Setup Time	t _{AS}	0		0		0		0		ns
Address Hold Time	t _{AH}	0		0		0		0		ns
Output Active from End of Write	t _{OW'}	3		3		3		3		ns
Write Enable to Output in High Z	t _{WHZ'}		7		8		9		11	ns
Data Hold Time	t _{DH}	0		0		0		0		ns

1. This parameter is guaranteed by design but not tested.



FIG. 2
TIMING WAVEFORM - READ CYCLE

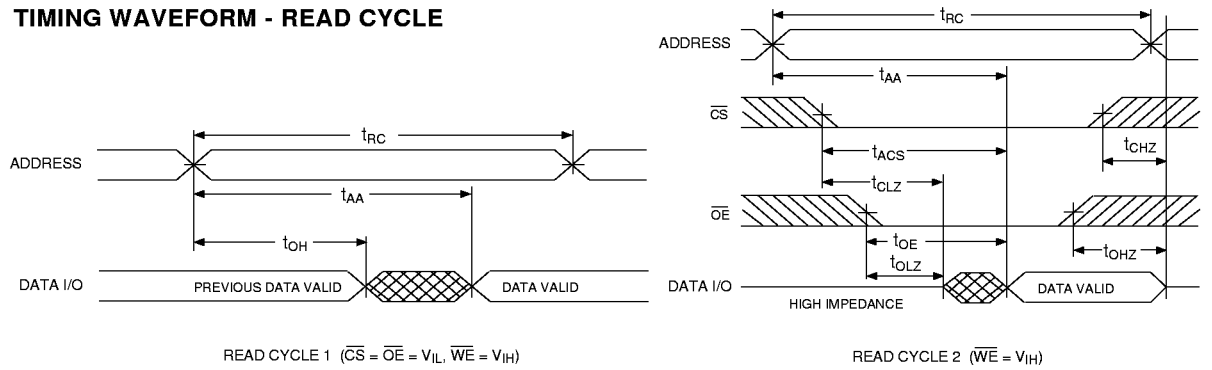


FIG. 3
WRITE CYCLE - \overline{WE} CONTROLLED

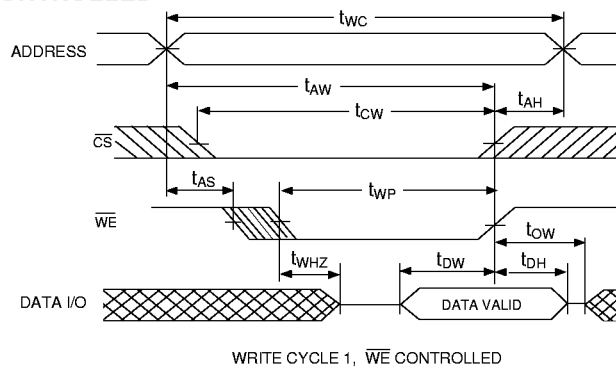
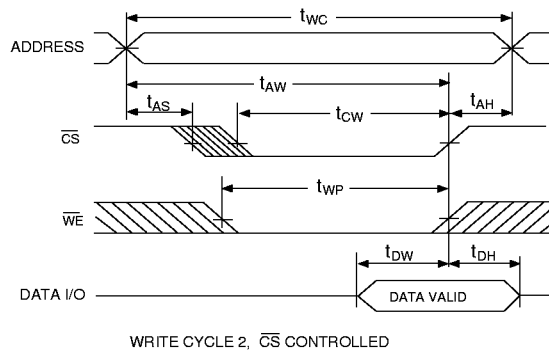
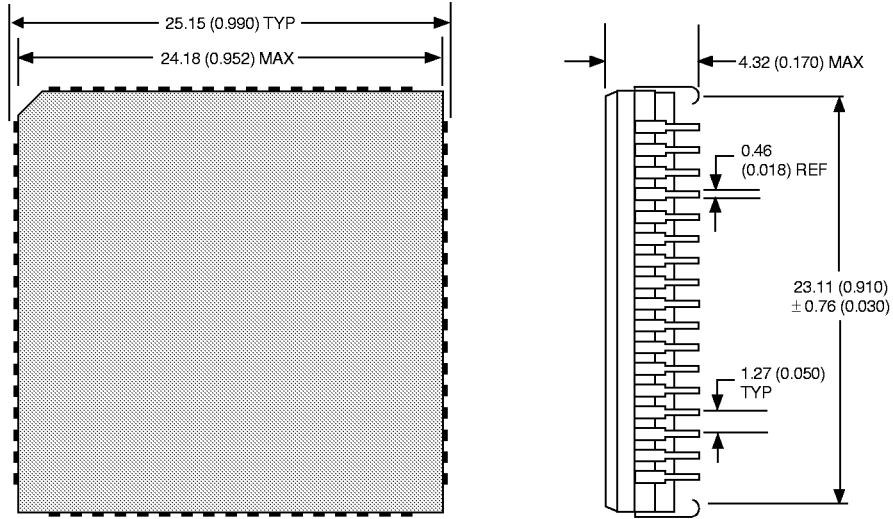


FIG. 4
WRITE CYCLE - \overline{CS} CONTROLLED





PACKAGE 706: 68 LEAD PLCC



ALL LINEAR DIMENSIONS ARE MILLIMETERS AND PARENTHETICALLY IN INCHES

ORDERING INFORMATION

W P S 512K 32 - XXX P J X

DEVICE GRADE:

- C = Commercial 0°C to +70°C
- I = Industrial -40°C to +85°C

PACKAGE TYPE:

PJ = 68 Lead Plastic PLCC (Package 706)

ACCESS TIME (ns)

ORGANIZATION, 512K x 32

User configurable as 1M x 16 or 2M x 8

SRAM

Plastic Encapsulated Multichip Module

WHITE MICROELECTRONICS