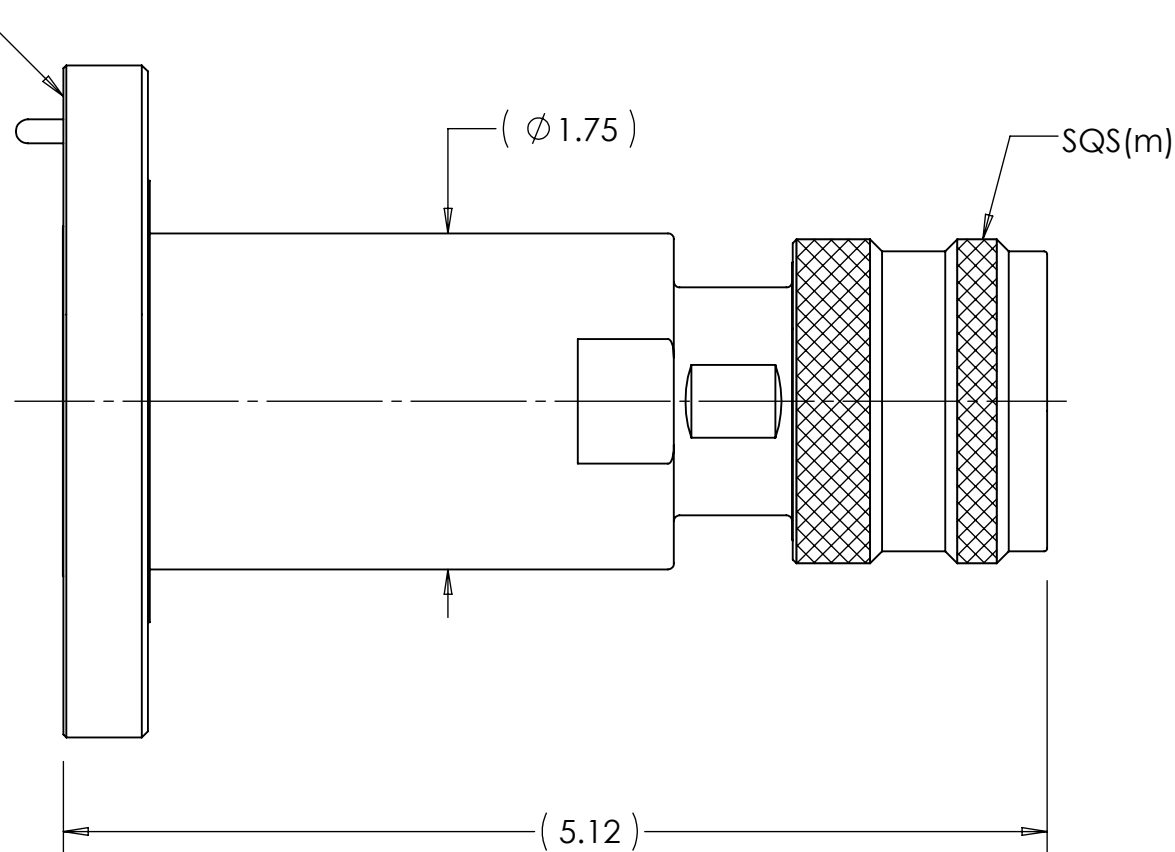
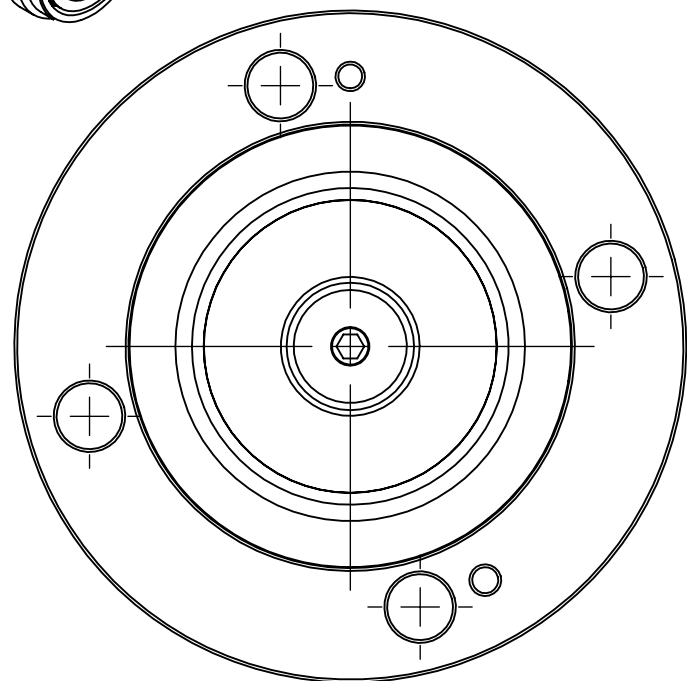
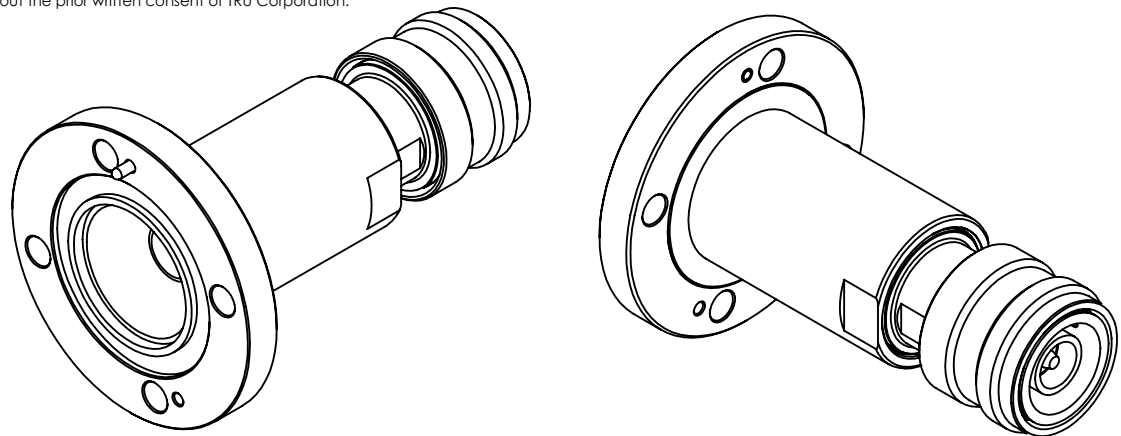


This document, including the design, configuration and mechanical features revealed herein are the sole, confidential and proprietary property of TRU Corporation. Reproduction or use thereof, in whole or part, is prohibited without the prior written consent of TRU Corporation.

REV.	DESCRIPTION	DATE	APPROVED
-	ORIGINAL ISSUE	06/27/13	AM



**ENGINEERING DATA**

**ELECTRICAL:**  
 IMPEDANCE: 50 OHMS NOMINAL  
 FREQUENCY RANGE: DC to 500 MHz


**INTERFACE:**  
 1-5/8 EIA: PER EIA RS-225 & MIL-DTL-24044  
 SWIVEL FLANGE W/ALIGNMENT PIN  
 SQS(m): PER TRU STANDARD

**MATERIAL:**  
 BODIES & COUPLING RING: BRASS  
 CENTER CONTACTS: BRASS  
 INSULATORS: PTFE

**FINISH:**  
 BODIES & COUPLING RING: NICKEL PLATED  
 CENTER CONTACTS: SILVER PLATED

**NOTES:**

- UNLESS OTHERWISE SPECIFIED; ALL DIMENSIONS ARE FOR REFERENCE ONLY.

MATERIAL	DO NOT SCALE DRAWING	DRAWN AM	DATE 06/27/13	 <b>TRU Corporation</b> 245 Lynnfield St, Peabody, MA 01960 <small>EXPERIENCE. TRU INNOVATION.</small>
	UNLESS OTHERWISE SPECIFIED: DIMENSIONS ARE IN INCHES  TOLERANCES: FRACTIONS: ±1/64 .XX : ±.01 .XXX: ±.005 ANGLES: ±1/2° MACHINED SURFACES: 63/√	ENG APPR. AM	DATE 06/27/13	
COMMENTS:		MFG APPR.	DATE	SIZE <b>B</b> DWG. NO. TRU-12363 REV -
surface area: sq inch	weight: lbs	OTHER APPR.	DATE	CAGE CODE: 92180 SCALE: 1:1 SHEET 1 OF 1

