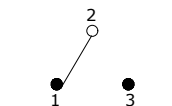
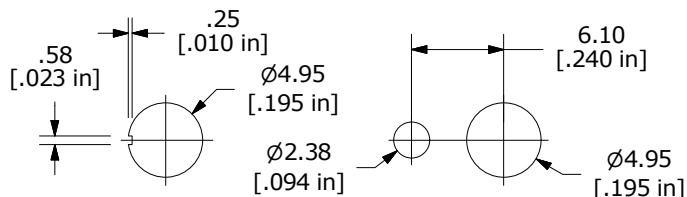


P.C. MOUNTING



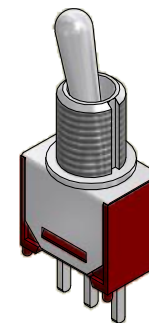
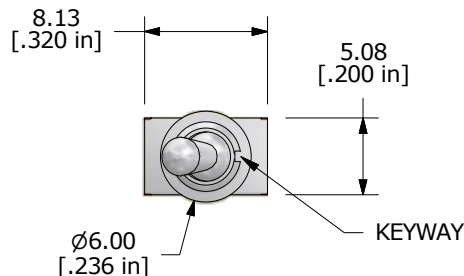
CIRCUIT: SPDT



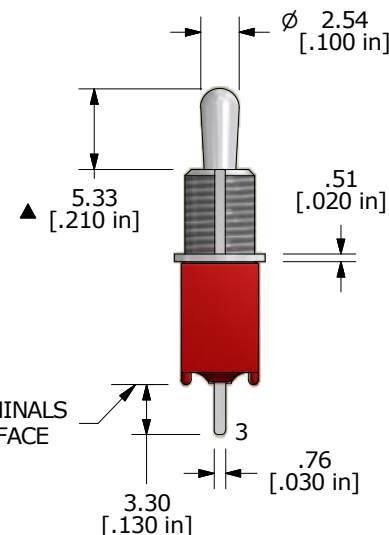
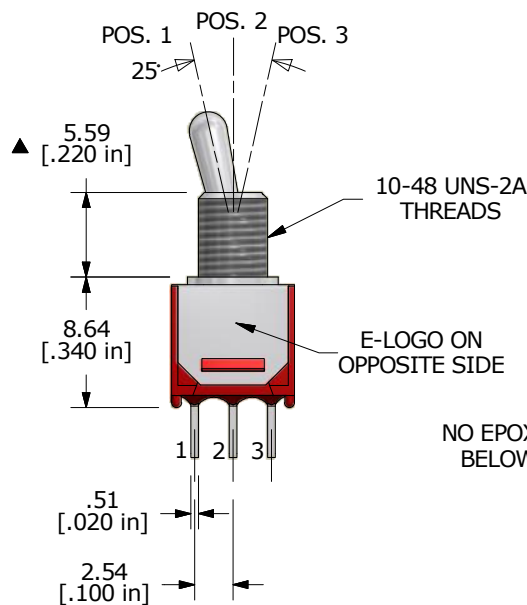
WITHOUT LOCKING RING

WITH STANDARD LOCKING RING

PANEL MOUNTING



SWITCH FUNCTION		
POS. 1	POS. 2	POS. 3
ON	OFF	ON
2-3	OPEN	2-1



NO EPOXY ON TERMINALS BELOW THIS SURFACE

NOTE:

- ALL DIMENSIONS IN MM [INCH]
- GENERAL TOLERANCE: X.X=±0.4  
X.XX=±0.25
- TERMINAL NUMBERS FOR REF ONLY
- PLATING MATERIAL: SILVER
- RATING: 3 AMPS @ 120VAC OR 28VDC UL, CUL  
1 AMPS @ 250VAC UL, CUL
- ELECTRIC LIFE: 30,000 MAKE-AND-BREAK CYCLES AT FULL LOAD.
- INSULATION RESISTANCE: 1,000 MEGA-OHM MIN.
- DIELECTRIC STRENGTH: 1,000 V RMS @SEA LEVEL.
- OPERATING TEMP.: -30°C to 85°C
- 2002/95/EC (ROHS) COMPLIANT
- ▲ DENOTES CRITICAL PARAMETER.
- HARDWARE TO BE SHIPPED IN BULK:  
T200000 - LOCK WASHER QTY-1  
T200003 - LOCK RING QTY-1  
T200001 - HEX NUT QTY-2



B	21828	Hardware from 1/4 to 10-48 hardware	4/9/15	MW
A	21802	RELEASED FOR PRODUCTION	3/16/15	MW
REV	PCR NO	DESCRIPTION	DATE	BY

TITLE 200MSP3T2B3M2QEH				
SCALE 2:1	DATE 3/16/2015	DR MW	DWG ST211157	REV B

THE INFORMATION CONTAINED IN THIS DOCUMENT IS PROPRIETARY TO E-SWITCH AND IS NOT TO BE COPIED OR TRANSFERRED