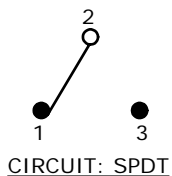


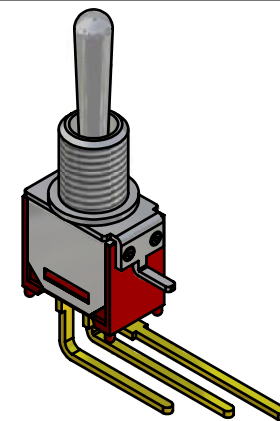
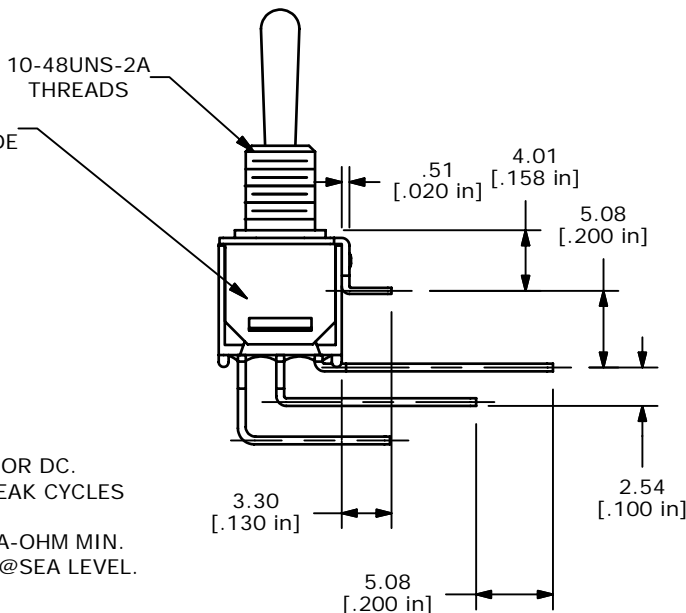
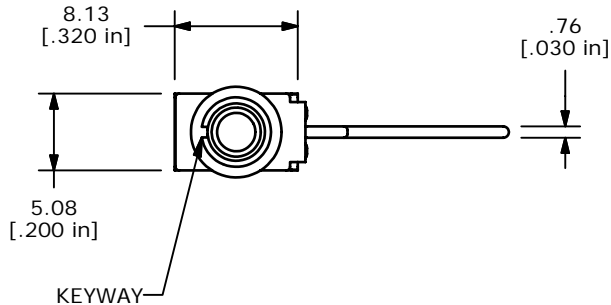
PC MOUNTING

SWITCH FUNCTION		
POS. 1	POS. 2	POS. 3
(ON)	OFF	(ON)
2-3	OPEN	2-1

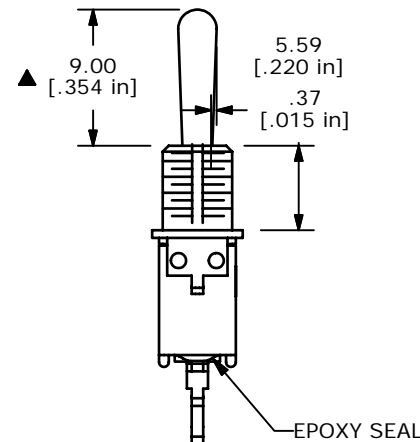
MOMENTARY=(ON)



- NOTE:
- ALL DIMENSIONS IN MM [INCH]
  - GENERAL TOLERANCE: X.X=±0.4  
X.XX=±0.25
  - TERMINAL NUMBERS FOR REF ONLY
  - ▲ PLATING MATERIAL: GOLD
  - RATING: 0.4VA MAX. OR 20V MAX. AC OR DC.
  - ELECTRIC LIFE: 30,000 MAKE-AND-BREAK CYCLES AT FULL LOAD.
  - INSULATION RESISTANCE: 1,000 MEGA-OHM MIN.
  - DIELECTRIC STRENGTH: 1,000 V RMS @SEA LEVEL.
  - OPERATING TEMP.: -30°C to 85°C
  - 2002/95/EC (ROHS) COMPLIANT
  - ▲ DENOTES CRITICAL PARAMETER.
  - HARDWARE TO BE SUPPLIED IN BULK:  
T200000-LOCK WASHER QTY. 1  
T200003-LOCK RING QTY. 1  
T200001-HEX NUT QTY. 2



ISOMETRIC



**E-SWITCH®**

TITLE 200MSP4T1B3M7RE

A	15463	RELEASED FOR PRODUCTION	10/27/05	PH
REV	PCR NO	DESCRIPTION	DATE	BY

SCALE	DATE	DR	DWG	REV
2:1	10/27/2005	PH	ST211094	A

THE INFORMATION CONTAINED IN THIS DOCUMENT IS PROPRIETARY TO E-SWITCH AND IS NOT TO BE COPIED OR TRANSFERRED