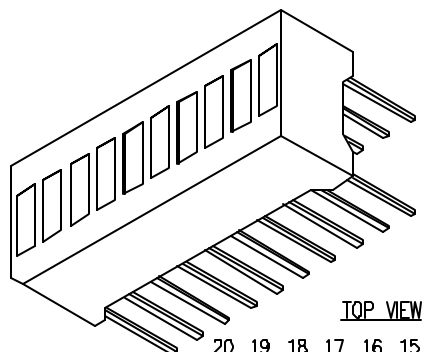
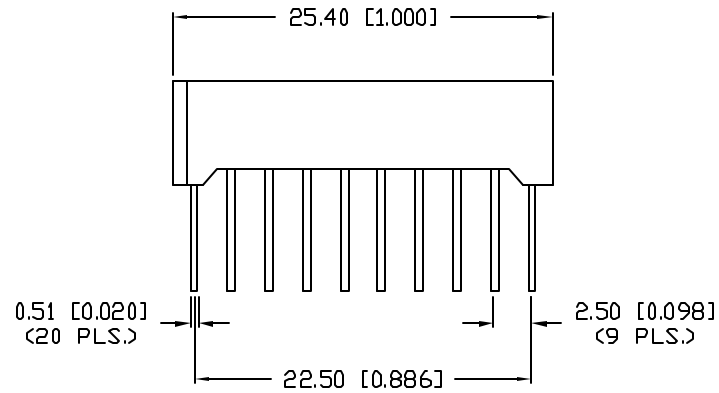


ELECTRO-OPTICAL CHARACTERISTICS  $T_A=25^{\circ}\text{C}$   $I_f=20\text{mA}$

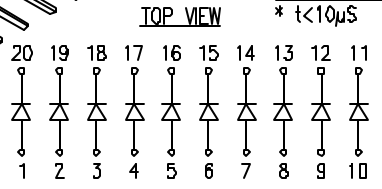
PARAMETER	GREEN	YELLOW	RED	UNITS	TEST COND
PEAK WAVELENGTH	565	585	635	nm	
FORWARD VOLTAGE (TYP.)	2.2	2.1	2.0	$V_f$	
FORWARD VOLTAGE (MAX.)	2.6	2.5	2.5	$V_f$	
REVERSE VOLTAGE	5.0	5.0	5.0	$V_r$	$I_r=100\mu\text{A}$
AXIAL INTENSITY	8	8	8	mcd	$I_f=20\text{mA}$
VIEWING ANGLE	160	160	160	$2\theta$ theta	
LED POSITION:	1~5	6~9	10		
EPOXY LENS FINISH:	MILKY WHITE DIFFUSED				
FACE COLOR:	GRAY				



LIMITS OF SAFE OPERATION AT 25°C PER CHIP

PARAMETER	MAX	UNITS
PEAK FORWARD CURRENT*	150	mA
STEADY CURRENT (G/Y/R)	25/30/30	mA
POWER DISSIPATION	105	mW
DERATE FROM 25°C	-1.2	mW/°C
OPERATING, STORAGE TEMP.	-40 TO +85	°C
SOLDERING TEMP.	+260	°C
2.0mm FROM BODY		3 SEC. MAX

\*  $t < 10\mu\text{s}$



NOTES:  
1. G=GREEN, Y=YELLOW, R=RED.



\*UNLESS OTHERWISE SPECIFIED TOLERANCES PER DECIMAL PRECISION ARE: X=±1 (±0.039), XX=±0.5 (±0.020), XXX=±0.25 (±0.010), XXXX=±0.127 (±0.005). LEAD SIZE=±0.05 (±0.002), LEAD LENGTH=±0.75 (±0.030). MIN.=<sup>+0.00</sup>/<sub>-0.00</sub> DECIMAL PRECISION MAX.=<sup>+0.00</sup>/<sub>-0.00</sub> DECIMAL PRECISION

REV.	PART NUMBER
	SSA-LXB10G5Y411WLP

CONFIDENTIAL INFORMATION  
THE INFORMATION CONTAINED IN THIS DOCUMENT IS THE PROPERTY OF LUMEX INC. EXCEPT AS SPECIFICALLY AUTHORIZED IN WRITING BY LUMEX INC, THE HOLDER OF THIS DOCUMENT SHALL KEEP ALL INFORMATION CONTAINED HEREIN CONFIDENTIAL AND SHALL PROTECT SAME IN WHOLE OR IN PART FROM DISCLOSURE AND DISSEMINATION TO ALL THIRD PARTIES.



290 E. HELEN ROAD  
PALATINE, IL 60067-6976  
PHONE: +1.847.359.2790  
US WEB: www.lumex.com  
TW WEB: www.lumex.com.tw

10 SEGMENT BAR GRAPH, 5G/4Y/1R MWDF,  
LOW PROFILE, GRAY FACE WITH WHITE SEGMENTS.

RELIABILITY NOTE  
OUR MANY YEARS OF EXPERIENCE DATA ACCUMULATION INDICATE THAT SOLDER HEAT IS A MAJOR CAUSE OF EARLY AND FUTURE FAILURE. PLEASE PAY ATTENTION TO YOUR SOLDERING PROCESS.

DRAWN BY: JN	CHECKED BY:	APPROVED BY:	DATE: 7.05.07
			PAGE: 1 OF 1
			SCALE: N/A