

## Schottky Barrier Diode

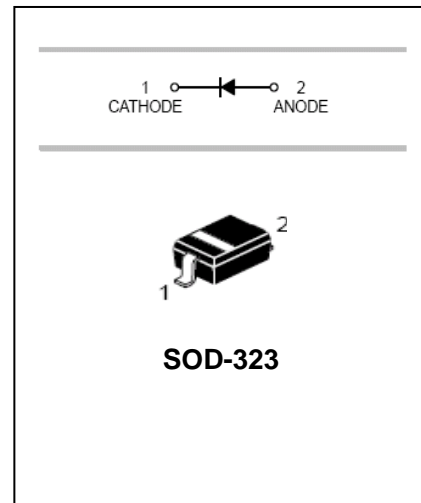
## B0520LWS/B0530WS/B0540WS

### FEATURES

- Low forward voltage drop.
- Guard ring construction for transient Protection.
- High conductance.



Lead-free



### APPLICATIONS

- surface mount schottky barrier rectifier.

### ORDERING INFORMATION

Type No.	Marking	Package Code
B0520LWS	SD	SOD-323
B0530WS	SE	SOD-323
B0540WS	SF	SOD-323

### MAXIMUM RATING @ Ta=25°C unless otherwise specified

Characteristic	Symbol	B0520LWS	B0530WS	B0540WS	Unit
Peak Repetitive Reverse Voltage	$V_{RRM}$				
Working Peak Reverse Voltage	$V_{RWM}$	20	30	40	V
DC Reverse Voltage	$V_R$				
RMS Reverse Voltage	$V_{R(RMS)}$	14	21	28	V
Average Rectified Output Current	$I_O$	0.5			A
Non-Repetitive Peak Forward Surge Current 8.3ms single half sine-wave superimposed on rated load	$I_{FSM}$	5.5			A
Power Dissipation	$P_d$	250			mW
Typical Thermal Resistance Junction to Ambient	$R_{\theta JA}$	244			°C/W
Operating and Storage Temperature Range	$T_j, T_{stg}$	-65 to +125			°C
Voltage Rate of Change	$dv/dt$	1000			V/ $\mu$ s

# Diode Semiconductor Korea

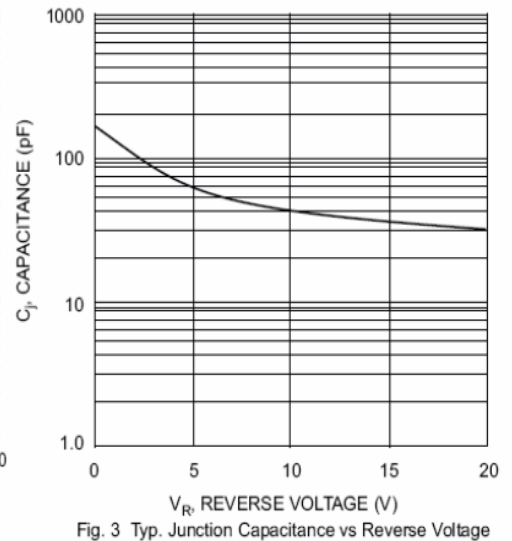
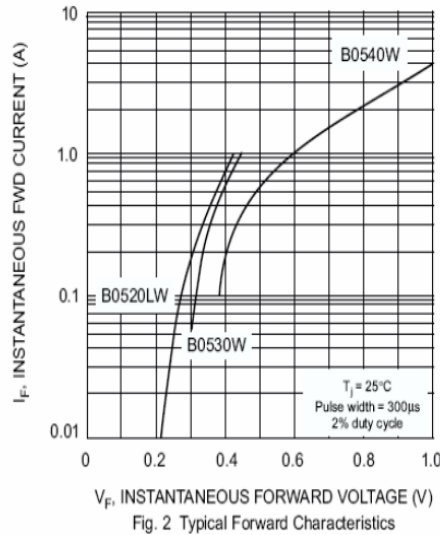
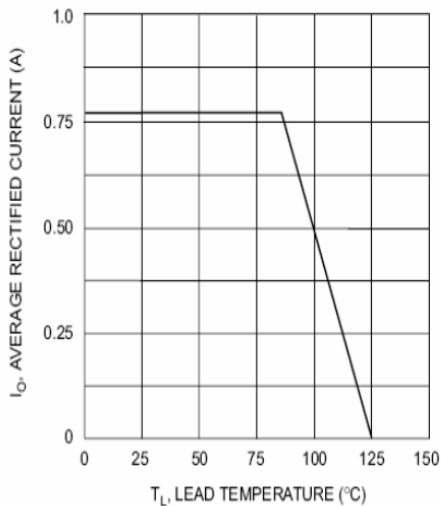
## Schottky Barrier Diode

## B0520LWS/B0530WS/B0540WS

ELECTRICAL CHARACTERISTICS @ Ta=25°C unless otherwise specified

Characteristic	Symbol	B0520LW	B0530W	B0540W	Unit	Test Conditions
Minimum Reverse Breakdown Voltage	$V_{(BR)R}$	20 - -	- 30 -	- - 40	V	$I_R = 250\mu A$ $I_R = 130\mu A$ $I_R = 20\mu A$
Maximum Forward Voltage Drop	$V_{FM}$	0.300 0.385 -	0.375 0.430 -	- 0.510 0.620	V	$I_F = 0.1A$ , $I_F = 0.5A$ , $I_F = 1.0A$ ,
Maximum Leakage Current	$I_{RM}$	75 - 250 - -	- 20 - 130 -	- - 10 - 20	$\mu A$	$V_R = 10V$ , $V_R = 15V$ , $V_R = 20V$ , $V_R = 30V$ , $V_R = 40V$ ,
Reverse Recovery Time	$t_{rr}$	4			ns	$I_F = I_R = 10mA$ $I_{rr} = 0.1I_R, R_L = 100\Omega$
Junction Capacitance	$C_J$	170			pF	$f = 1MHz, V_R = 0V DC$

TYPICAL CHARACTERISTICS @ Ta=25°C unless otherwise specified



# Diode Semiconductor Korea

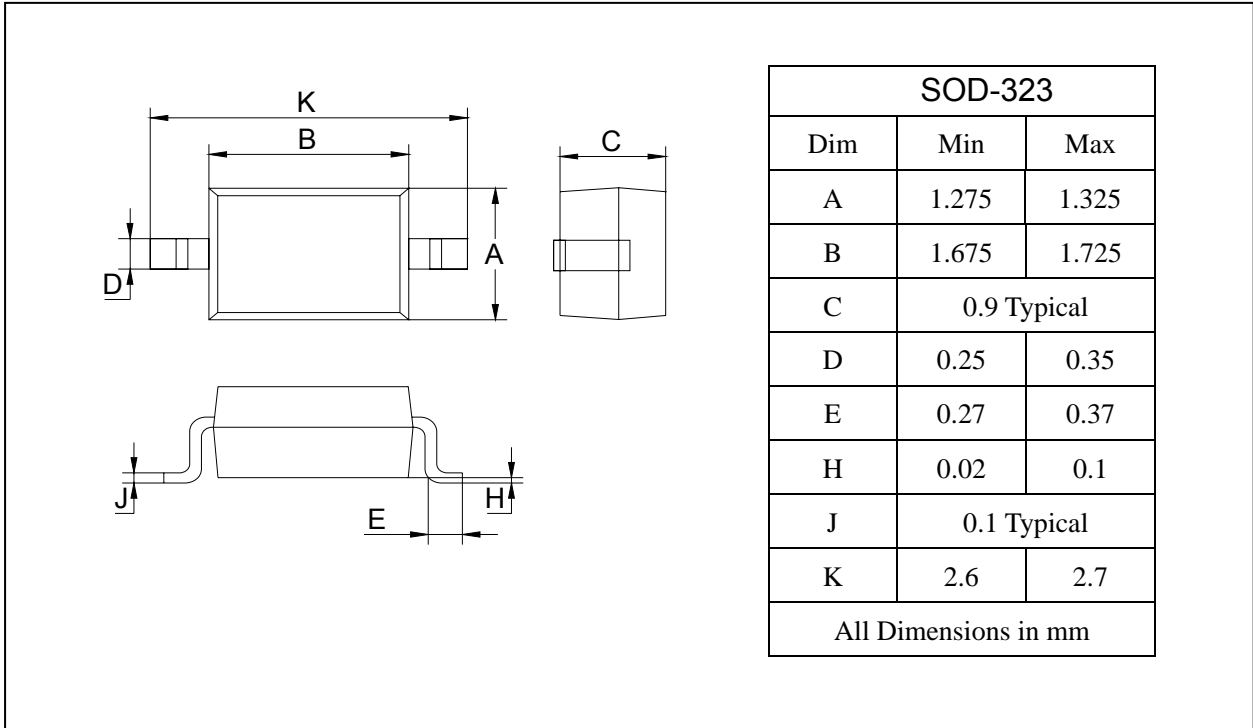
Schottky Barrier Diode

**B0520LWS/B0530WS/B0540WS**

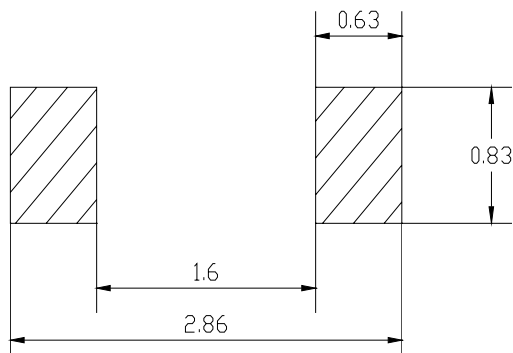
## PACKAGE OUTLINE

Plastic surface mounted package

SOD-323



## SOLDERING FOOTPRINT



Unit :mm

## PACKAGE INFORMATION

Device	Package	Shipping
B0520LWS/B0530WS/B0540WS	SOD-323	3000/Tape&Reel