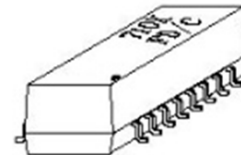


FIBRE CHANNEL

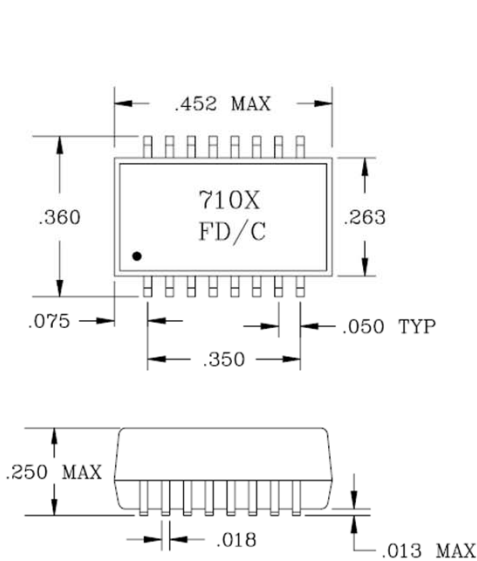
Dual Transformer

7101-7104

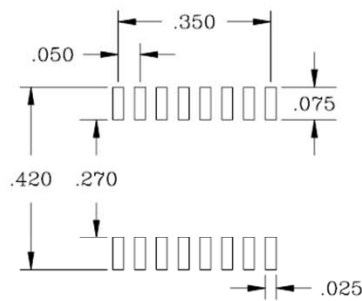
- Designed for use with 75Ω Coaxial or 150Ω STP Cable
- Fast rise time and low baseline wander



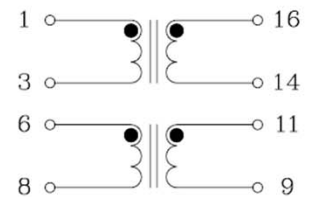
MECHANICAL AND SCHEMATIC (All dimensions in inches)



SUGGESTED PAD LAYOUT



SCHEMATIC



SELECTION TABLE		
Baud Rate (MHz)	Coax Cable (75 Ω)	STP Cable (150 Ω)
133	7103	7104
266	7102	7103
531	7101	-

UNLESS OTHERWISE SPECIFIED, ALL TOLERANCES ARE ±0.010

ELECTRICAL SPECIFICATION @ 25°C

Part Number	Turns Ratio (±5%)	Primary Inductance (μH MIN)	Rise Time @20-80% (ns MAX)	C _{ww} (pF MAX)	L _L sec (μH MAX)	DCR (Ω MAX)	Hipot (Vrms MIN)
7101	1:1	7.5	0.5	5.0	.10	.20	2000
7102	1:1	15.0	0.8	5.0	.10	.20	2000
7103	1:1	30.0	1.6	5.0	.10	.20	2000
7104	1:1	60.0	2.0	5.5	.10	.20	2000