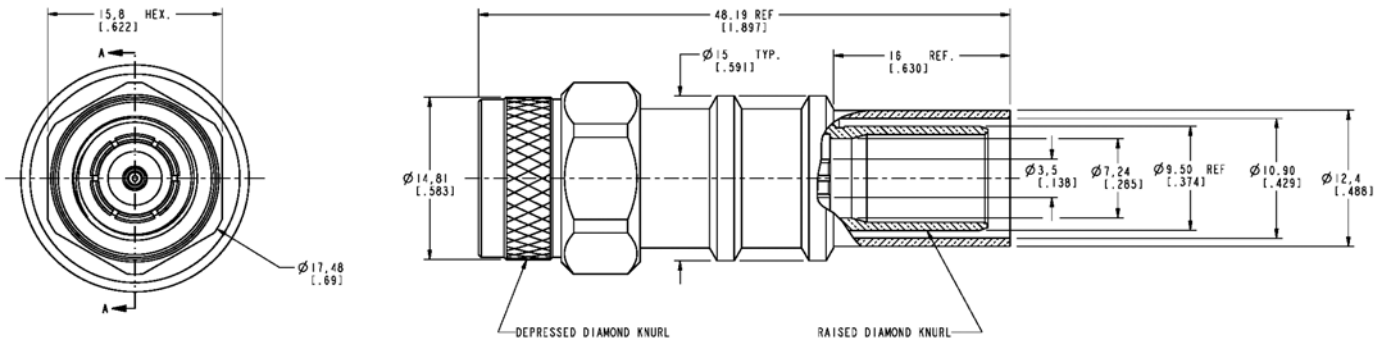


NOTICE OF PROPRIETARY RIGHTS THIS DOCUMENT CONTAINS CONFIDENTIAL TECHNICAL DATA, INCLUDING TRADE SECRETS, PROPRIETARY TO TIMES MICROWAVE SYSTEMS. DISCLOSURE OF THIS DATA IS EXPRESSLY CONDITIONED UPON YOUR ASSENT THAT ITS USE IS LIMITED TO USE WITHIN YOUR COMPANY ONLY. ANY OTHER USE IS STRICTLY PROHIBITED WITHOUT THE PRIOR WRITTEN CONSENT OF TIMES MICROWAVE SYSTEMS.

SYM	REVISION DESCRIPTION	DFTM	DATE	APPD	DATE
A	RELEASED FOR PRODUCTION	K. A. M.	2/25/10	J. D. B.	3/11/10

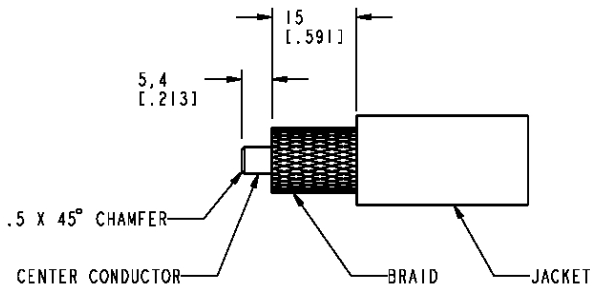


NOTES:

- MATERIALS AND FINISHES:**
 BODY : BRASS, WHITE BRONZE PLATE
 COUPLING NUT: BRASS, WHITE BRONZE PLATE
 CENTER CONTACT: BERYLLIUM COPPER, GOLD PLATE
 FERRULE: COPPER, WHITE BRONZE PLATE
- ELECTRICAL:**
 IMPEDANCE: 50 OHMS NOMINAL
 FREQUENCY: DC-11 GHz
 VSWR: 1.2 DC-8 GHz
 1.35 8-11 GHz
 DIELECTRIC WITHSTANDING VOLTAGE: 1,500 VOLTS RMS

MECHANICAL:
 DURABILITY: 500 CYCLES MIN.
 TEMPERATURE RANGE: -65°C TO +165°C

- CABLING INSTRUCTIONS:**
- SLIDE FERRULE OVER CABLE JACKET
 - TRIM CABLE TO DIMENSIONS SHOWN. MAKE SURE CUTS ARE SHARP AND SQUARE. DO NOT NICK BRAID OR CENTER CONDUCTOR.
 - FLAIR BRAID SLIGHTLY AND INSERT CABLE INTO BODY UNTIL BOTTOMED. (CONTACT SUPPLIED ASSEMBLED) SLIDE THE FERRULE UP THE CABLE AND OVER THE BRAID UNTIL BOTTOMED ON BODY. CRIMP FERRULE USING A .429 HEX.



CABLE TRIMMING DIMENSIONS

MATERIAL:	UNLESS OTHERWISE SPECIFIED		DFTM: K. A. M.	TIMES MICROWAVE SYSTEMS
	DIMENSIONS ARE IN mm		DATE: 2/25/10	
USED ON: 1	Tolerances are:		CHKD: J. D. B.	PLUG, TNC, EZ FOR LMR-400
	1 PLACE DECIMAL ± 0.3MM (.012")	2 PLACE DECIMAL ± .10 MM (.004")	ANGLES ± 1°	
SCALE: ~	DWG. SIZE: A	DO NOT SCALE DRAWING	APPD: J. D. B.	DATE: 3/11/10
	CODE IDENT: 68999		DATE: 3/11/10	1 of 1 SD3190-2533 A