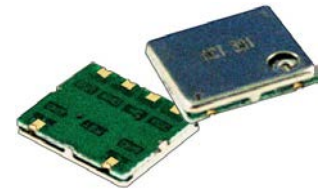


ACT381T-4, ACT381T-6 CSW TCXO/VCTCXO

- Stability: ± 1.5 ppm
- Accuracy: Mechanical trimmer
- Output: Clipped Sine Wave



Characteristics

Frequency Range (MHz)	10~30
Supply voltage $\pm 5\%$ Vcc (V _{DC})	3.3, 5.0
Operating temperature Top (°C)	Table 1
Operating Current (mA max)	3
Stability v T op (ppm)	Table 1
Stability v Vcc(ppm)	0.3 (5%)
Stability v Load (ppm)	0.3(10%)
Aging @25°C (ppm)	1 per year
Tolerance @ 25°C (ppm)	Mechanical trimmer
Load $\pm 10\%$	10K Ω //10pF
Output voltage (V)	0.7 (3.3V), 1.0 (5V)
Mechanical Trimmer(\pm ppm)	3
VCTCXO only	
Slope / Linearity	Positive/10%, 5% option
Control voltage (V _{DC})	1.65 \pm 1.35 / 2.5 \pm 2.0
Frequency Tuning (\pm ppm)	5 (3.3V), 15 (5V)

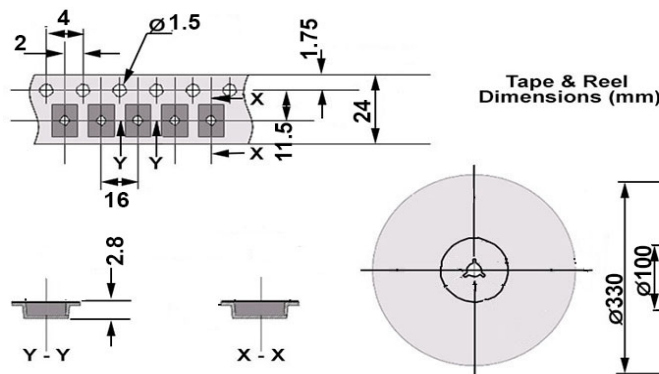
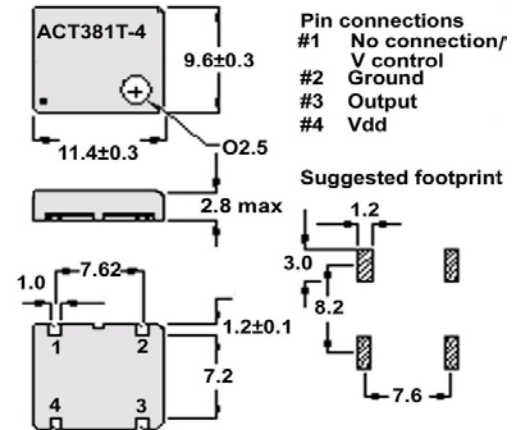
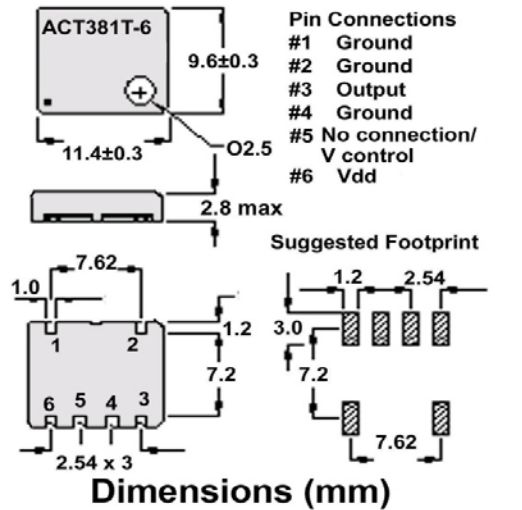
Rating

Storage temperature (°C)	-55~+125
--------------------------	----------

Notes:

ESD sensitive, take appropriate precautions.

Table 1	Stability (ppm)					
	± 1.5	± 2.0	± 2.5	± 3.0	± 3.5	± 5.0
0~50	✓	✓	✓	✓	✓	✓
-10+60	✓	✓	✓	✓	✓	✓
-20+70	✓	✓	✓	✓	✓	✓
-30+75		✓	✓	✓	✓	✓
-30+85		✓	✓	✓	✓	✓



Please note that all parameters can not necessarily be specified in the same device. To specify: Please refer to part numbering system appended to the end of this data

ISO9001 Registered

For quotations or further information please contact us at:
 3 The Business Centre, Molly Millars Lane, Wokingham, Berkshire, RG41 2EY
 Issue No. 11 D2p Date:

07/10/2013

ACT381T-4, ACT381T-6 CSW TCXO/VCTCXO

TCXO PART NUMBERING

T15	2700	F	B	D	N	B	B	X	Z	C	-PF
381T-4	27.00MHz	±5 ppm	3.3 V _{DC}	0 ~ 50 °C	None		3 CSW	Pos	Not spec %	1K Reel	RoHS

381T-4	T15
381T-6	T16
381T-6	T19
No trimmer	

Stability v T _{OP} ±ppm	
5	F
3.5	K
3	L
2.5	M
2	N
1.5	O

T _{OP} °C	
0 ~ 50	D
-10 ~ -60	F
-20 ~ 70	B
-30 ~ 75	W
-30 ~ 85	G

Polarity	
None	X

Commodity Code
854370 90 80

Standard

V _{CC}	V _{DC}
3.3	B
5	A

Frequency tuning	
None	N
Int pot	I

Duty Cycle % / %	
Not spec	Z

Output	
CSW	B

Mechanical Tuning ±ppm	
3	B
None	X

Tape & Reel	
1K	C
Loose	L

Frequency:
 Please enquire if the frequency/stability combination has been developed.
 For part numbering use the first 4 characters of the frequency in Hz i.e. 27MHz = 27000000Hz so the code used in the part number is 2700. If the frequency is 100MHz or higher then the first 5 characters are used.

Example
 T15 - 2700FBDNBBXZC-PF 27.00MHz

Table 1 Temp °C	Stability (ppm)					
	±1.5	±2.0	±2.5	±3.0	±3.5	±5.0
0~50	✓	✓	✓	✓	✓	✓
-10+60	✓	✓	✓	✓	✓	✓
-20+70	✓	✓	✓	✓	✓	✓
-30+75		✓	✓	✓	✓	✓
-30+85		✓	✓	✓	✓	✓

ACT381T-4, ACT381T-6 CSW TCXO/VCTCXO

VCTCXO PART NUMBERING

VT15	2700	F	B	D	E	B	B	D	P	D	Z	C	-PF
381VT-4	27.00MHz	±5 ppm	3.3 V _{DC}	0 ~ 50 °C	Vcntl only*		3	± ppm	Pos	± %	Not spec %	1K	RoHS

381VT-4	VT15
381VT-6	VT16

Stability v T _{OP} ±ppm	
5	F
3.5	K
3	L
2.5	M
2	N
1.5	O

T _{OP} °C	
0 ~ 50	D
-10 ~ -60	F
-20 ~ 70	B
-30 ~ 75	W
-30 ~ 85	G

Electrical Tuning ±ppm	
5	D
15	H

Commodity Code
854370 90 80

 Standard

V _{CC}	V _{DC}
3.3	B
5	A

Frequency tuning	
Vcntl only	E
Mec+Vcntl	B

* Enquire

Polarity	
Positive	P

Linearity ±%	
5	D
10	H

Output	
CSW	B

Duty Cycle % / %	
Not spec	Z

Tape & Reel	
1K	C
Loose	L

Mechanical Tuning ±ppm	
3	B
None	X

Frequency:
 Please enquire if the frequency/stability combination has been developed.
 For part numbering use the first 4 characters of the frequency in Hz i.e. 27MHz = 27000000Hz so the code used in the part number is 2700. If the frequency is 100MHz or higher then the first 5 characters are used.

Example

VT15 - 2700FBDEBBDPDZC-PF 27.00MHz

Table 1	Stability (ppm)						
	Temp °C	±1.5	±2.0	±2.5	±3.0	±3.5	±5.0
0~50	✓	✓	✓	✓	✓	✓	✓
-10+60	✓	✓	✓	✓	✓	✓	✓
-20+70	✓	✓	✓	✓	✓	✓	✓
-30+75		✓	✓	✓	✓	✓	✓
-30+85		✓	✓	✓	✓	✓	✓

ISO9001 Registered

For quotations or further information please contact us at:
 3 The Business Centre, Molly Millars Lane, Wokingham, Berkshire, RG41 2EY
 Issue No. 11 D2p Date: 07/10/2013