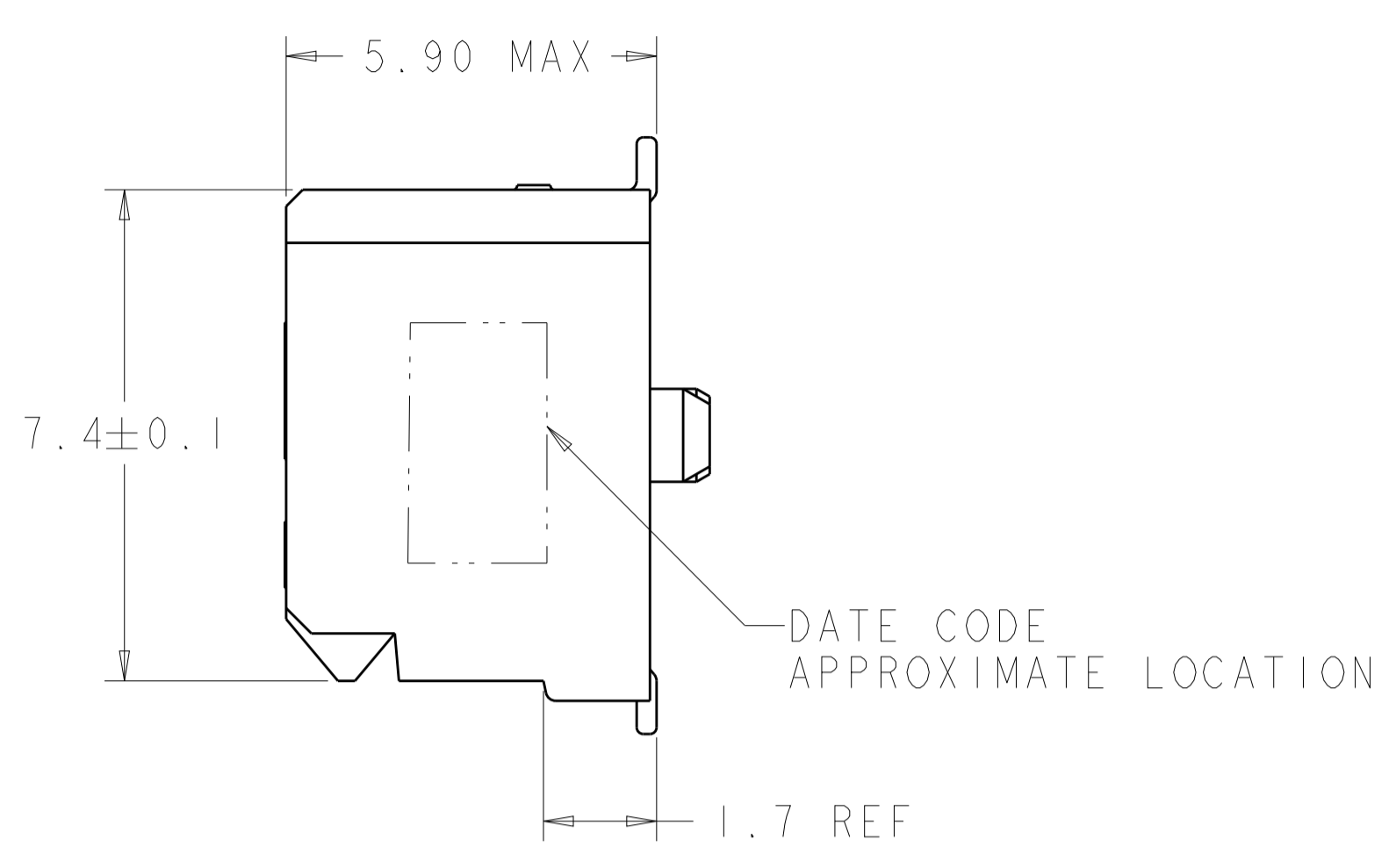
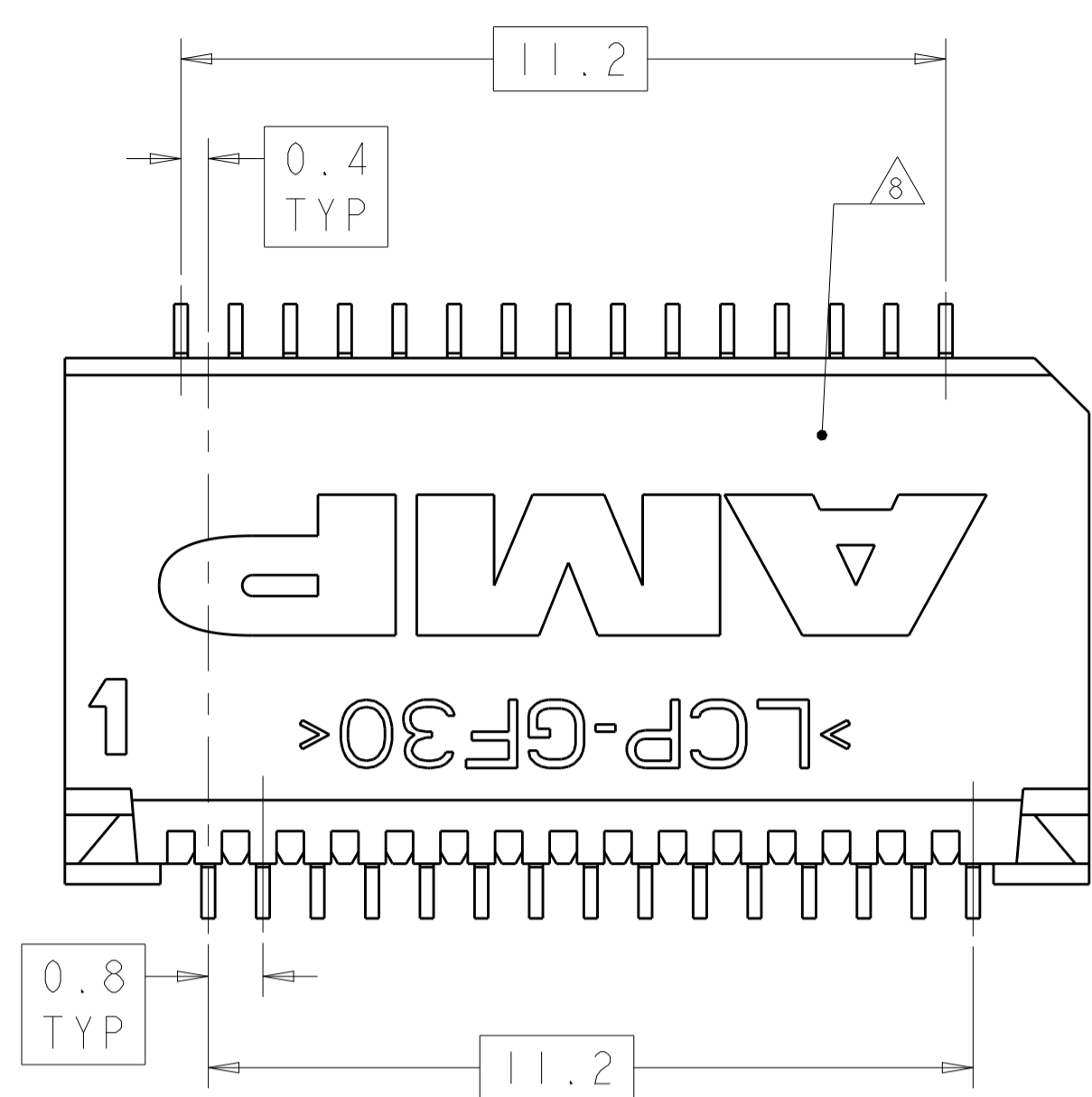
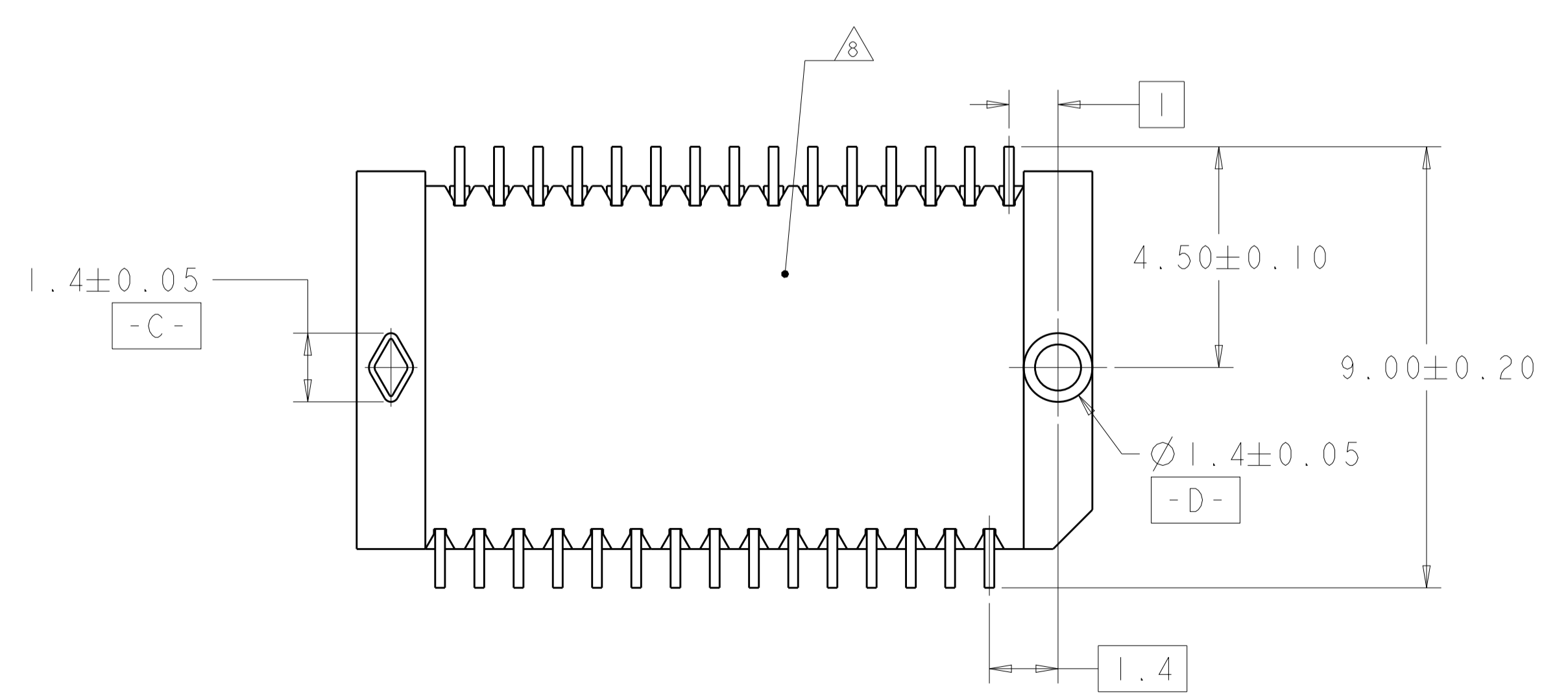
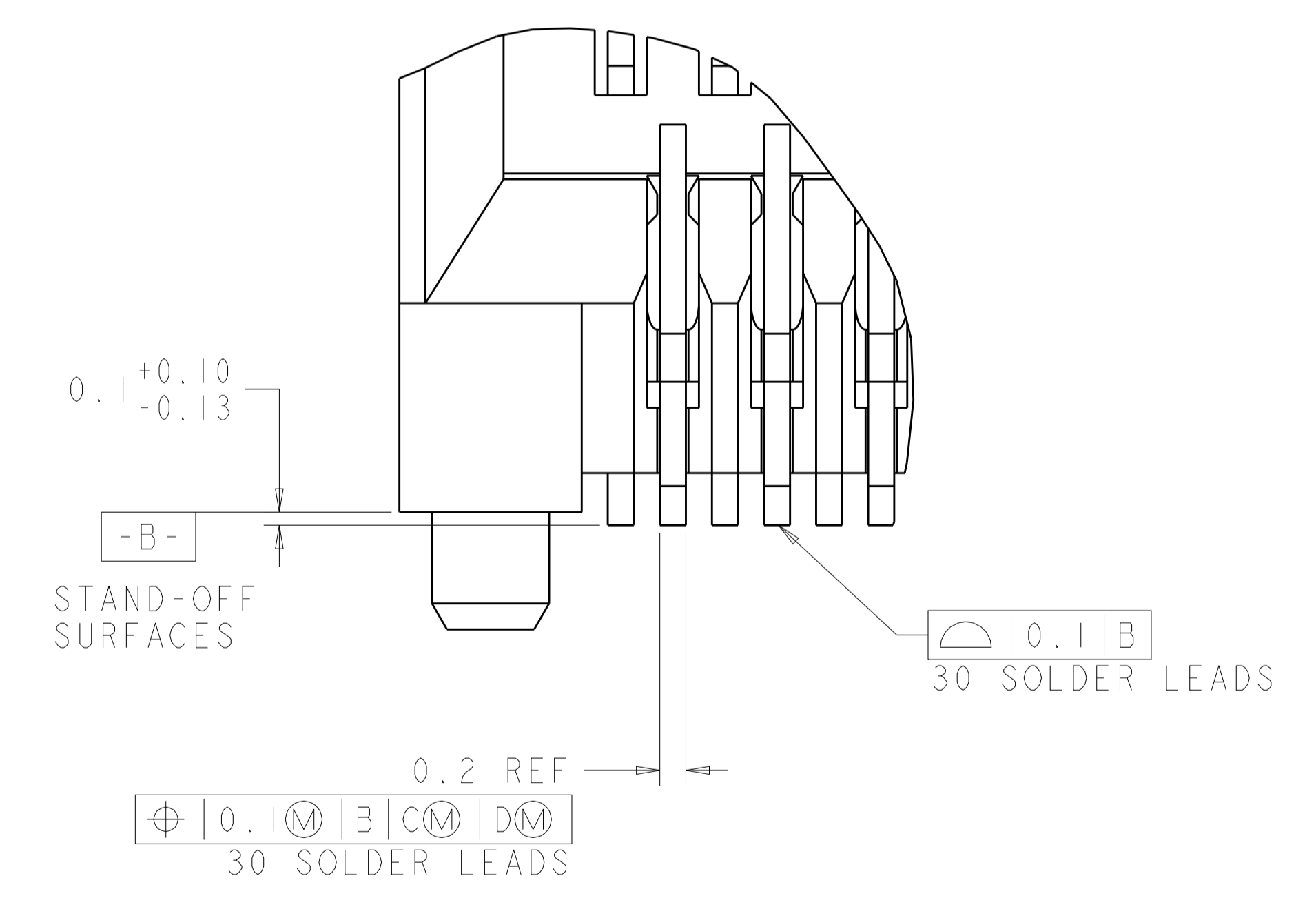
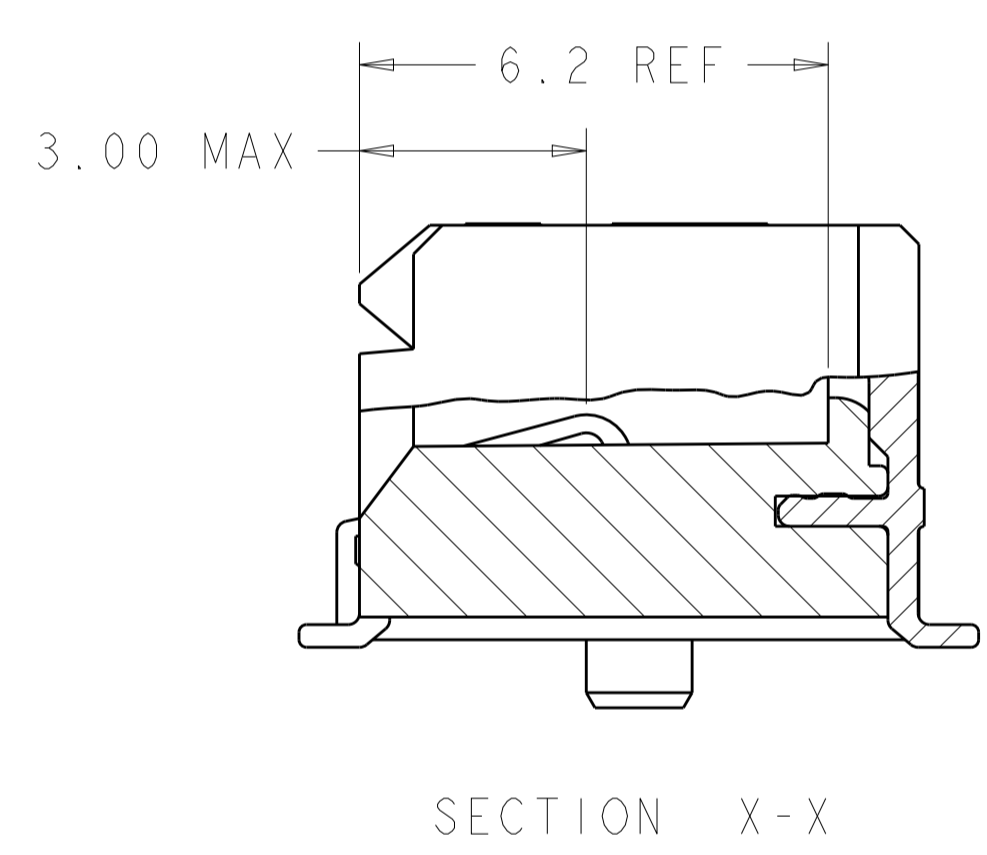
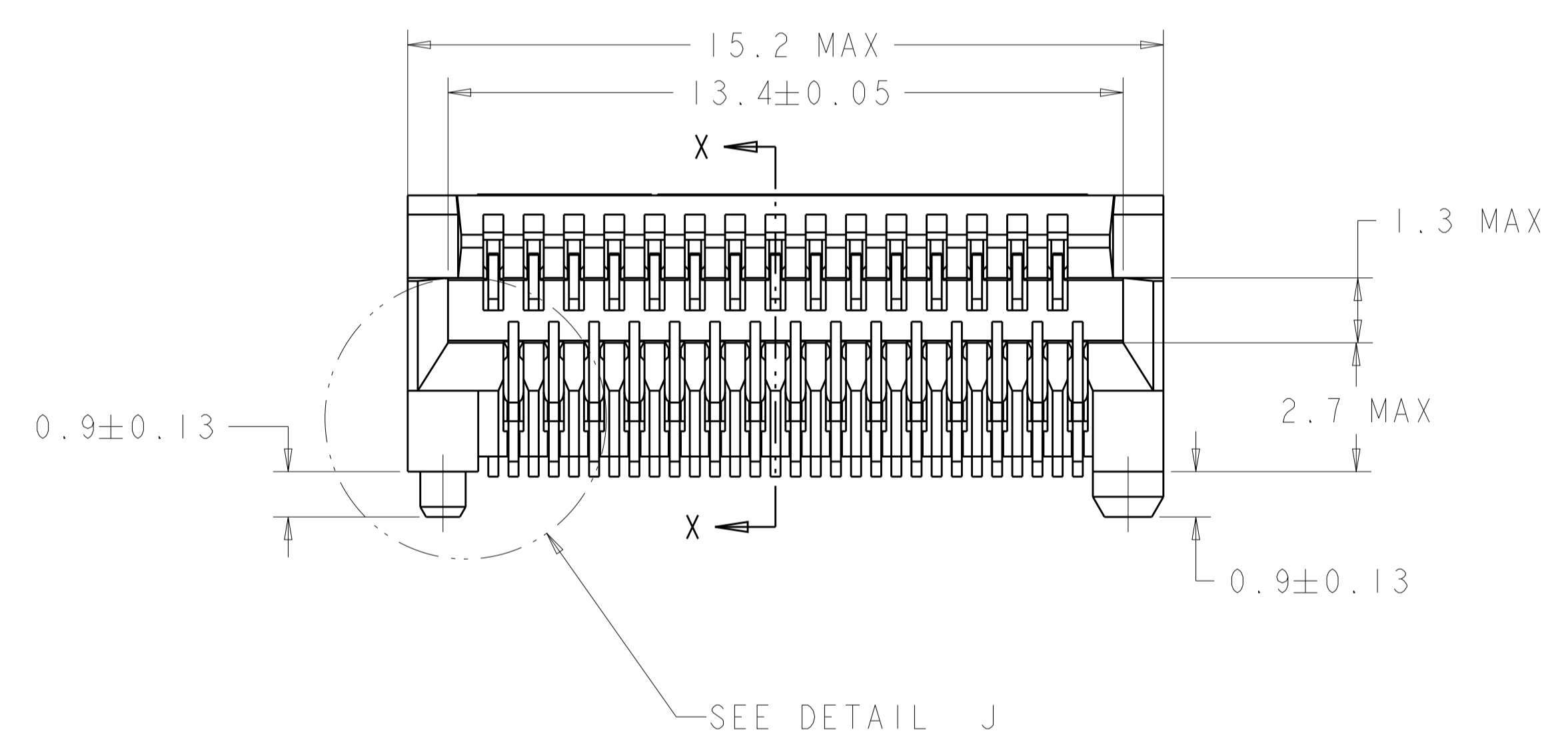


LOC	DIST	REV	DATE	BY	CHKD	APPD
ES	00					

REVISIONS			DATE	BY	CHKD	APPD
K	REVISED PER ECO-12-013119		16 JUL 2012	AZ	AC	
K1	REVISED PER ECO-16-011108		26 JUL 2016	PP	SH	



- PART COMPATIBLE WITH XFP MSA. REFER TO THE XFP MSA FOR DIMENSIONS NOT SHOWN ON THIS PRINT.
- HOUSING MATERIAL: HIGH TEMPERATURE LCP, UL 94V-0 COLOR WHITE
CONTACT MATERIAL: PHOSPHOR BRONZE
- CONTACTS: 0.00076 MIN GOLD IN CONTACT AREA, 0.00013 MIN GOLD ON SOLDER AREA, OVER 0.0038 MIN NICKEL UNDERPLATE ON ENTIRE CONTACT. LUBRICANT ON GOLD PLATE CONTACT AREAS.
- PACKAGED 480 PIECES PER REEL
- GROUND, POWER, AND SIGNAL PAD ARRANGEMENT TO BE DETERMINED BY CUSTOMER
- DATUMS AND BASIC DIMENSIONS TO BE ESTABLISHED BY CUSTOMER
- SOLDER MASK KEEP OUT AREA.
- PULL GROOVES PERMITTED ON THESE SURFACES AT MOLDING ENGINEERING DISCRETION
- THE WIDTH OF TAPE REEL IS 24.00MM.
- THE WIDTH OF TAPE REEL IS 32.00MM

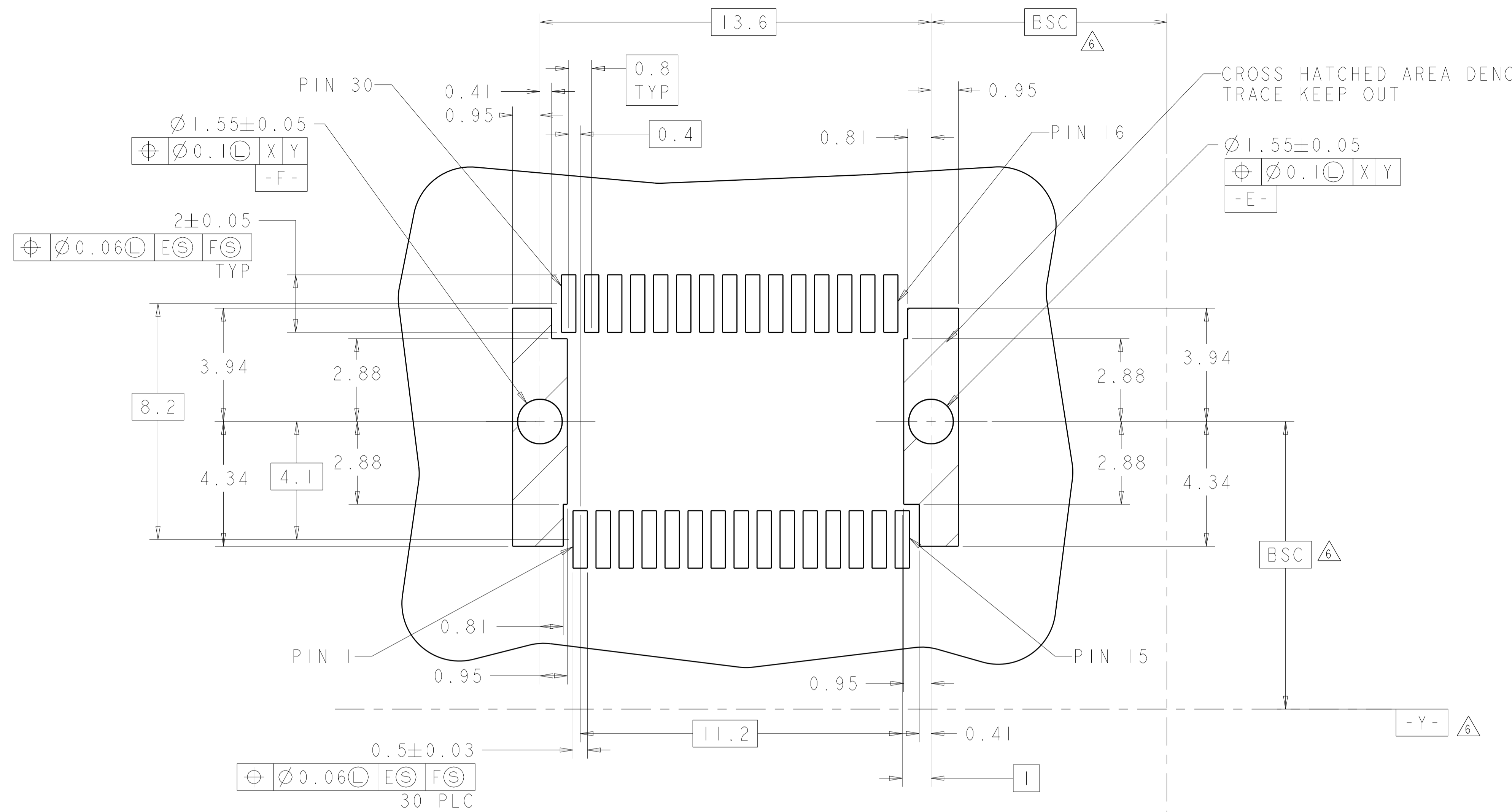


DETAIL J
SCALE 25:1

△0	YES	1367500-3
△9	YES	1367500-2
△9	NO	1367500-1
	DATE CODE	PART NUMBER

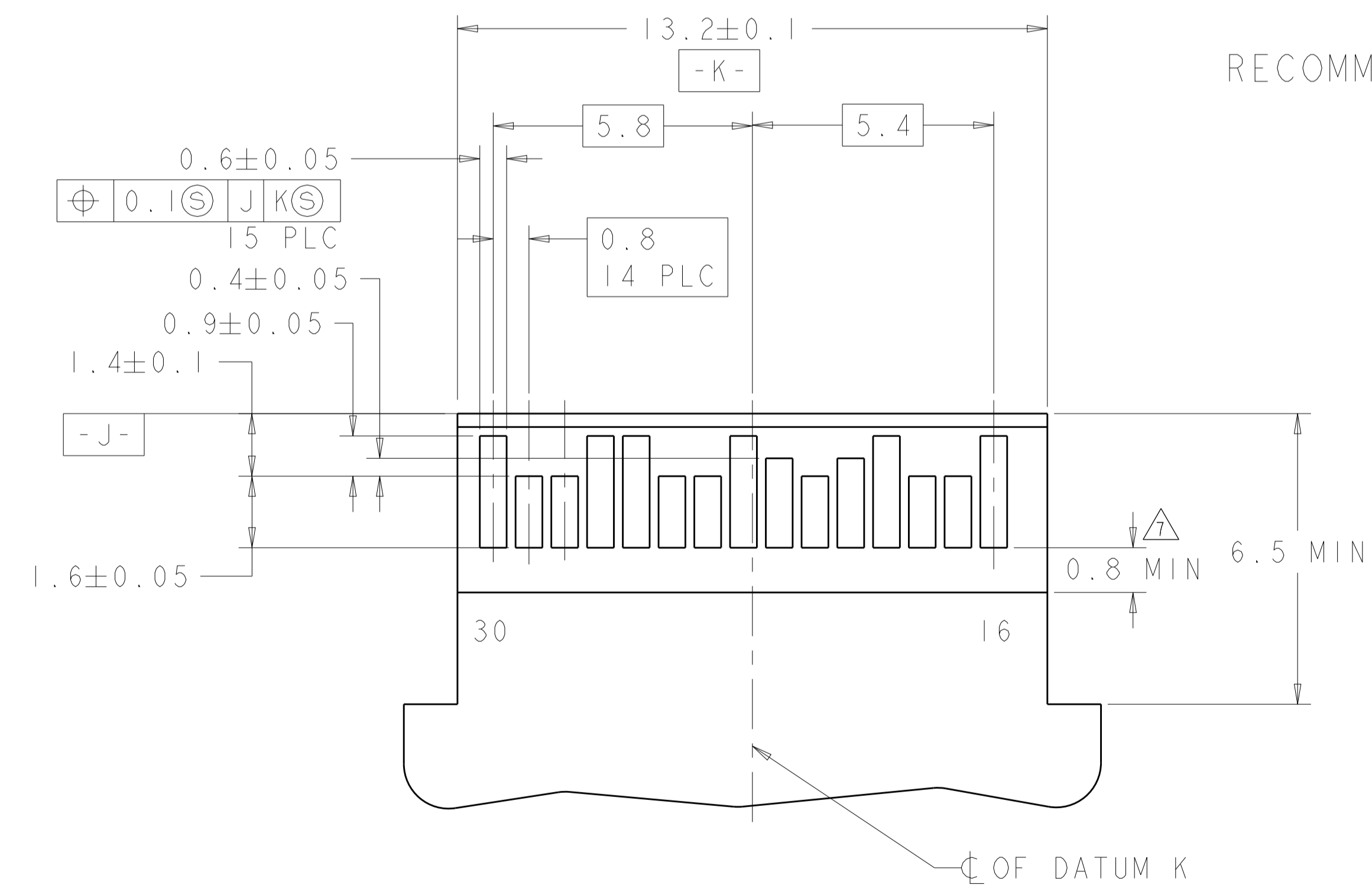
DIMENSIONS: mm 0 PLC ± 1 PLC ±0.10 2 PLC ± 3 PLC ± 4 PLC ± ANGLES ± FINISH		TOLERANCES UNLESS OTHERWISE SPECIFIED: 0 PLC ± 1 PLC ±0.10 2 PLC ± 3 PLC ± 4 PLC ± ANGLES ± FINISH		DWN P. KERLIN 17JAN03 CHK J. KOPPENHEFFER 06OCT03 APVD M. WALMSLEY 06OCT03 NAME PT CONNECTOR ASSEMBLY, ENHANCED PERFORMANCE, 30 POSITION XFP, RTANG, 0.8MM PITCH PRODUCT SPEC 108-1949 APPLICATION SPEC 114-13017 WEIGHT CUSTOMER DRAWING		Tyco Electronics Corporation Shanghai, P.R. China, 200233 SIZE CAGE CODE DRAWING NO RESTRICTED TO A100779C=1367500 SCALE 6:1 SHEET 1 OF 3 REV K1	
---	--	---	--	--	--	--	--

LOC	DIST	REV	DATE	BY	APPV
ES	00				

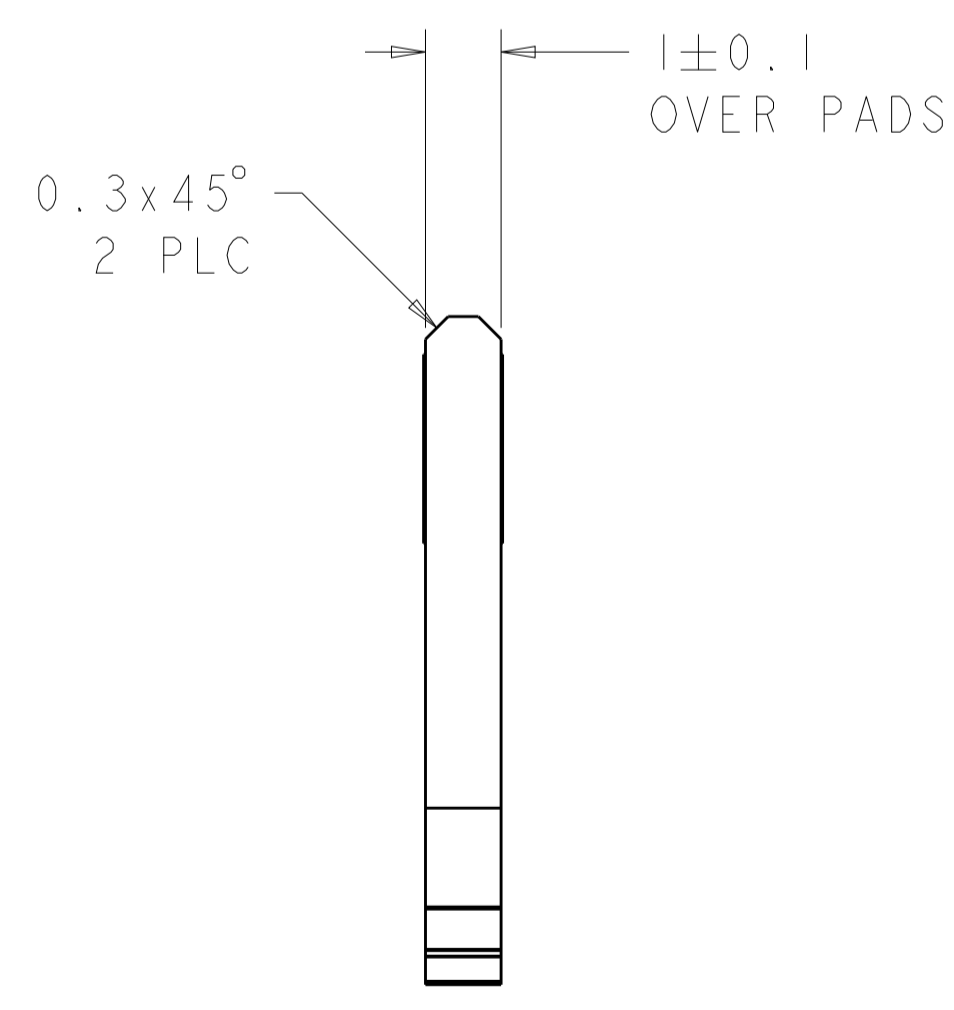


CROSS HATCHED AREA DENOTES TRACE KEEP OUT

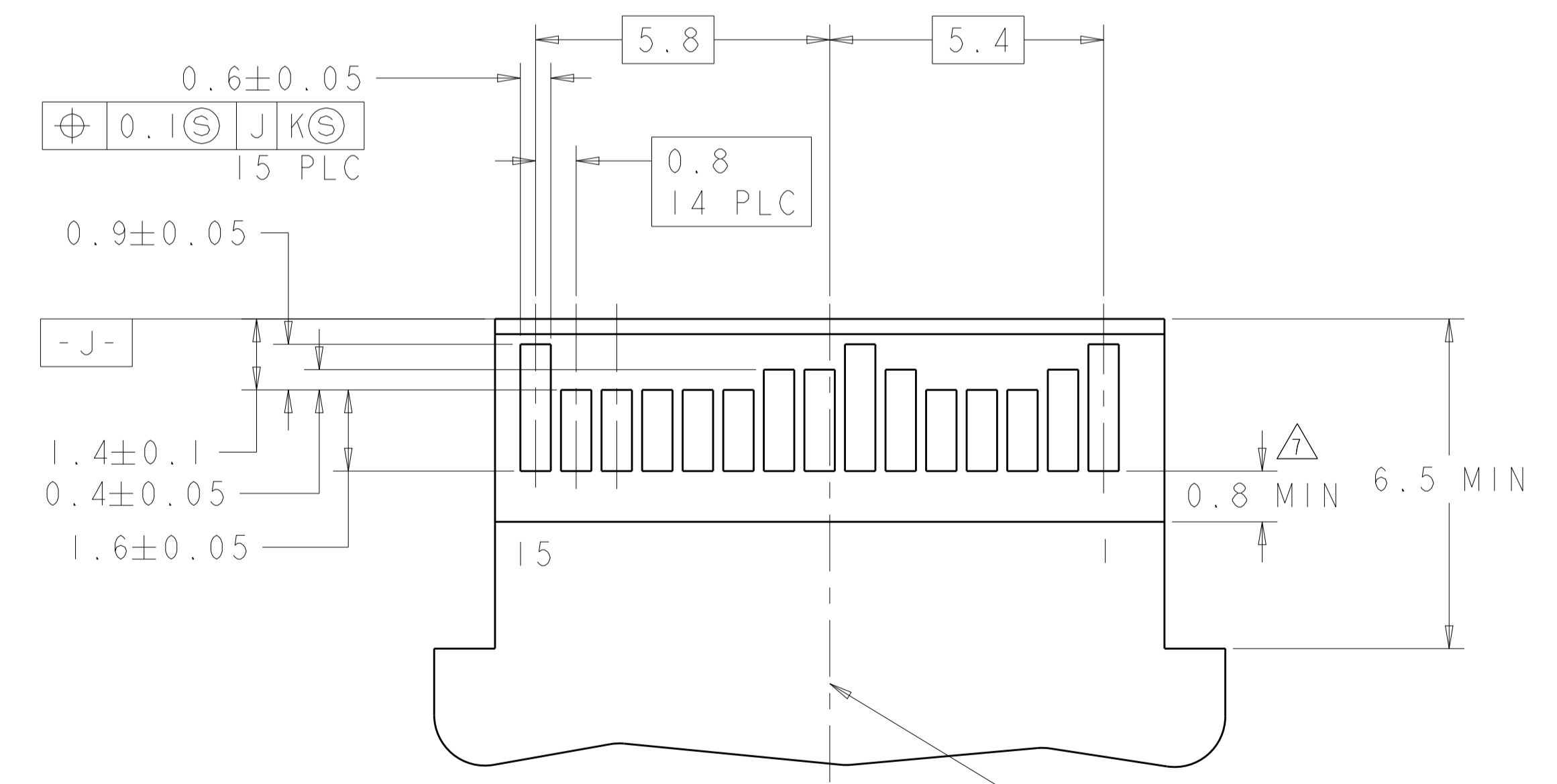
RECOMMENDED PCB CONFIGURATION



TOP VIEW



RECOMMENDED MATING PCB CONFIGURATION

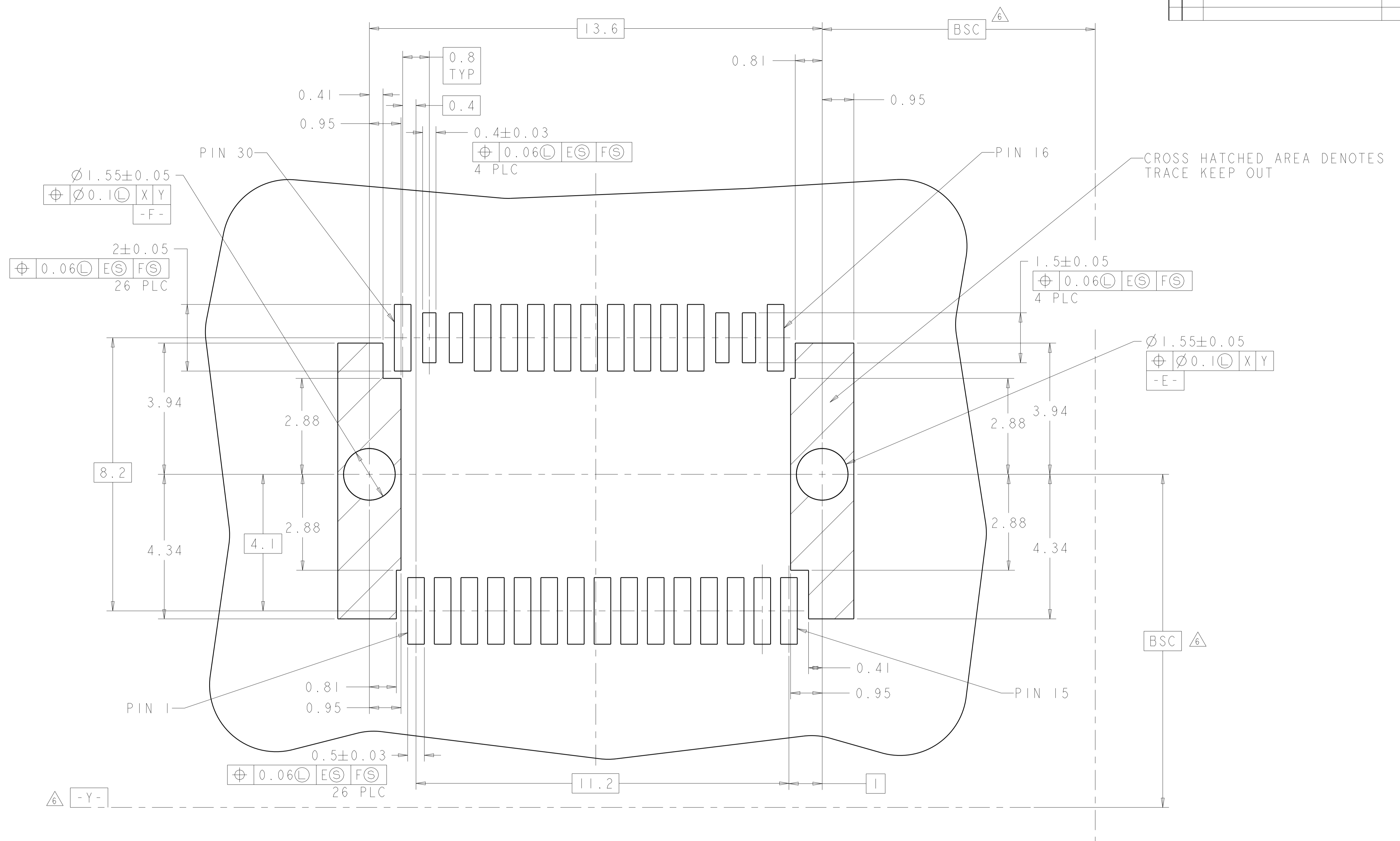


BOTTOM VIEW

DIMENSIONS: mm TOLERANCES UNLESS OTHERWISE SPECIFIED: 0 PLC ± 1 PLC ±0.10 2 PLC ± 3 PLC ± 4 PLC ± ANGLES ± FINISH		DWN P. KERLIN 17JAN03 CHK J. KOPPENHEFFER 06OCT03 APVD M. WALMSLEY 06OCT03 PRODUCT SPEC 108-1949 APPLICATION SPEC 114-13017 WEIGHT CUSTOMER DRAWING	Tyco Electronics Corporation Shanghai, P.R. China, 200233 NAME PT CONNECTOR ASSEMBLY, ENHANCED PERFORMANCE, 30 POSITION XFP, RTANG, 0.8MM PITCH SIZE CAGE CODE DRAWING NO. RESTRICTED TO A100779C=1367500 SCALE 10:1 SHEET 2 OF 3 REV KI
---	--	---	---

LOC	DIST	REV	DATE	BY	APPV
ES	00				

REVISIONS			
NO.	DESCRIPTION	DATE	BY
1	SEE SHEET 1		



OPTIONAL LAYOUT FOR IMPROVED SIGNAL INTEGRITY, MOUNTING SIDE
 SCALE 16:1

DIMENSIONS: mm 		TOLERANCES UNLESS OTHERWISE SPECIFIED: 0 PLC ± 1 PLC ±0.10 2 PLC ± 3 PLC ± 4 PLC ± ANGLES ± FINISH		DWG P. KERLIN 17JAN03 CHK J. KOPPENHEFFER 06OCT03 APVD M. WALMSLEY 06OCT03 PRODUCT SPEC 108-1949 APPLICATION SPEC 114-13017 WEIGHT CUSTOMER DRAWING		Tyco Electronics Corporation Shanghai, P.R. China, 200233 NAME PT CONNECTOR ASSEMBLY, ENHANCED PERFORMANCE, 30 POSITION XFP, RTANG, 0.8MM PITCH SIZE CAGE CODE DRAWING NO RESTRICTED TO A100779C=1367500 SCALE 6:1 SHEET 3 OF 3 REV KI	
-----------------------	--	---	--	---	--	---	--