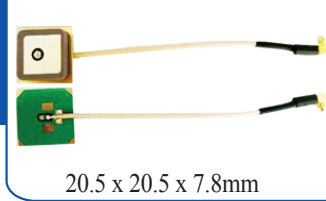


# RFID Reader (Passive)



20.5 x 20.5 x 7.8mm

**ARRCN5-915.000MHz**

**RoHS/RoHS II Compliant**

MSL level: Not Applicable

➤ **FEATURES:**

- High Gain
- Easy to install
- RF Cable and Connector
- RoHS Compliant

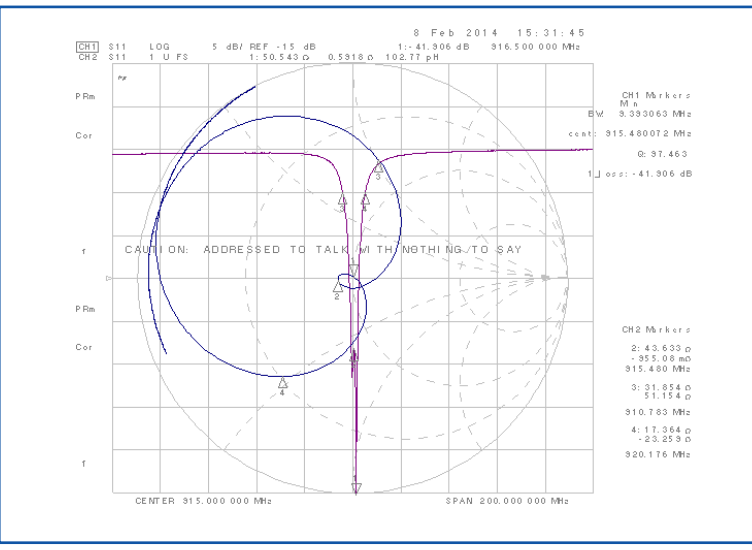
➤ **TYPICAL APPLICATIONS:**

RFID systems for Logistic & Inventory Management of Retail, Pharmaceutical, Automotive Industries; Industrial automation, Contactless smart cards.

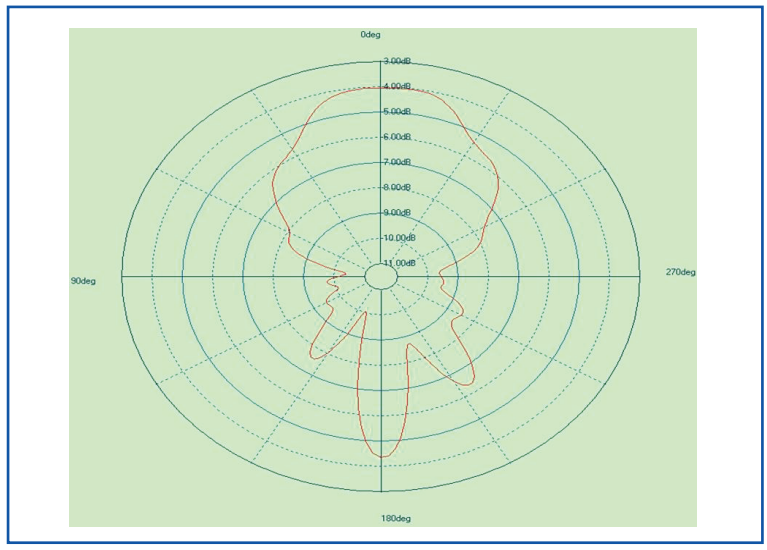
➤ **STANDARD SPECIFICATIONS:**

| Parameters          | Min. | Typ.  | Max. | Units | Note                          |
|---------------------|------|-------|------|-------|-------------------------------|
| Center Frequency    |      | 915±3 |      | MHz   |                               |
| V.S.W.R             |      | 1.5   |      |       |                               |
| Bandwidth           | 2.0  |       |      | MHz   | V.S.W.R<1.5                   |
| Impedence           |      | 50    |      | Ω     |                               |
| Gain                |      | -5.0  |      | dBi   | Based on 70×70mm ground plane |
| Polarization        |      | RHCP  |      |       |                               |
| Working Temperature | -40  |       | +80  | °C    |                               |
| Storage Temperature | -45  |       | +85  | °C    |                               |

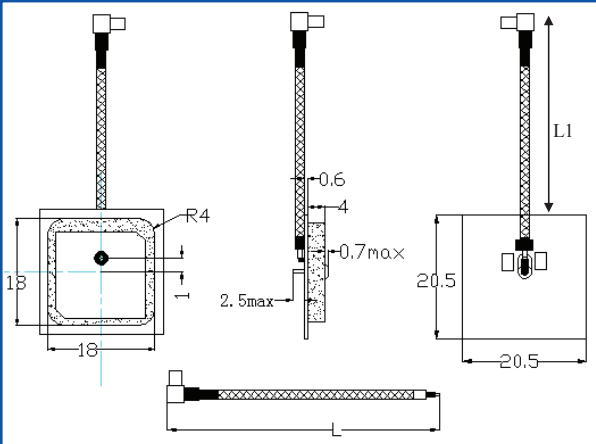
➤ **SMITH CHART:**



➤ **RADIATION PATTERN**



➤ **OUTLINE DRAWING:**



Unit: mm

Other Tolerance: ±0.2mm

| Description  | Material                                    |
|--------------|---|
| Antenna Type | Dielectric 18x18x4mm Ceramics               |
| PCB          | FR4, 20.5mm                                 |
| RF Cable     | RG178, Ø2.7±0.3mm , L1=100± 5mm, L=110± 5mm |
| RF Connector | MMCX-JW3                                    |
| Thickness    | 7.8mm Max                                   |

ABRACON IS  
ISO9001:2008  
CERTIFIED



Visit [www.abracon.com](http://www.abracon.com) for Terms & Conditions of Sale **Revised 11.17.14**  
30332 Esperanza, Rancho Santa Margarita, California 92688  
tel 949-546-8000 | fax 949-546-8001 | [www.abracon.com](http://www.abracon.com)

# RFID Reader (Passive)

ARRCN5-915.000MHz

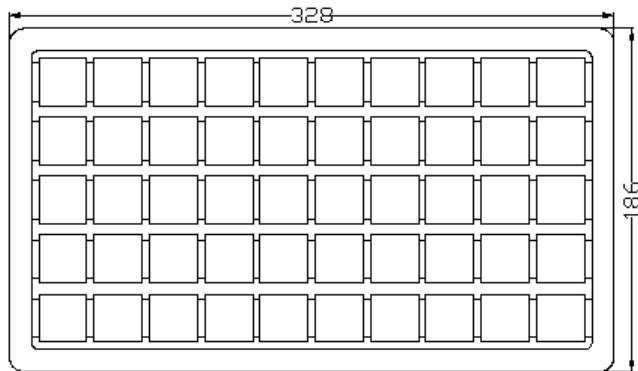
RoHS/RoHS II Compliant



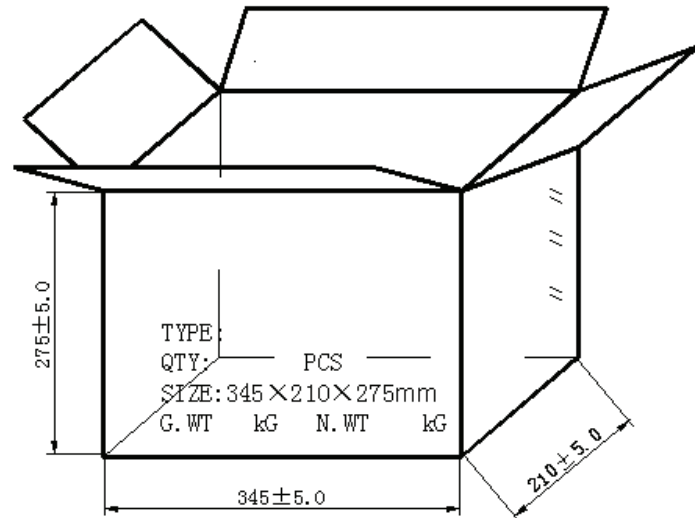
20.5 x 20.5 x 7.8mm

## TAPE & REEL:

Each tray contains 50pcs of RFID Reader. There are 5 trays per vacuum bag, and 4 vacuum bags per carton (outer box). The size of each carton is 345\*210\*275mm.



Tray



Outer Box

| Package Type | Quantity           |
|--------------|--------------------|
| Tray         | 50 pcs/tray        |
| Vacuum Bag   | 200pcs/vacuum bag  |
| Outer Box    | 1000 pcs/outer box |

Unit: mm

## CAUTION:

- (1) Do not apply excess mechanical stress to the component body or terminations. Do not attempt to re-form or bend the components as this will cause damage to the component.
- (2) Do not expose the component to open flame.
- (3) This specification applies to the functionality of the component as a single unit. Please insure the component is thoroughly evaluated in the application circuit.

## NOTE:

- (1) The parts are manufactured in accordance with this specification. If other conditions and specifications which are required for this specification, please contact ABRACON for more information.
- (2) ABRACON will supply the parts in accordance with this specification unless we receive a written request to modify prior to an order placement.
- (3) In no case shall ABRACON be liable for any product failure from in appropriate handling or operation of the item beyond the scope of this specification.
- (4) When changing your production process, please notify ABRACON immediately.
- (5) ABRACON Corporation's products are COTS – Commercial-Off-The-Shelf products; suitable for Commercial, Industrial and, where designated, Automotive Applications. ABRACON's products are not specifically designed for Military, Aviation, Aerospace, Life-dependant Medical applications or any application requiring high reliability where component failure could result in loss of life and/or property. For applications requiring high reliability and/or presenting an extreme operating environment, written consent and authorization from ABRACON Corporation is required. Please contact ABRACON Corporation for more information.
- (6) All specifications and Marking will be subject to change without notice.

**ATTENTION:** Abracon Corporation's products are COTS – Commercial-Off-The-Shelf products; suitable for Commercial, Industrial and, where designated, Automotive Applications. Abracon's products are not specifically designed for Military, Aviation, Aerospace, Life-dependant Medical applications or any application requiring high reliability where component failure could result in loss of life and/or property. For applications requiring high reliability and/or presenting an extreme operating environment, written consent and authorization from Abracon Corporation is required. Please contact Abracon Corporation for more information.

ABRACON IS  
ISO9001:2008  
CERTIFIED



Visit [www.abracon.com](http://www.abracon.com) for Terms & Conditions of Sale **Revised 11.17.14**  
30332 Esperanza, Rancho Santa Margarita, California 92688  
tel 949-546-8000 | fax 949-546-8001 | [www.abracon.com](http://www.abracon.com)