

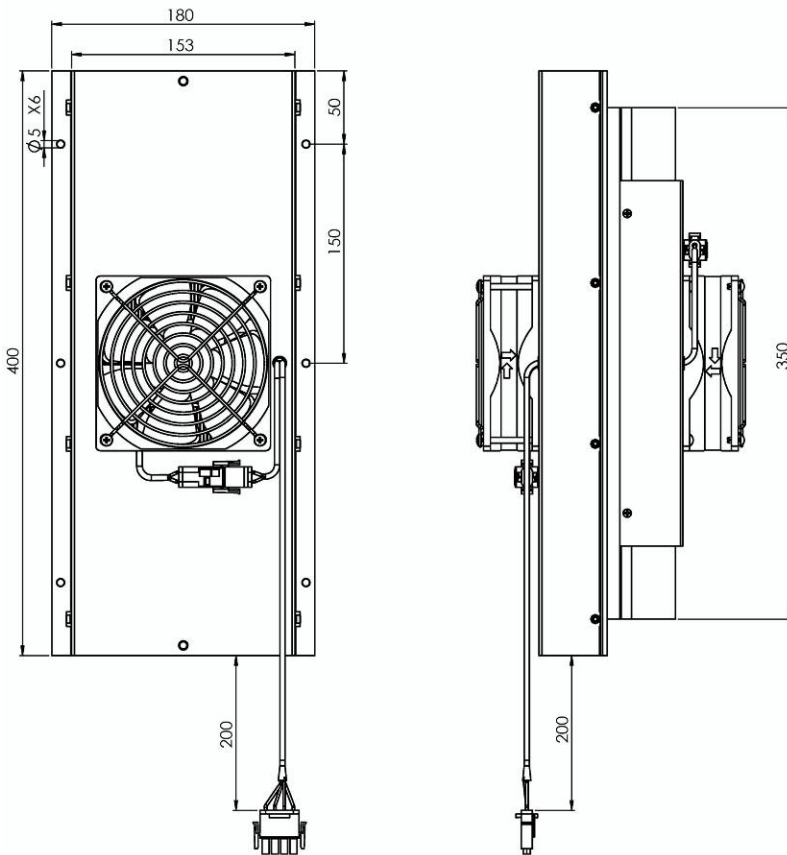


Climatherm 400 Series

Air to Air TE Exchanger Standard Product
RoHS EU Compliant



MECHANICAL CHARACTERISTICS



TYPICAL PERFORMANCE VALUES

Specifications	
Weight (kg)	5.5
Overtemp Thermostat	100°C ± 5°C (Both Sinks)
Operating Temp	-10°C to 60°C

Electrical Connections		
Color	PIN #	Description
White	1	TEC "+"
Blue	2	TEC "-"
Red	3	Fans "+"
Black	4	Fans "-"

Connectors	
Plug	Tyco P/N 480702-0
Socket	Tyco P/N 480703-0
PIN Plug	Tyco P/N 350547-1
PIN Socket	Tyco P/N 350550-1

	Voltage	Current	Cooling power @ 0 dT	COP	Performance Curve
	(nom/max)	(nom/max)	W		
CTA400-0001-XX	24/28	14/16	246	0.71	A
	48/56	7/8	246	0.71	A
CTA400-0004-XX	24/28	11/12	248	0.92	B
	48/56	5.6/6.5	248	0.92	B

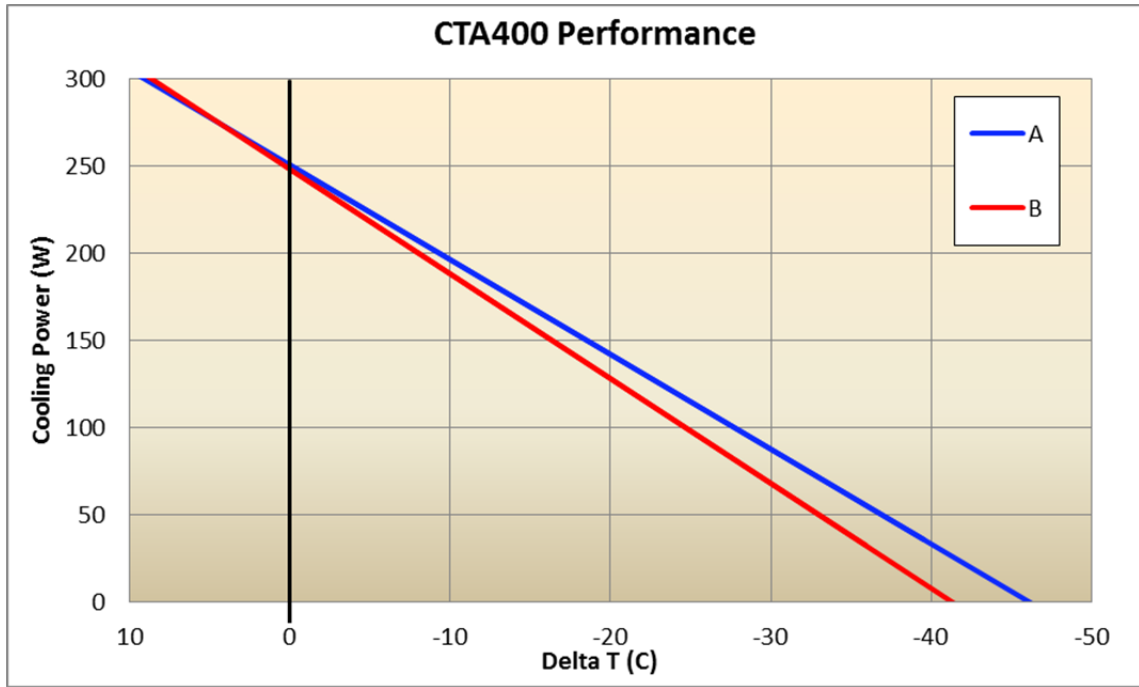
IP55 RATED FANS

ORDERING OPTIONS

Model Number	Description
CTA400-0001-01	24V, Hot Side Wiring
CTA400-0001-02	24V, Cold Side Wiring
CTA400-0001-03	48V, Hot Side Wiring
CTA400-0001-04	48V, Cold Side Wiring
CTA400-0004-01	24V, Hot Side Wiring
CTA400-0004-02	24V, Cold Side Wiring
CTA400-0004-03	48V, Hot Side Wiring
CTA400-0004-04	48V, Cold Side Wiring

AVAILABLE MODIFICATIONS

For information regarding additional ordering options available, please contact a Marlow engineering representative.



For performance information, consult one of our Applications Engineers.

Installation

Recommended mounting methods: Attach through provided mounting holes with M5 hardware. Mounting template included with product.

Operation Cautions

For maximum reliability, storage and operation below 60°C in a non-condensing environment is recommended.

WARNING: This product contains a chemical known to the state of California to cause cancer, birth defects, or other reproductive harm.

CONTACT US:

For customer support or general questions please contact a local office below or visit our website at www.marlow.com.

Marlow Industries, Inc.
 10451 Vista Park Road
 Dallas Texas 75238-1645
 214-340-4900 (tel)
 214-341-5212 (fax)
 877-627-5691 (tech support)
www.marlow.com

Marlow Industries Europe GmbH
 Brunnenweg 19-21
 64331 Weiterstadt
 Germany
 Tel.: +49 (0) 6150 5439 - 403
 Fax: +49 (0) 6150 5439 - 400
info@marlow-europe.eu

II-VI Japan Inc.
 WBG Marive East 17F
 2-6 Nakase, Mihama-ku
 Chiba-Shi, Chiba 261-7117
 Japan
 81 43 297 2693 (tel)
 81 43 297 3003 (fax)
center@ii-vi.co.jp
www.ii-vi.co.jp

II-VI Singapore Pte., Ltd.
 Blk. 5012, Techplace II
 #04-07 & 05-07/12, Ang Mo Kio Ave. 5
 Singapore 569876
 (65) 6481 8215 (tel)
 (65) 6481 8702 (fax)
info@ii-vi.com.sg
www.ii-vi.com.sg

Marlow Industries China, II-VI
 Technologies Beijing
 A subsidiary of II-VI Incorporated
 Rm 202, 1# Lize 2nd Middle Road
 Wangjing, Chaoyang District
 Beijing 100102 China
 010-64398226 ext 105 (tel)
 010-64399315 (fax)
info@iivibj.com