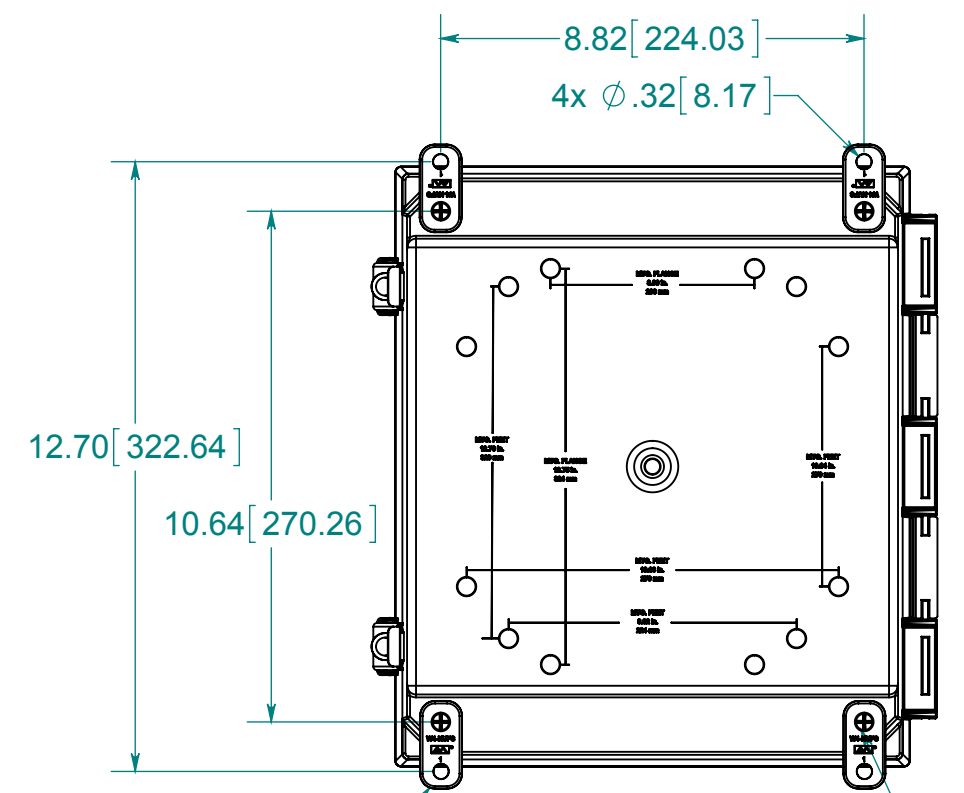
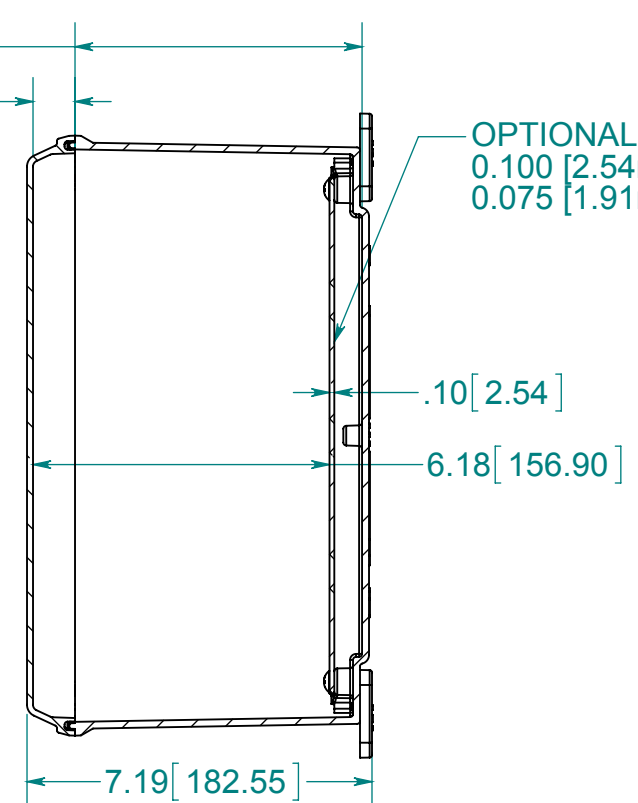
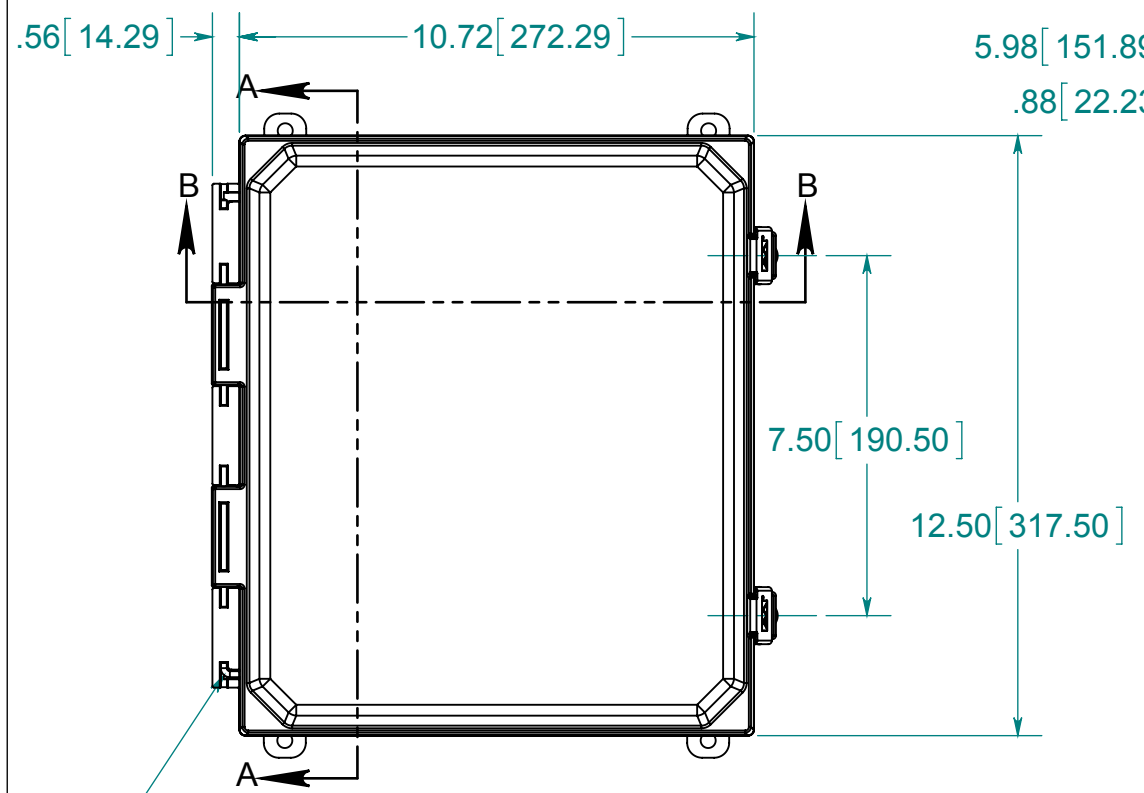


DATE	REV.	DESCRIPTION	DR	CK	REL



STAINLESS STEEL HINGE PIN

OPTIONAL BACK PANEL SHOWN  
 0.100 [2.54mm] TH'K- ALUMINUM  
 0.075 [1.91mm] TH'K- WHITE STEEL

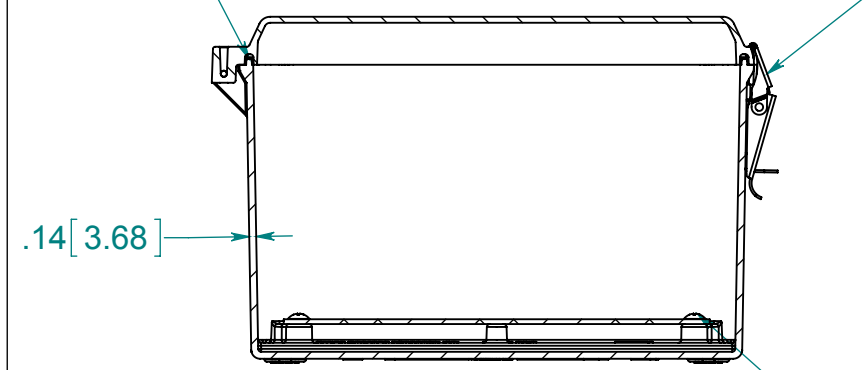
SECTION A-A

FRONT VIEW WITH COVER REMOVED AND BACK PANEL DISPLAYED

(4) POLYCARBONATE FEET

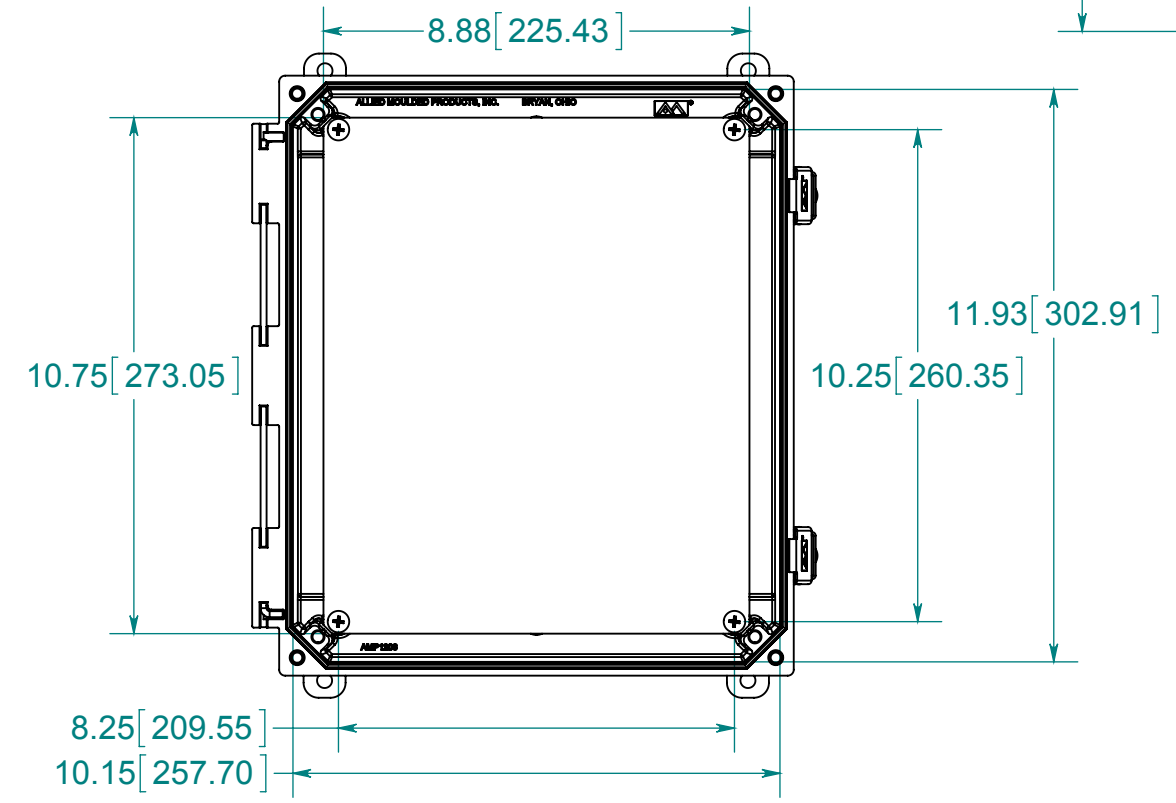
(4) EACH #10-32 BRASS INSERTS, AND STAINLESS STEEL FLANGE AND FEET SCREWS

(2) STAINLESS STEEL LOCKABLE SNAP LATCHES  
 CLOSED CELL NEOPRENE GASKET

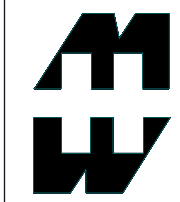


(4) EACH #10-32 BRASS INSERTS AND PLATED CARBON STEEL TRUSS SCREW

SECTION B-B



MATERIAL:  
 BOX- INJECTED POLYCARBONATE  
 STANDARD COVER- INJECTED POLYCARBONATE  
 CLEAR COVER - INJECTED POLYCARBONATE



PART No. PCJ12106CCL  
 for more information visit [www.hammfg.com](http://www.hammfg.com)  
 Data subject to change without notice  
 Drawing Not to Scale