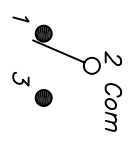


RECOMMENDED P.C.B. LAYOUT



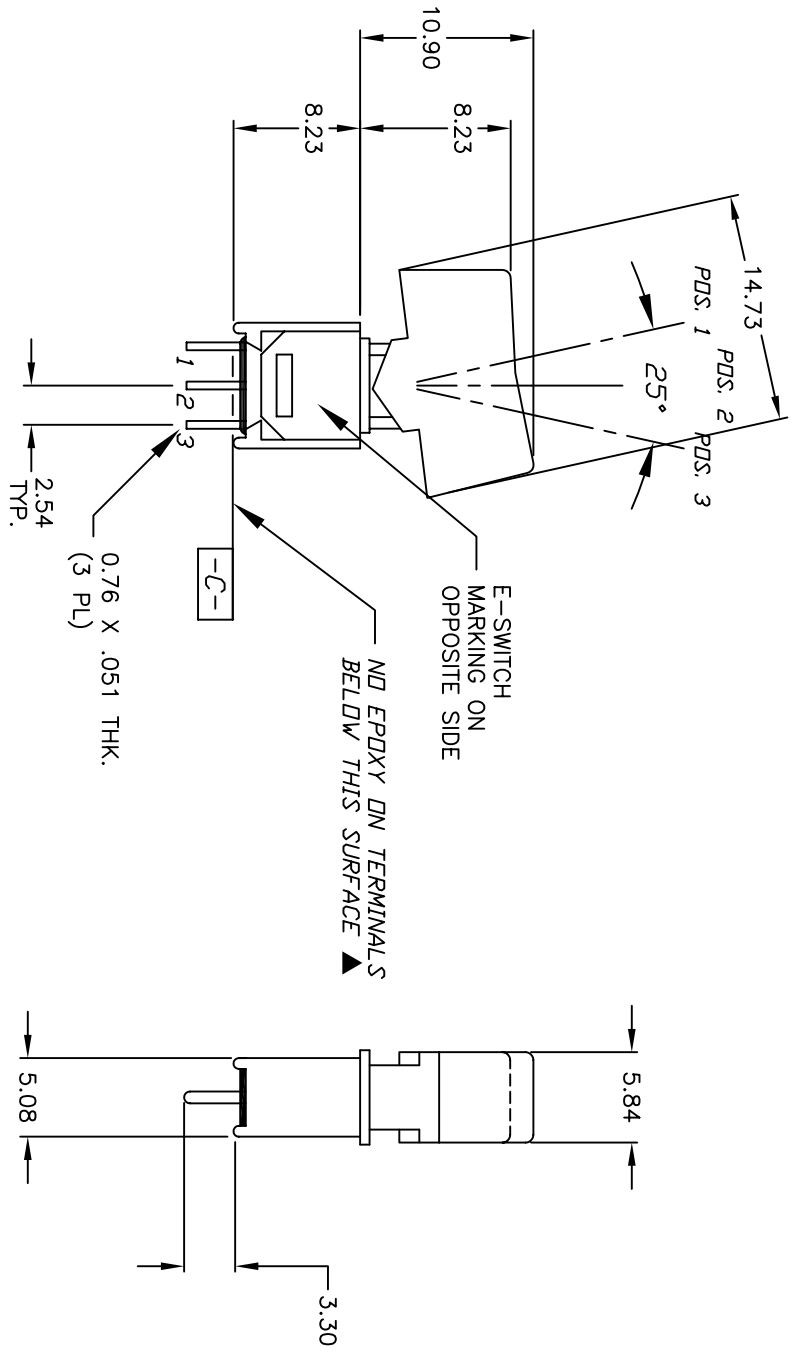
CIRCUIT: SPDT

| SWITCH FUNCTION | | |
|-----------------|--------|--------|
| PDS. 1 | PDS. 2 | PDS. 3 |
| | | |
| <DN> | DEF | <DN> |
| 2-3 | DPEN | 2-1 |

() =Momentary

NOTES:

1. ALL DIMENSIONS IN MM
2. GENERAL TOLERANCE: X.X=±0.4
X.XX=±0.25
3. TERM. NOS. FOR REF. ONLY
4. CONTACT RATING: 3A@ 120VAC. OR 28VDC:
1A@ 250VAC.
5. FIXED TERMINAL & MOVING CONTACT: Cu alloy w/ Silver plate
6. ELECTRIC LIFE: 30,000 make-and-break cycles
at full load.
7. INSULATION RESISTANCE: 1,000 M ohm min.
8. DIELECTRIC STRENGTH: 1,000 V RMS @sed level.
9. OPERATING TEMP.: -30°C to +85°C



| | | | | |
|------|---------|------------------------|---------|------|
| B | 16113 | CHANGE SWITCH FUNCTION | 6/6/06 | CT |
| A | 12447 | RELEASED | 9/25/02 | CB |
| REV. | ECN No. | DESCRIPTION | DATE | CHKD |

E-SWITCH®

400 MSP-4 R6 (BLK) M2 QE

TITLE

SCALE 2:1 DATE 11/11/02 DR CB DWG T414102 REV B

THE INFORMATION CONTAINED IN THIS DOCUMENT IS PROPRIETARY TO E-SWITCH AND IS NOT TO BE COPIED OR TRANSFERRED