



UF640V

Power MOSFET

18A, 200V, 0.18OHM, N-CHANNEL POWER MOSFET

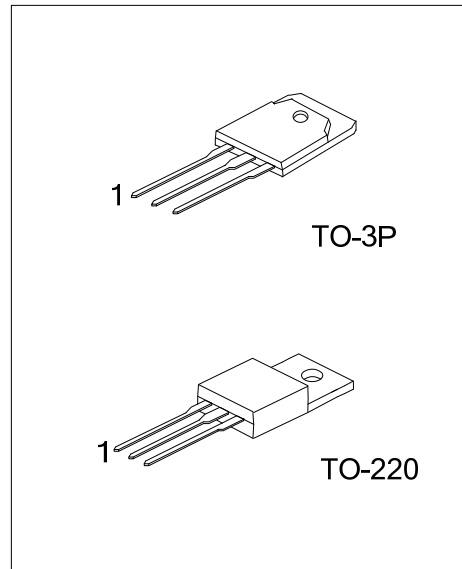
DESCRIPTION

These kinds of n-channel power MOSFET field effect transistor have low conduction power loss, high input impedance, and high switching speed, Linear Transfer Characteristics, so can be use in a variety of power conversion applications.

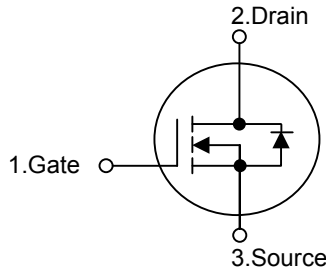
The **UF640V** suitable for resonant and PWM converter topologies.

FEATURES

- * $R_{DS(ON)} = 0.18\Omega @ V_{GS} = 10V$.
- * Ultra Low gate charge (typical 43nC)
- * Low reverse transfer capacitance ($C_{RSS} =$ typical 100 pF)
- * Fast switching capability
- * Avalanche energy specified
- * Improved dv/dt capability, high ruggedness



SYMBOL



ORDERING INFORMATION

Ordering Number		Package	Pin Assignment			Packing
Lead Free	Halogen-Free		1	2	3	
UF640VL-T3P-T	UF640VG-T3P-T	TO-3P	G	D	S	Tube
UF640VL-TA3-T	UF640VG-TA3-T	TO-220	G	D	S	Tube

<p>UF640VL-T3P-T</p> <p>(1)Packing Type (2)Package Type (3)Lead Free</p>	<p>(1) T: Tube (2) T3P: TO-3P, TA3: TO-220 (3) L: Lead Free, G: Halogen Free</p>
----------------------------------------------------------------------------------	------------------------------------------------------------------------------------------

ABSOLUTE MAXIMUM RATING ($T_C = 25^\circ\text{C}$, unless otherwise specified)

PARAMETER	SYMBOL	RATINGS	UNIT
Drain-Source Voltage	V_{DSS}	200	V
Drain-Gate Voltage ($R_{GS}=20\text{k}\Omega$)	V_{DGR}	200	V
Gate-Source Voltage	V_{GSS}	± 20	V
Continuous Drain Current	I_D	18	A
Pulsed Drain Current (Note 2)	I_{DM}	72	A
Single Pulse Avalanche Energy Rating (Note 2)	E_{AS}	580	mJ
Maximum Power Dissipation	TO-3P	150	W
	TO-220	123	W
Junction Temperature	T_J	+150	$^\circ\text{C}$
Storage Temperature	T_{STG}	-55 ~ +150	$^\circ\text{C}$

Note: 1. Absolute maximum ratings are those values beyond which the device could be permanently damaged.

Absolute maximum ratings are stress ratings only and functional device operation is not implied.

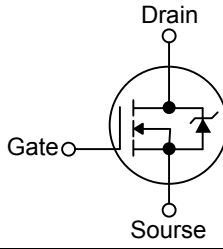
2. $L=3.37\text{mH}$, $V_{DD}=50\text{V}$, $R_G=25\Omega$, peak $I_{AS}=18\text{A}$, starting $T_J=25^\circ\text{C}$.

3. Pulse width limited by $T_{J(MAX)}$

■ THERMAL DATA

PARAMETER	SYMBOL	RATINGS	UNIT
Junction to Ambient	θ_{JA}	50	$^\circ\text{C/W}$
		62.5	
Junction to Case	θ_{JC}	0.833	$^\circ\text{C/W}$
		1.01	

■ ELECTRICAL CHARACTERISTICS (T_C = 25°C, unless otherwise specified)

PARAMETER	SYMBOL	TEST CONDITIONS	MIN	TYP	MAX	UNIT	
OFF CHARACTERISTICS							
Drain-Source Breakdown Voltage	BV _{DSS}	I _D =250μA, V _{GS} =0V	200			V	
Drain-Source Leakage Current	I _{DSS}	V _{DS} = Rated BV _{DSS} , V _{GS} = 0V			25	μA	
Gate-Source Leakage Current	I _{GSS}	V _{GS} = ±20V			±100	nA	
ON CHARACTERISTICS							
Gate Threshold Voltage	V _{GS(TH)}	V _{GS} =V _{DS} , I _D =250μA	1.0		2.5	V	
Drain-Source On Resistance	R _{DS(ON)}	I _D =10A, V _{GS} =10V		0.14	0.18	Ω	
DYNAMIC PARAMETERS							
Input Capacitance	C _{ISS}	V _{DS} =25V, V _{GS} =0V, f=1MHz		1275		pF	
Output Capacitance	C _{OSS}			400		pF	
Reverse Transfer Capacitance	C _{RSS}			100		pF	
SWITCHING PARAMETERS							
Turn-ON Delay Time	t _{D(ON)}	V _{DD} =100V, I _D ≈18A, R _G =9.1Ω, R _L =5.4Ω, MOSFET Switching Times are Essentially Independent of Operating Temperature		13	21	ns	
Turn-ON Rise Time	t _R			50	77	ns	
Turn-OFF Delay Time	t _{D(OFF)}			46	68	ns	
Turn-OFF Fall-Time	t _F			35	54	ns	
Total Gate Charge	Q _{G(TOT)}	V _{GS} =10V, I _D ≈18A, V _{DS} =0.8 x Rated BV _{DSS} Gate Charge is Essentially Independent of Operating Temperature I _{G(REF)} = 1.5mA		43	64	nC	
Gate Source Charge	Q _{GS}			8		nC	
Gate Drain Charge	Q _{GD}			22		nC	
SOURCE TO DRAIN DIODE SPECIFICATIONS							
Diode Forward Voltage (Note)	V _{SD}	T _J =25°C, I _S =18A, V _{GS} =0V,			2.0	V	
Continuous Source Current (body diode)	I _S	Integral Reverse p-n Junction Diode in the MOSFET			18	A	
Pulse Source Current (body diode) (Note)	I _{SM}					72	A
Reverse Recovery Time	t _{rr}		T _J =25°C, I _S =18A, dI _S /dt=100A/μs	120	240	530	ns
Reverse Recovery Charge	Q _{RR}	T _J =25°C, I _S =18A, dI _S /dt=100A/μs	1.3	2.8	5.6	μC	

Note: Pulse Test: Pulse width ≤ 300μs, duty cycle ≤ 2%.

■ TEST CIRCUIT

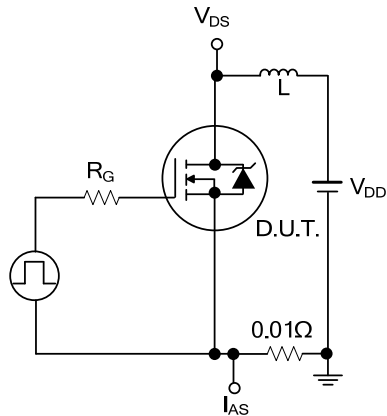


Fig. 1 Unclamped Energy Test Circuit

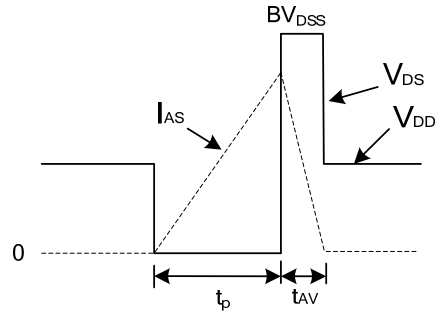


Fig.2 Unclamped Energy Waveforms

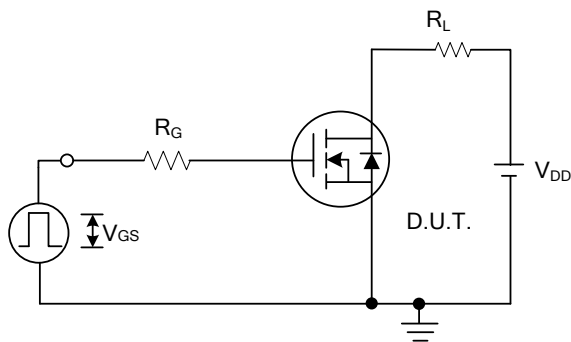


Fig.3 Switching Time Test Circuit

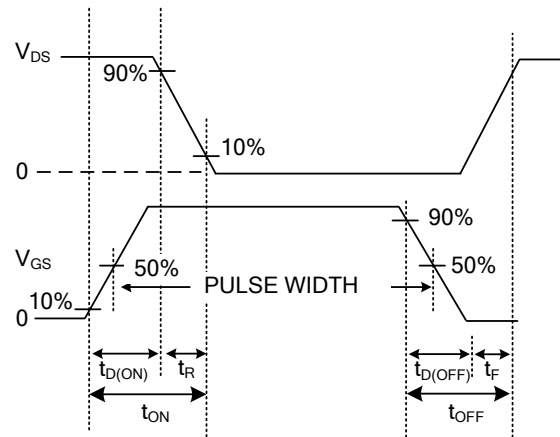


Fig.4 Resistive Switching Waveforms

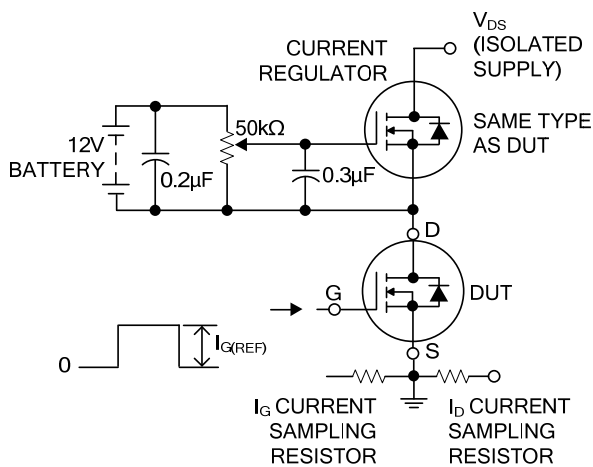


Fig.5 Gate Charge Test Circuit

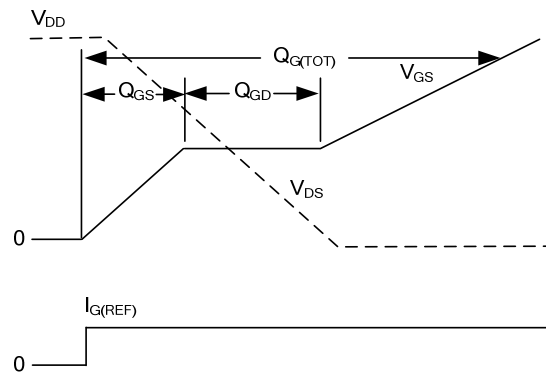
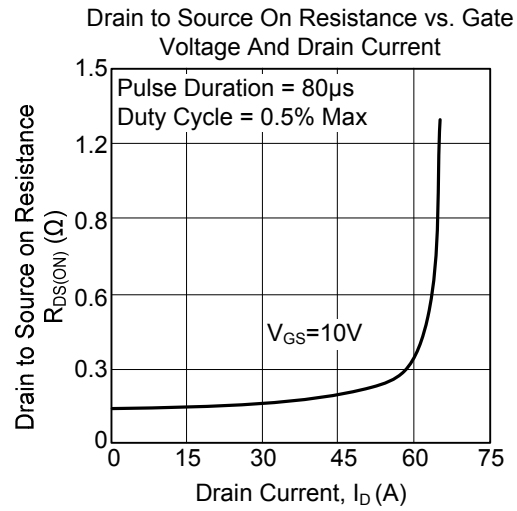
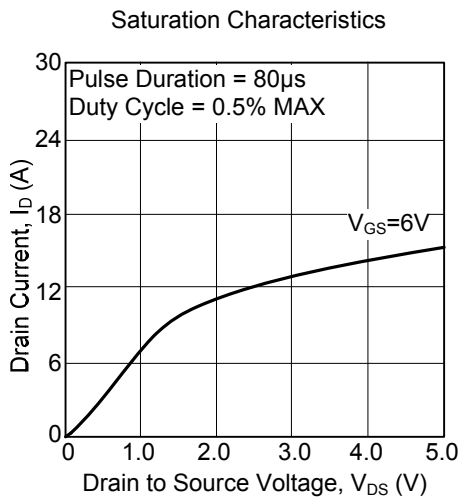


Fig.6 Gate Charge Waveforms

■ TYPICAL CHARACTERISTICS



UTC assumes no responsibility for equipment failures that result from using products at values that exceed, even momentarily, rated values (such as maximum ratings, operating condition ranges, or other parameters) listed in products specifications of any and all UTC products described or contained herein. UTC products are not designed for use in life support appliances, devices or systems where malfunction of these products can be reasonably expected to result in personal injury. Reproduction in whole or in part is prohibited without the prior written consent of the copyright owner. The information presented in this document does not form part of any quotation or contract, is believed to be accurate and reliable and may be changed without notice.