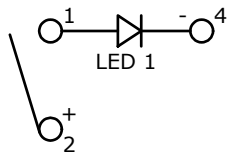
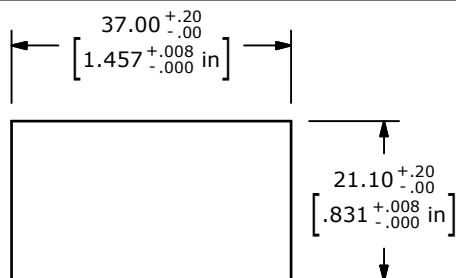


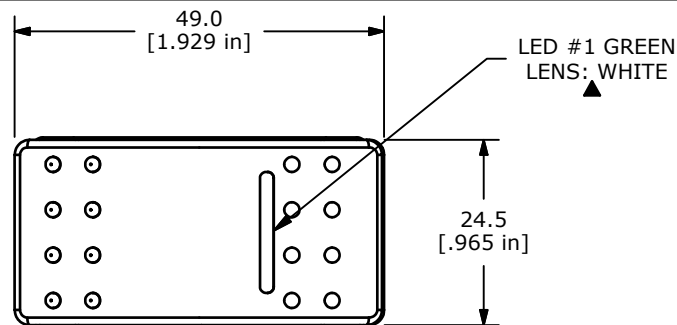
▲ SWITCH FUNCTION		
POS. 1	POS. 2	POS. 3
ON	N/A	OFF
1-2	N/A	NONE



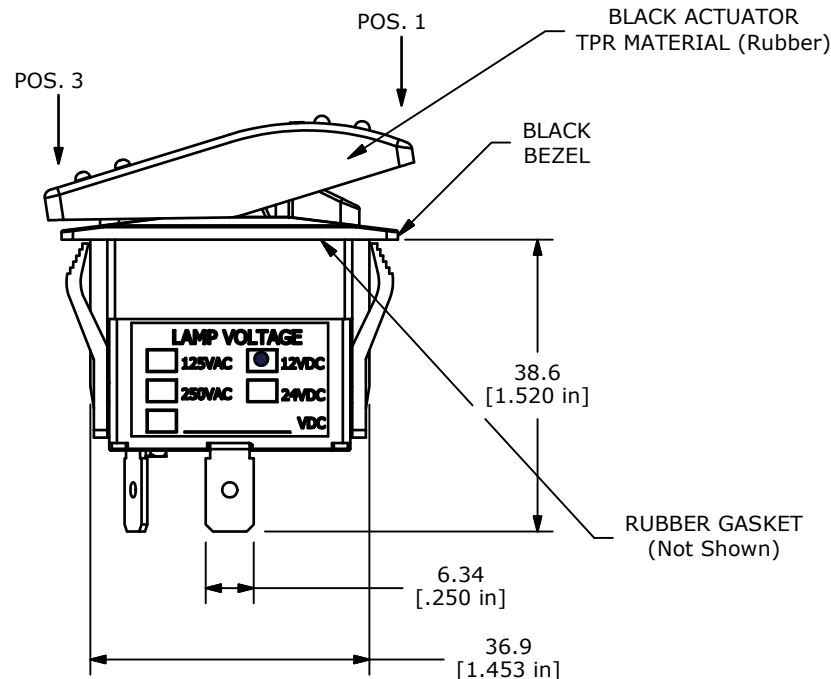
CIRCUIT: SPST
ON - OFF



RECOMMENDED
PANEL CUT-OUT



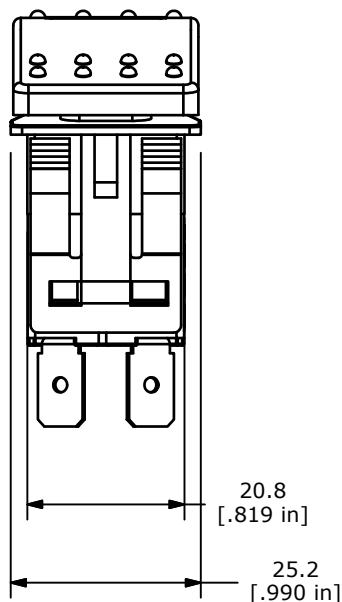
LED #1 GREEN
LENS: WHITE



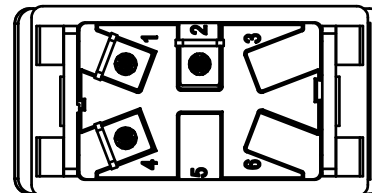
BLACK ACTUATOR
TPR MATERIAL (Rubber)

BLACK
BEZEL

RUBBER GASKET
(Not Shown)



- NOTES:
1. ALL DIMENSIONS IN MM [INCH]
 2. GENERAL TOLERANCE: X.X=±0.4
X.XX=±0.25
 3. TERM. NOS. FOR REF. ONLY
 4. RATING: 16A @ 30VDC, 50/60 Hz, μT55
UL LISTED
 5. ELECTRICAL LIFE: 10,000 CYCLES
 6. MECHANICAL LIFE: 30,000 CYCLES
 7. CONTACT RESISTANCE: <20 MILLI-OHMS INITIAL
 8. DIELECTRIC STRENGTH: >1,500V AC 1MIN
 9. INSULATION RESISTANCE: >100 MOHMS @ 500VDC
 10. OPERATING TEMP: 0°C to 55°C
 - ▲11. LED: GREEN, 12VDC
 12. ▲DENOTES CRITICAL PARAMETER.
 13. 2002/95/EC (ROHS) COMPLIANT



B	21355	Drawing Cleanup	1/15/14	rc
A	21252	New Release	8/14/13	rc
REV	PCR NO	DESCRIPTION	DATE	BY

TITLE R711FB2-SXXX2BDGNW				
SCALE 1:1	DATE 8/14/2013	DR rc	DWG C700011	REV B

THE INFORMATION CONTAINED IN THIS DOCUMENT IS PROPRIETARY TO E-SWITCH AND IS NOT TO BE COPIED OR TRANSFERRED