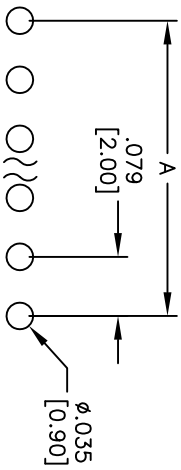
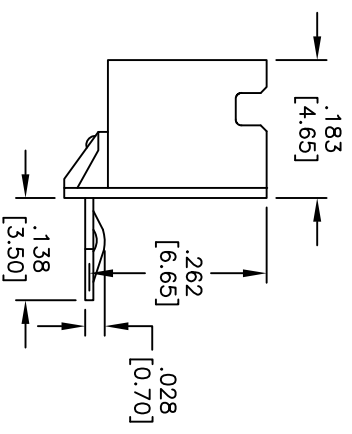
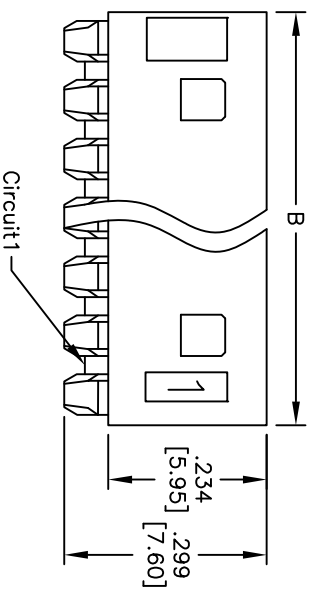
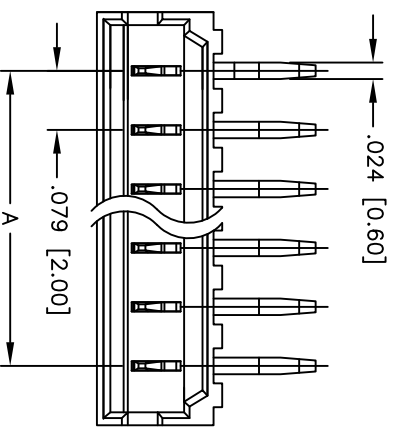


Rev	AWO #	Description	Date	Appr
-		RELEASED	11/23/10	

APPROVED: _____
 DATE: _____ TITLE: _____



RECOMMENDED PCB LAYOUT



Positions: 02 thru 15
 A = .079 [2.00] x No. of Spaces
 B = .079 [2.00] x No. of Spaces + .157 [4.00]

SPECIFICATIONS:

Material: Nylon 66, rated UL 94V-0
 Insulator color: Beige, 4685C follow Pantone color.
 Contacts: Phosphor Bronze
 Plating: Tin over Copper underplate overall
 Electrical: Operating voltage: 125 V AC,DC.
 Current rating: 2A AC,DC
 Contact resistance: 20 mohms max. initial
 Insulation resistance: 1000 Mohms min.
 Dielectric withstanding voltage: 800 VAC for 1 minute
 Temperature Rating: Operating temperature: -25°C to +85°C
 Environmental: Lead free, RoHS compliant
 Recommended soldering temp: 235°C for 5 seconds



ADAM TECH
 909 Rahway Avenue, Union, NJ 07083
 Phone: 908-687-5000 Fax: 908-687-5710
 TITLE: .079 [2.00] WAFER, PCB TYPE, RIGHT ANGLE
 TIN PLATED

UNLESS OTHERWISE SPECIFIED ALL DIMENSIONS ARE INCHES [MM]	
TOLERANCES: EXCEPT AS NOTED	
INCHES	HOLES
.X ± .10	ØXX ± .10
.XX ± .020	ØXXX ± .015
.XXX ± .015	ØXXXX ± .010
APPROVALS	DATE
DRAWN AY	11/23/10
CHECKED AH	11/23/10
APPROVED	

SIZE X	PART NO. 2SH-F-XX-TR	REV. -
REF: S00099T	SCALE: NTS	SHEET 1 OF 1