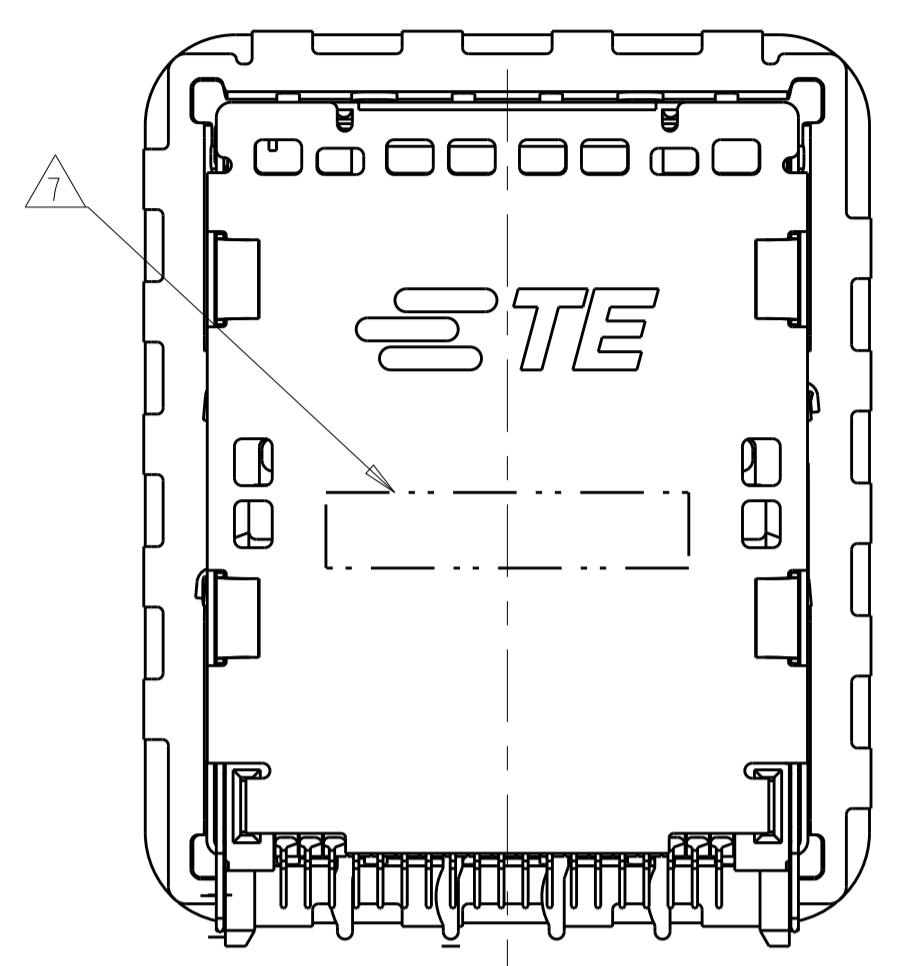
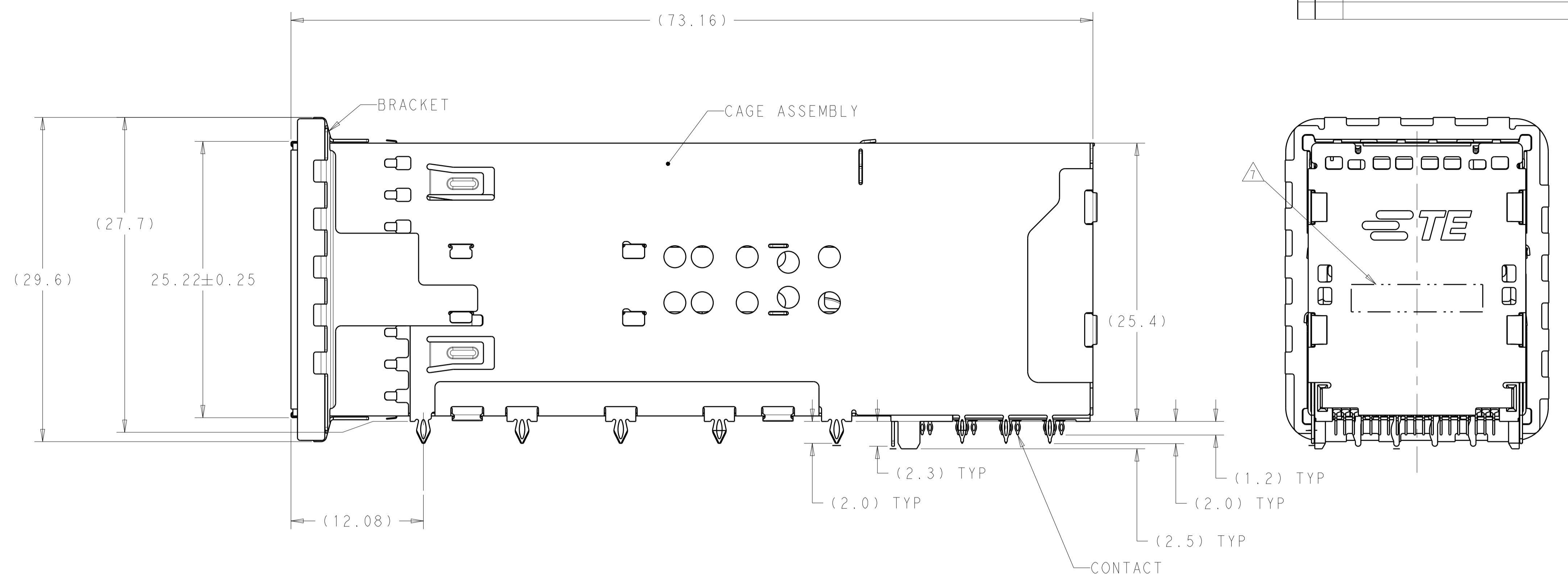
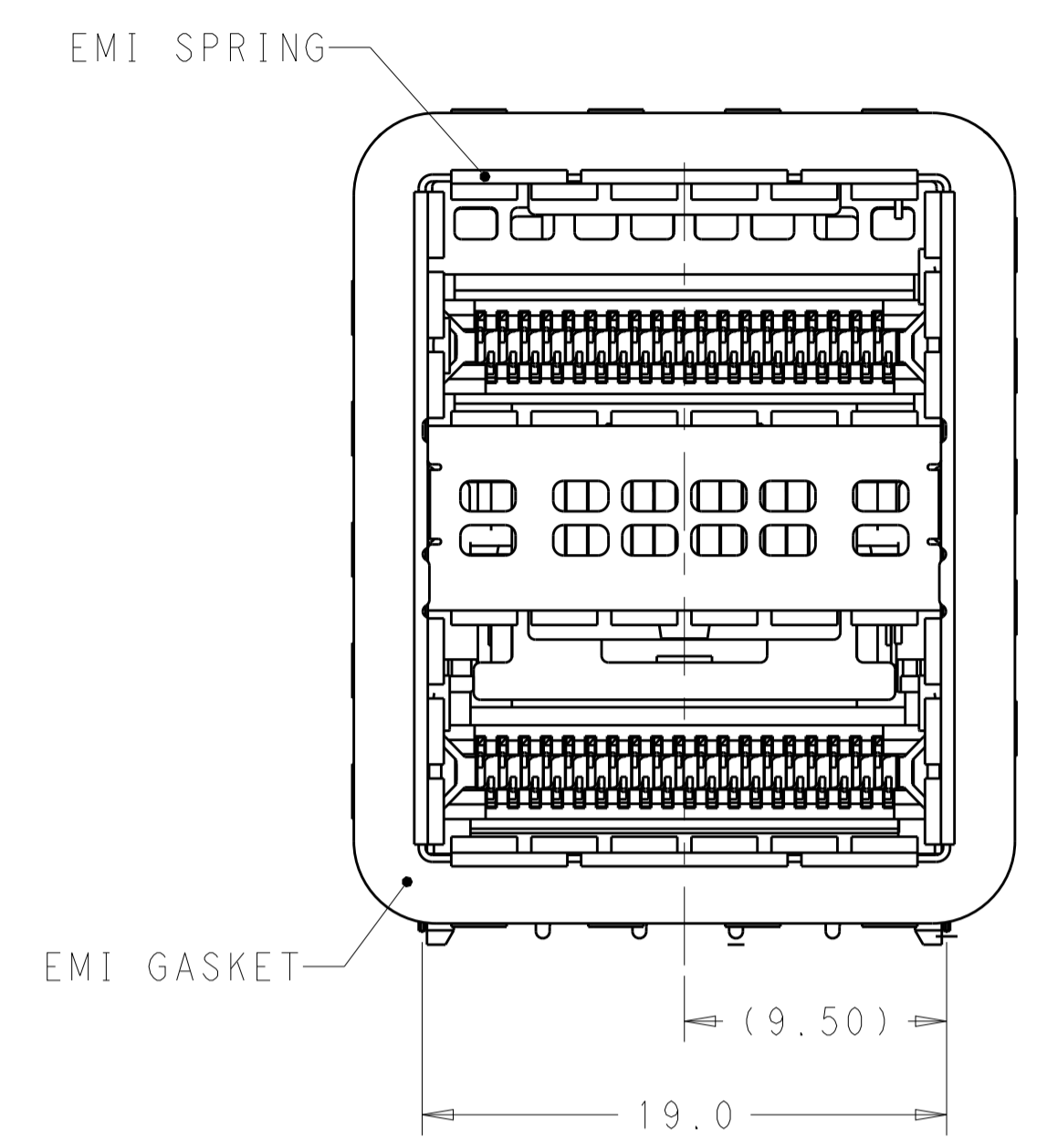
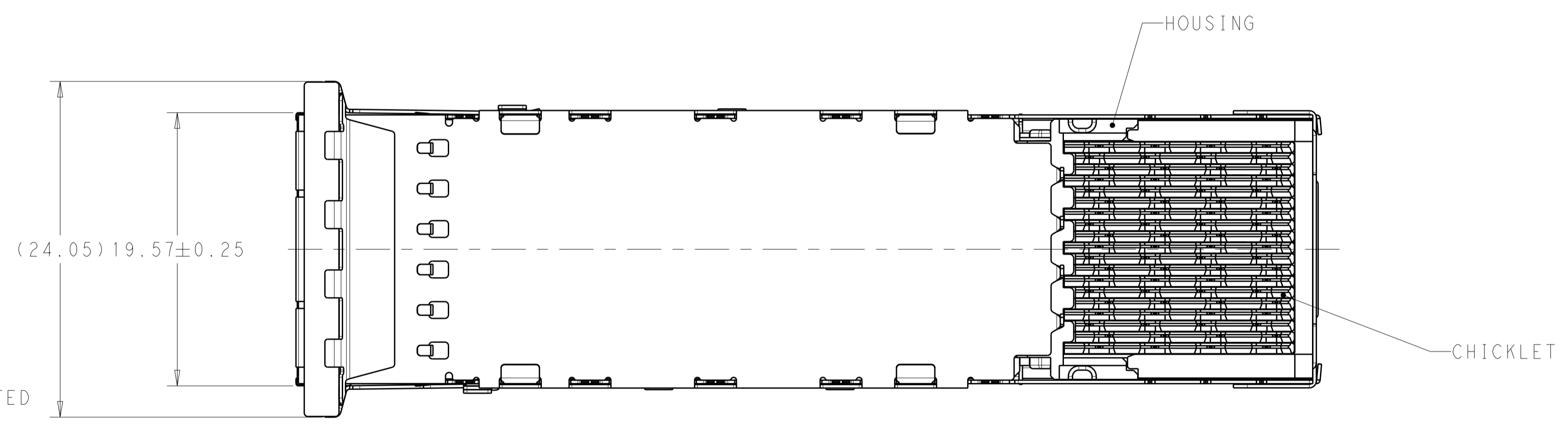


LOC	DIST	REVISIONS					
GP	00	P	LTN	DESCRIPTION	DATE	DWN	APVD
		A		RELEASED FOR PRODUCTION	02MAR2016	TX	SH



1. MATERIALS:
 CAGE ASSEMBLY- NICKEL SILVER ALLOY PER ASTM B 122.
 BRACKET- STAINLESS STEEL.
 EMI SPRING- COPPER ALLOY, NICKEL PLATED.
 EMI GASKET- PLATED FILLED SILICONE.
 HOUSING- POLYESTER LCP WITH 94V-0.
 CHICKLET- POLYESTER LCP WITH 94V-0.
 CONTACT- COPPER ALLOY.
 LIGHTPIPE- POLYCARBONATE WITH 94V-0.

- 2 CONTACT FINISH: 0.76µm GOLD ON MATING END, 1.25µm TIN ON SOLDER TAIL, ALL OVER 1.27µm NICKEL.
 3 DATUM AND BASIC DIMENSION ESTABLISHED BY CUSTOMER.
 4 MINIMUM PCB THICKNESS OF 1.57.
 5 THE ENTIRE AREA OF THE CONNECTOR FOOTPRINT, INDICATED BY THE DASHED LINE, TO BE CONSIDERED THE KEEPOUT AREA FOR COMPONENTS.
 6 CROSS-HATCHED AREAS REPRESENT ZONES ON THE PCB THAT COME IN CONTACT WITH OR BE IN CLOSE PROXIMITY TO THE PLASTIC HOUSING OR THE CONNECTOR CAGE. INDICATED AREAS TO BE CONSIDERED TRACE FREE.
 7 PART NUMBER AND DATE CODE MARKED IN APPROXIMATE AREA SHOWN.
 8 THESE HOLES ARE OPTIONAL WHEN PINS ON BACK OF GAGE ARE REMOVED.
 9 HATCHED AREA IS PLACEMENT ZONE FOR LED. LED SHOULD BE CENTERED WITHIN ZONE. RECOMMEND 0805 PACKAGE.
 10 CONTACT FINISH: 0.08µm MINIMUM GOLD OVER 0.68µm PALLADIUM-NICKEL ON MATING END, 1.25µm MATT TIN ON SOLDER TAIL, ALL OVER 1.27µm NICKEL.



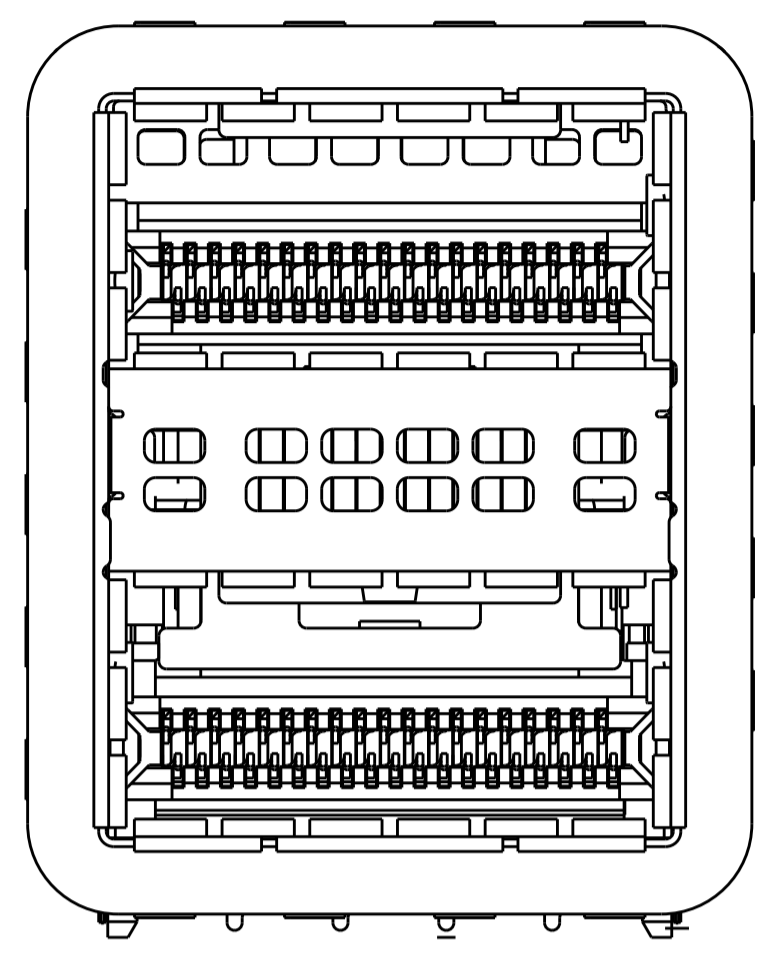
CONTACT FINISH	DESCRIPTION	PART NUMBER
10	LEFT INDICATOR DOWN	2227224-6
10	LEFT INDICATOR UP	2227224-5
10	NO LIGHTPIPE	2227224-4
2	LEFT INDICATOR DOWN	2227224-3
2	LEFT INDICATOR UP	2227224-2
2	NO LIGHTPIPE	2227224-1

THIS DRAWING IS A CONTROLLED DOCUMENT. DIMENSIONING AND TOLERANCING PER ASME Y14.5M-2009

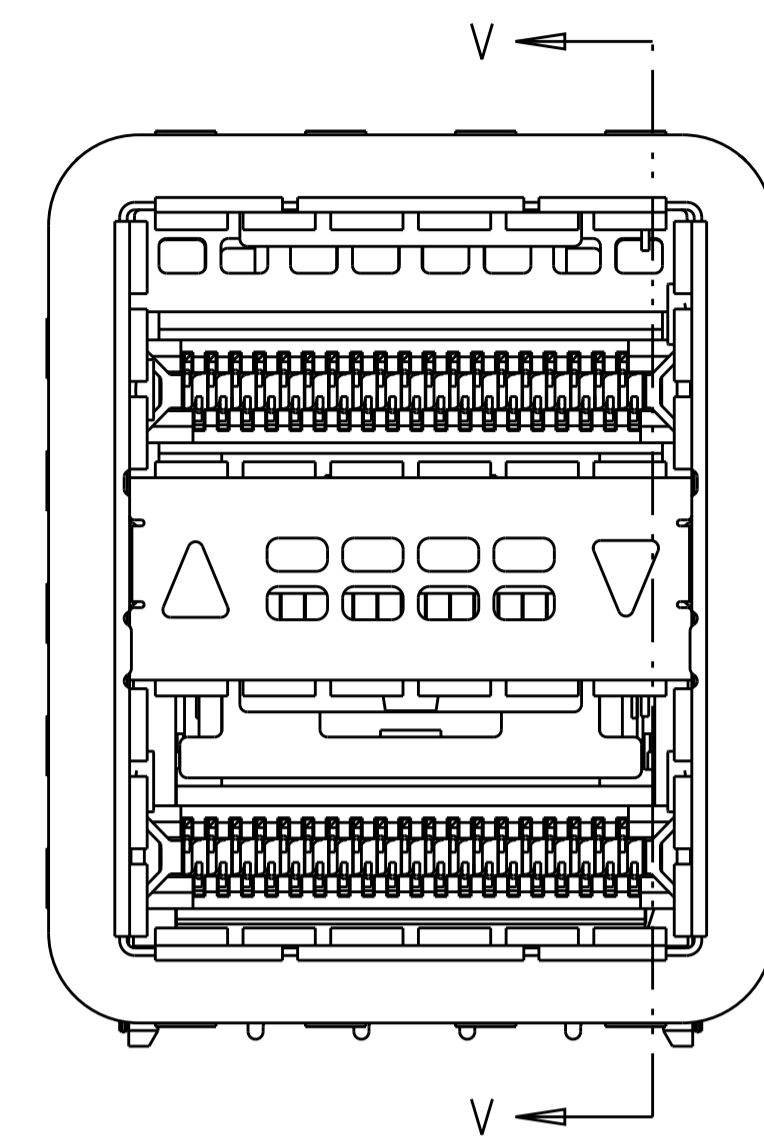
DIMENSIONS: mm	TOLERANCES UNLESS OTHERWISE SPECIFIED:	DWN M. SHIRK 14AUG2012	CHK D. SZCZESNY 14AUG2011
0 PLC ±	1 PLC ±0.25	APVD	
2 PLC ±0.15	3 PLC ±	PRODUCT SPEC	108-60102
4 PLC ±	ANGLES ±	APPLICATION SPEC	114-60015
MATERIAL	FINISH	WEIGHT	
SEE NOTE 1			

NAME: CAGE AND CONNECTOR ASSEMBLY, WITH EMI GASKET, 2X1, ZQSFP+ STACKED
 SIZE: A100779
 CUSTOMER DRAWING
 SCALE: 4:1 SHEET 1 OF 4 REV A

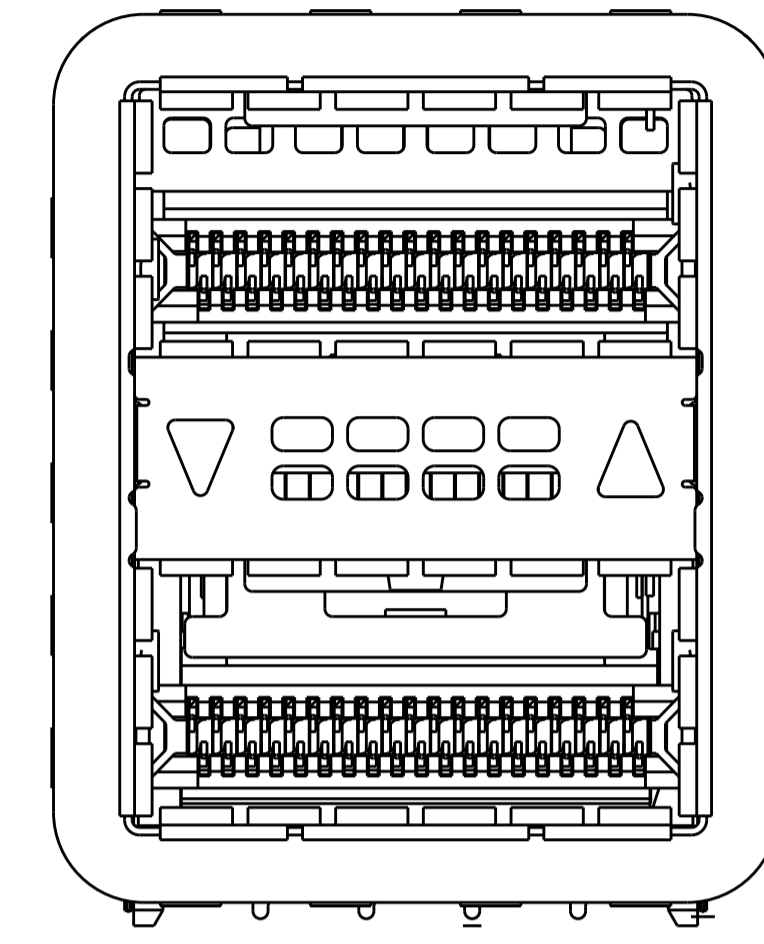
LOC	DIST	REVISIONS			
P	LTR	DESCRIPTION	DATE	DWN	APVD
-	-	SEE SHEET 1	-	-	-



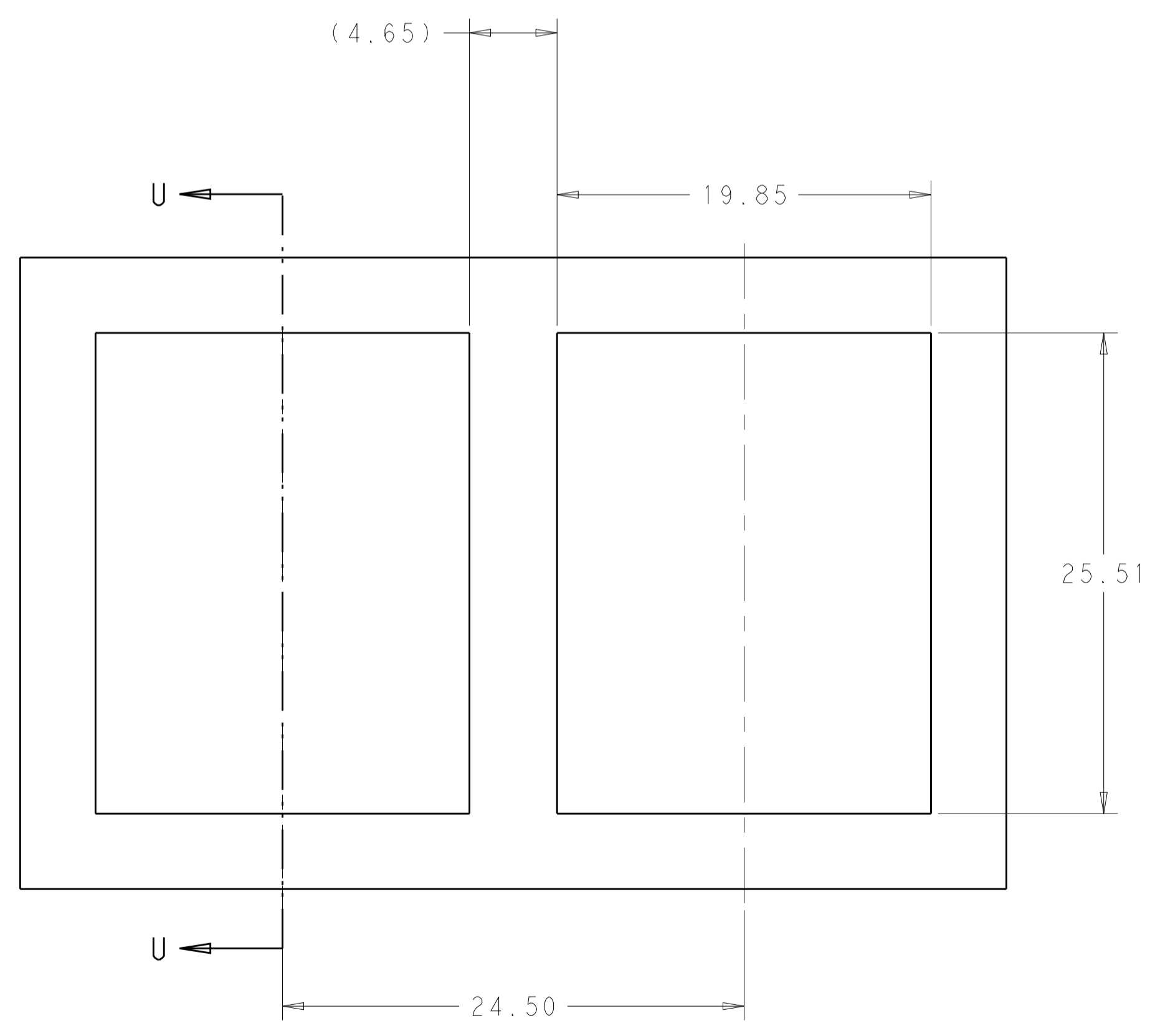
2227224-1 / 2227224-4
NO LIGHTPIPE IN ASSEMBLY



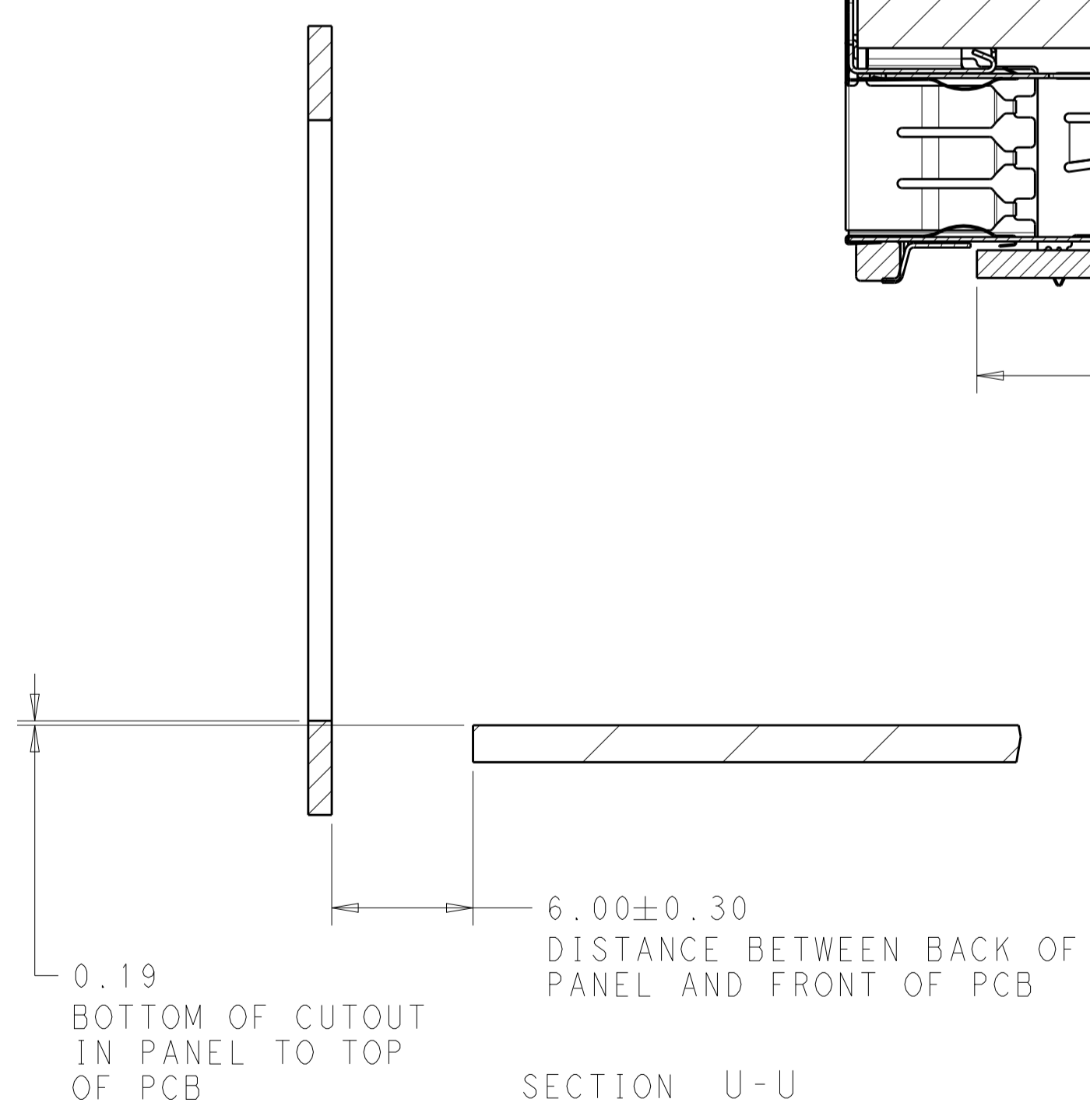
2227224-2 / 2227224-5
LEFT LIGHTPIPE INDICATOR
POINTING TO UPPER PORT



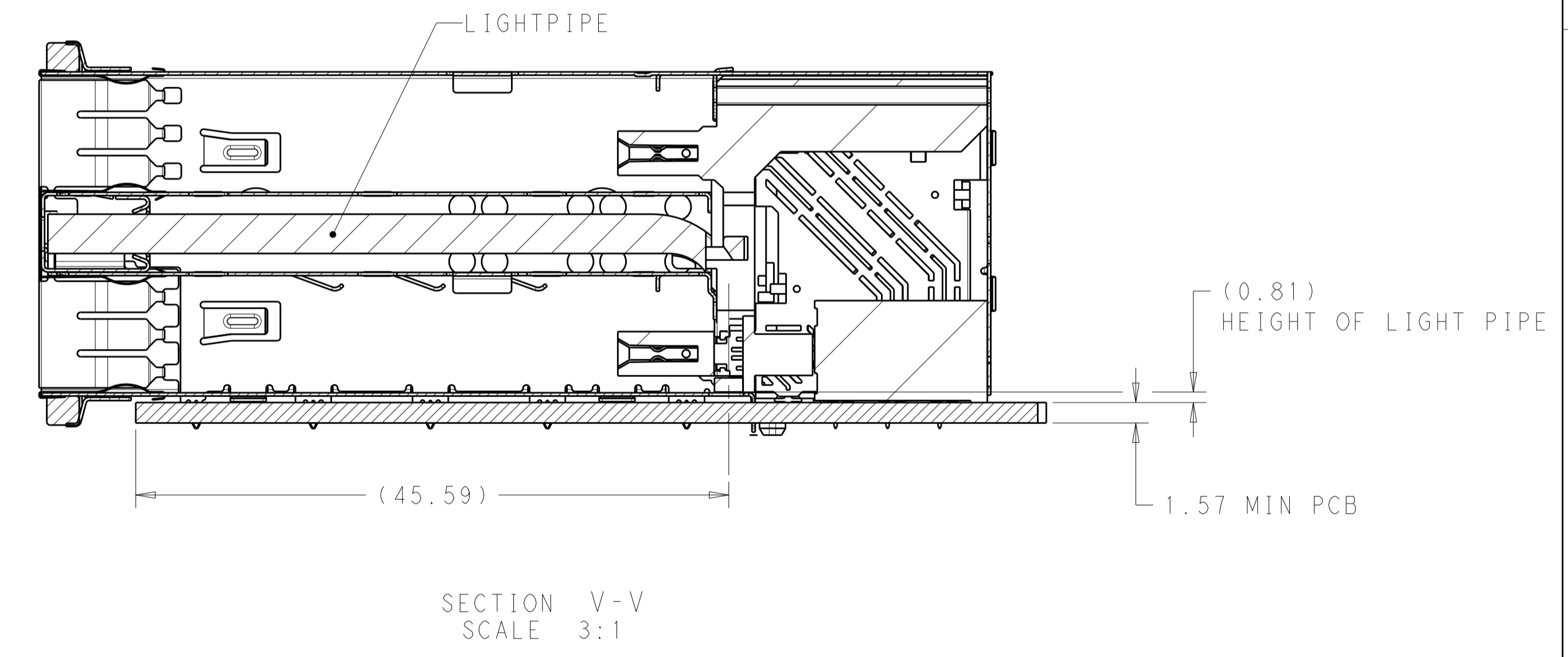
2227224-3 / 2227224-6
LEFT LIGHTPIPE INDICATOR
POINTING TO LOWER PORT



RECOMMENDED PANEL CUTOUT
AND PC BOARD, PANEL POSITION



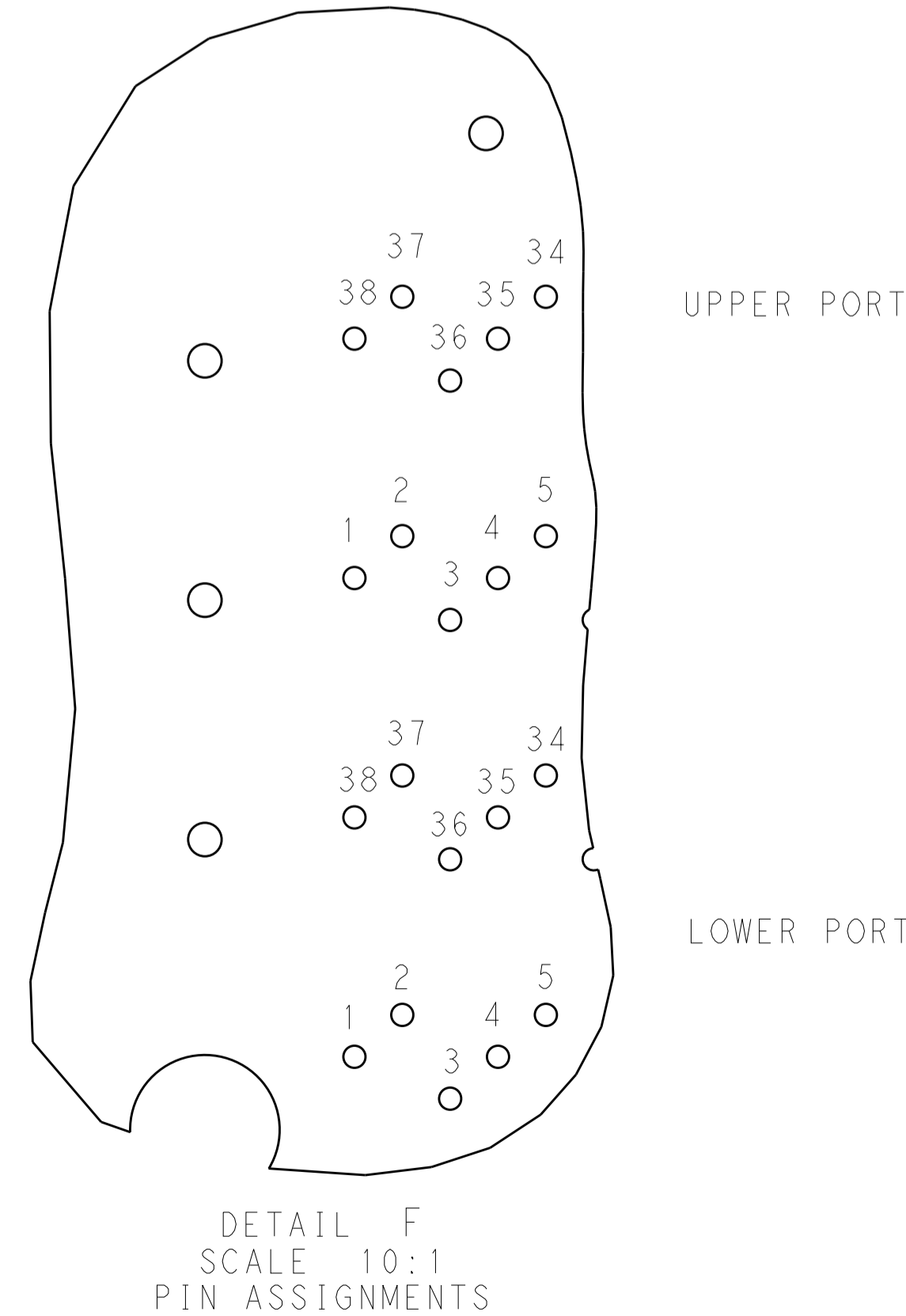
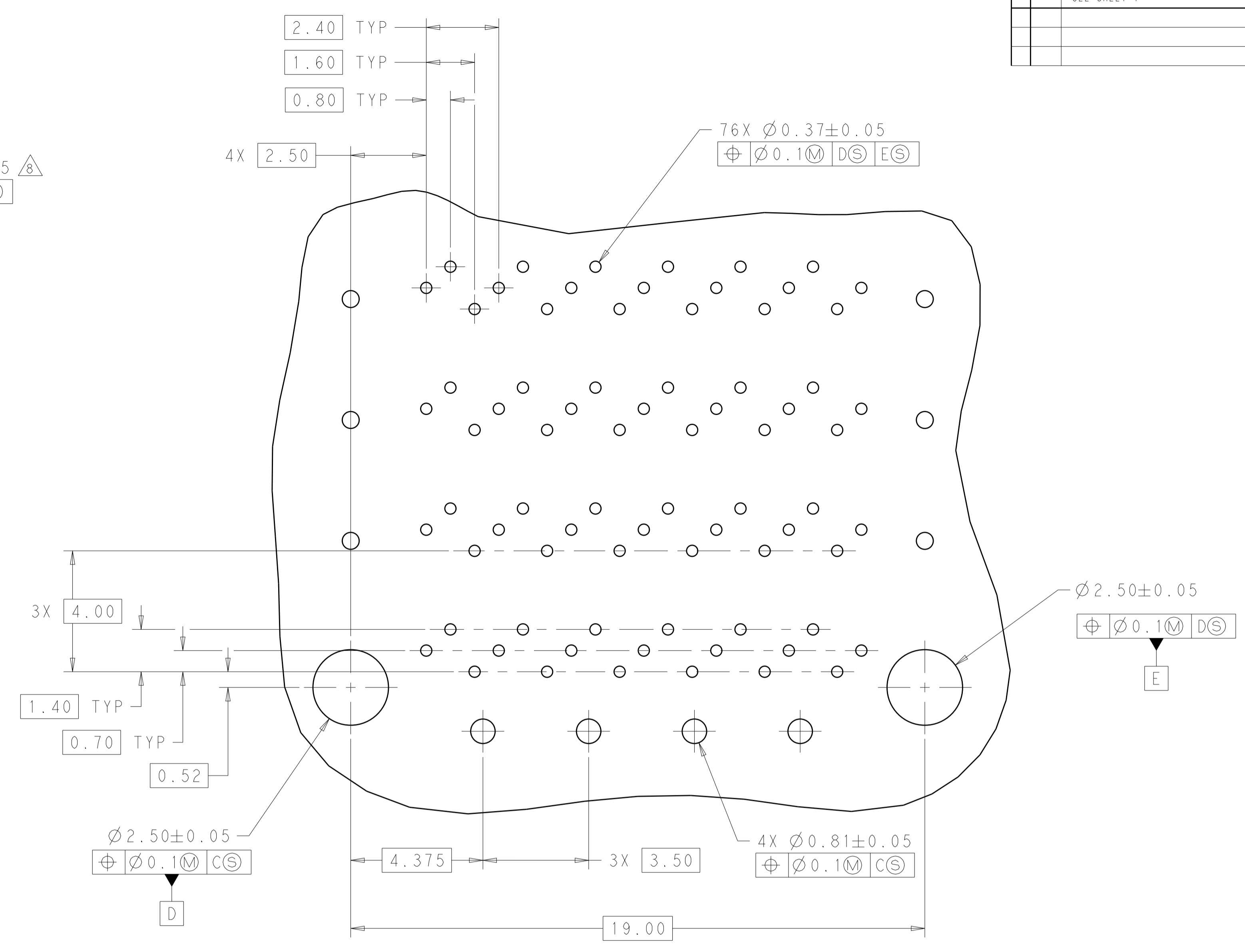
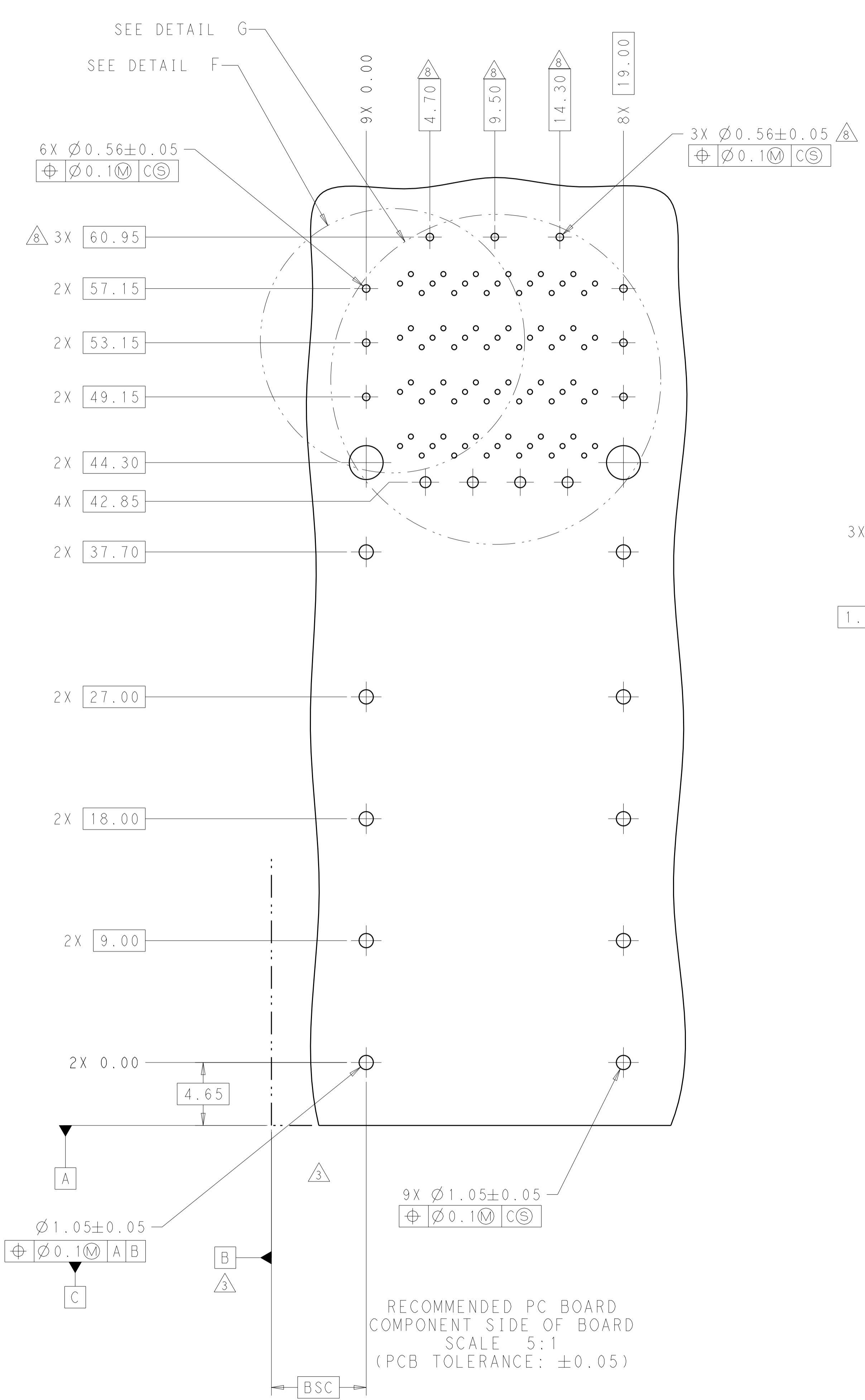
SECTION U-U



SECTION V-V
SCALE 3:1

THIS DRAWING IS A CONTROLLED DOCUMENT. DIMENSIONING AND TOLERANCING PER ASME Y14.5M-2009. TOLERANCES UNLESS OTHERWISE SPECIFIED:		DWN: M. SHIRK 14AUG2012 CHK: D. SZCZESNY 14AUG2011 APVD: -	TE Connectivity	
DIMENSIONS:	mm	0 PLC ±0.25 1 PLC ±0.15 2 PLC ±0.15 3 PLC ±0.15 4 PLC ±0.15 ANGLES ±0.15	PRODUCT SPEC: 108-60102 APPLICATION SPEC: 114-60015	NAME: CAGE AND CONNECTOR ASSEMBLY, WITH EMI GASKET, 2X1, ZQSFP+ STACKED
MATERIAL: SEE NOTE 1	FINISH: -	WEIGHT: -	SIZE: 114-60015 CAGE CODE: A100779 DRAWING NO: C=2227224	RESTRICTED TO: -
CUSTOMER DRAWING			SCALE: 4:1	SHEET 2 OF 4 REV A

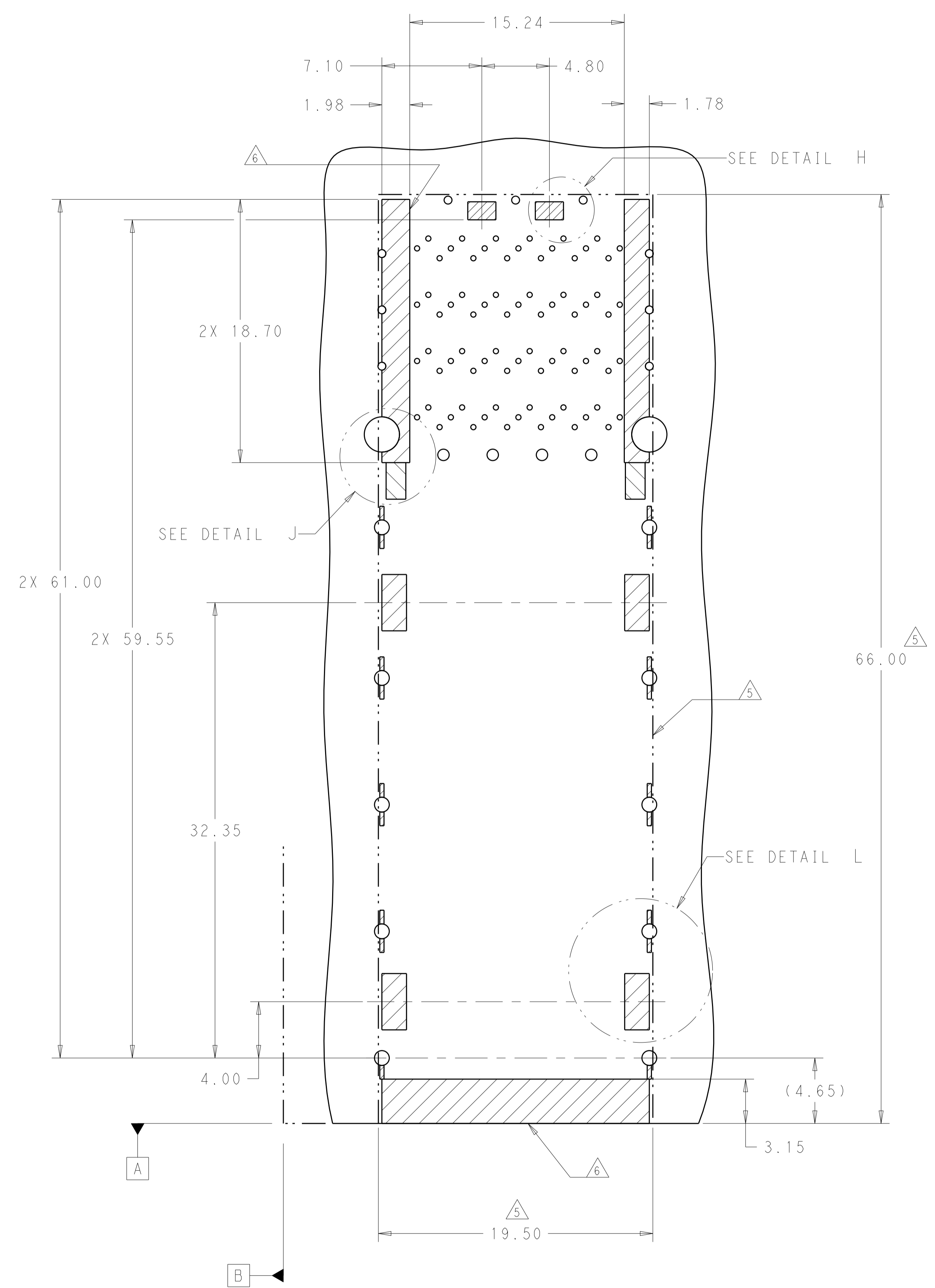
LOC		DIST		REVISIONS			
P	LTN	DESCRIPTION	DATE	DMN	APVD		
-	-	SEE SHEET 1	-	-	-		



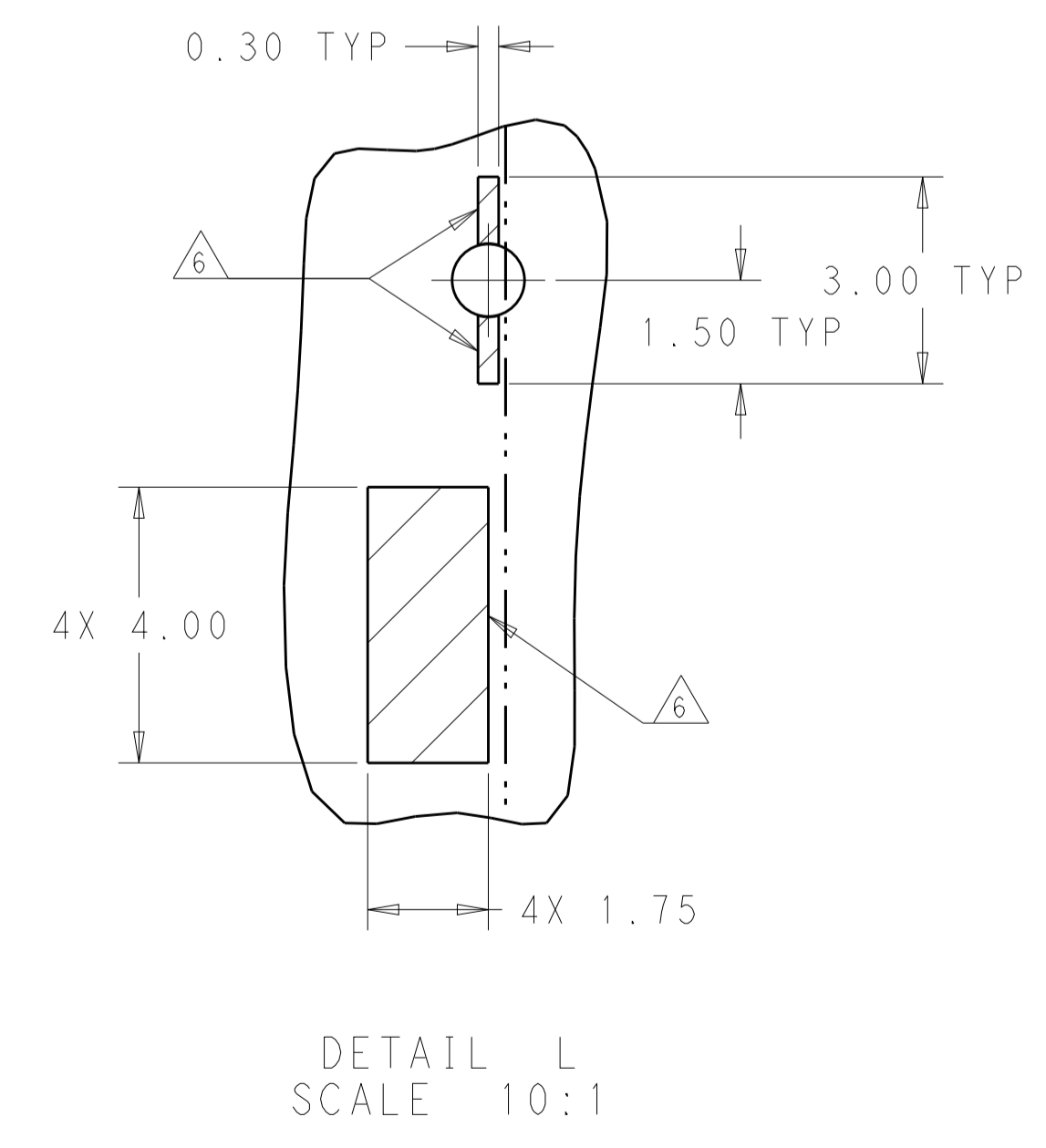
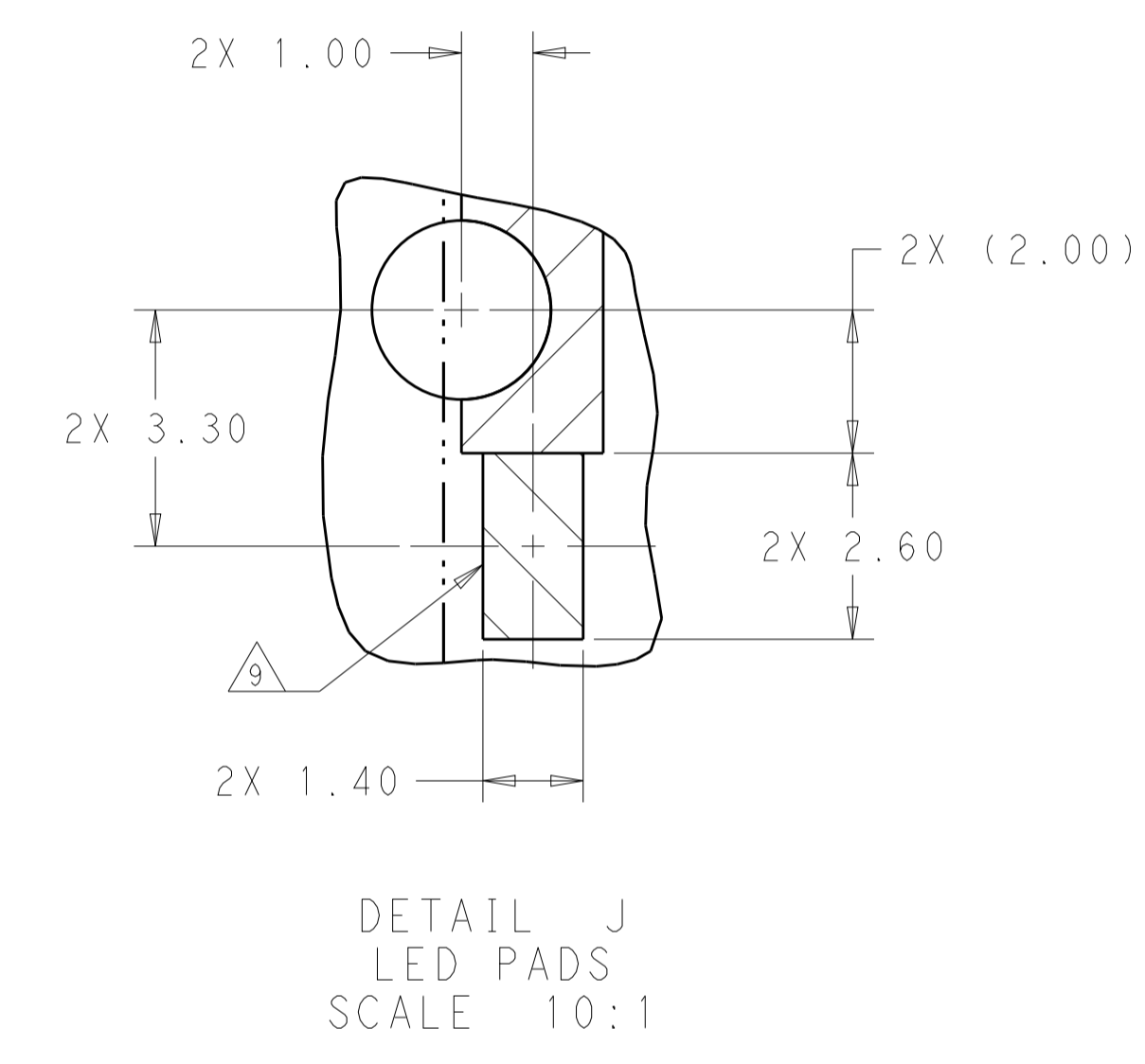
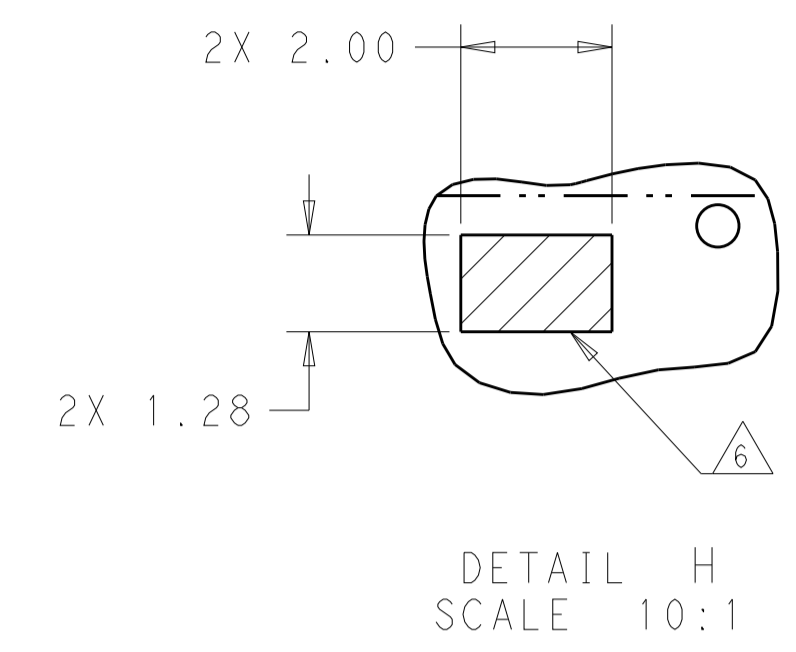
DETAIL G
 SCALE 10:1

THIS DRAWING IS A CONTROLLED DOCUMENT. DIMENSIONING AND TOLERANCING PER ASME Y14.5M-2009		DMN: M. SHIRK 14AUG2012	TE Connectivity
		CHK: D. SZCZESNY 14AUG2011	
DIMENSIONS:	TOLERANCES UNLESS OTHERWISE SPECIFIED:	APVD:	NAME:
mm	0 PLC \pm	PRODUCT SPEC:	CAGE AND CONNECTOR ASSEMBLY, WITH EMI GASKET, 2X1, ZQSFP+ STACKED
	1 PLC ± 0.25	APPLICATION SPEC:	108-60102
	2 PLC ± 0.15	SIZE:	114-60015
	3 PLC \pm	WEIGHT:	
	4 PLC \pm	FINISH:	
MATERIAL:	ANGLES \pm	CUSTOMER DRAWING:	A100779C=2227224
SEE NOTE 1		SCALE:	4:1

LOC	DIST	REVISIONS			
P.	LTH	DESCRIPTION	DATE	DWN	APVD
-	-	SEE SHEET 1	-	-	-



KEEPOUT AREAS
 COMPONENT SIDE OF BOARD
 SCALE 5:1



THIS DRAWING IS A CONTROLLED DOCUMENT. DIMENSIONING AND TOLERANCING PER ASME Y14.5M-2009.		DWN: M. SHIRK 14AUG2012 CHK: D. SZCZESNY 14AUG2011	TE Connectivity	
DIMENSIONS: mm	TOLERANCES UNLESS OTHERWISE SPECIFIED:	APVD: -	NAME: CAGE AND CONNECTOR ASSEMBLY, WITH EMI GASKET, 2X1, ZQSFP+ STACKED	RESTRICTED TO: -
0 PLC ±0.25 1 PLC ±0.15 2 PLC ±0.15 3 PLC ±0.15 4 PLC ±0.15	ANGLES ±0.15	PRODUCT SPEC: 108-60102 APPLICATION SPEC: 114-60015	SIZE: A1 CAGE CODE: 00779 DRAWING NO: C=2227224	SCALE: 4:1
MATERIAL: - FINISH: - SEE NOTE 1	WEIGHT: -	CUSTOMER DRAWING	SHEET 4 OF 4	REV A