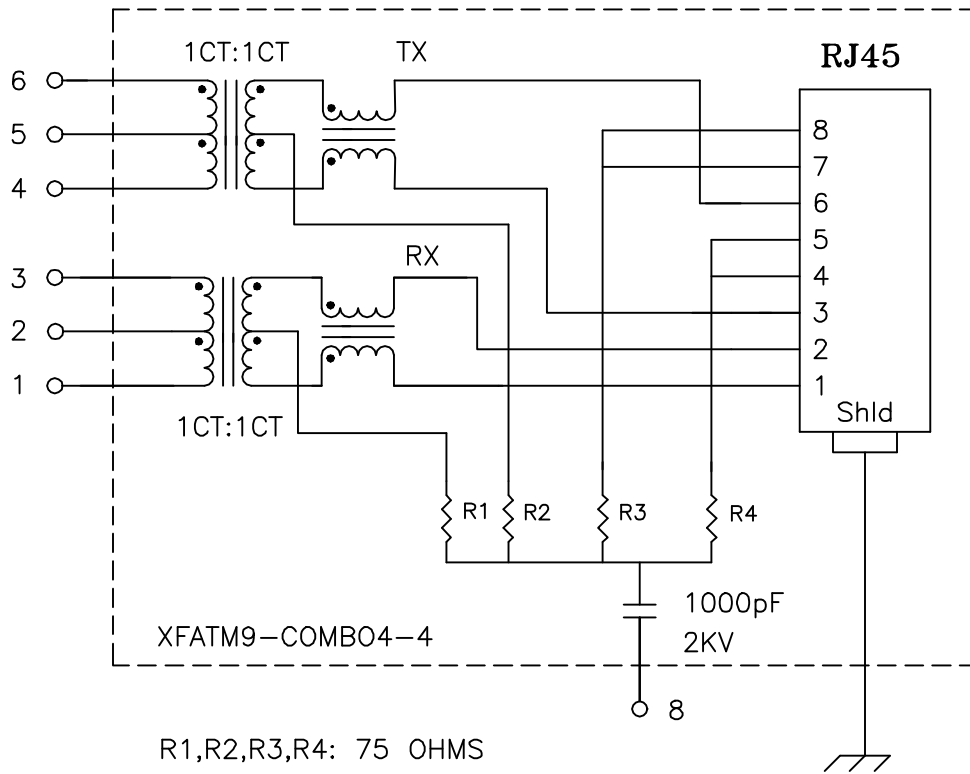


Schematic:

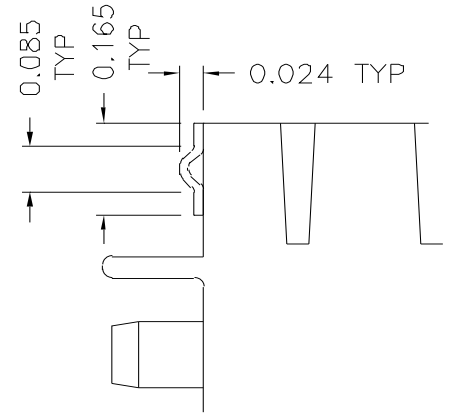
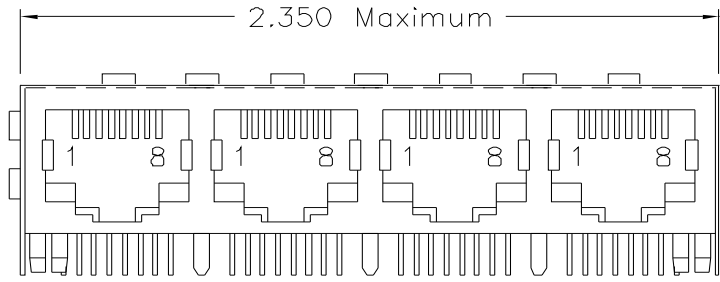


Electrical Specifications: @25°C

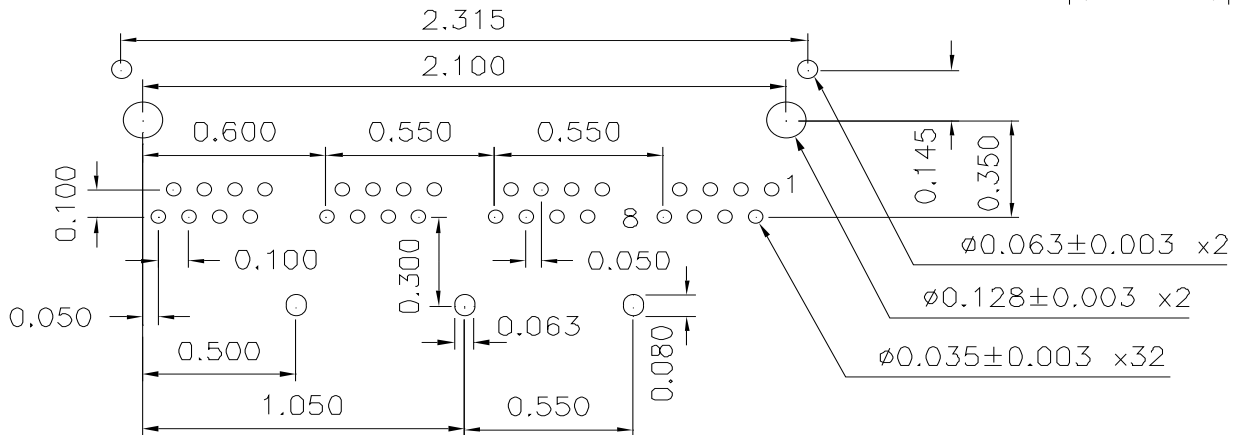
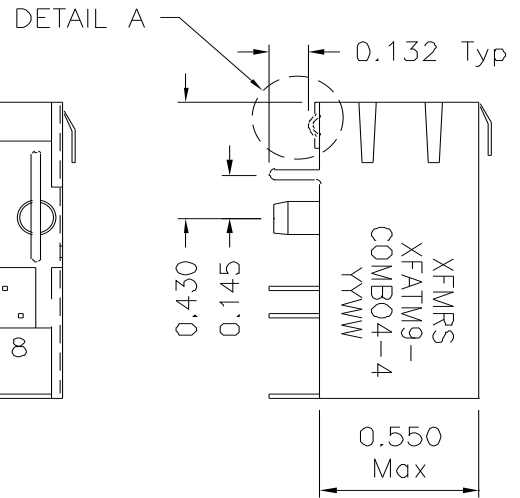
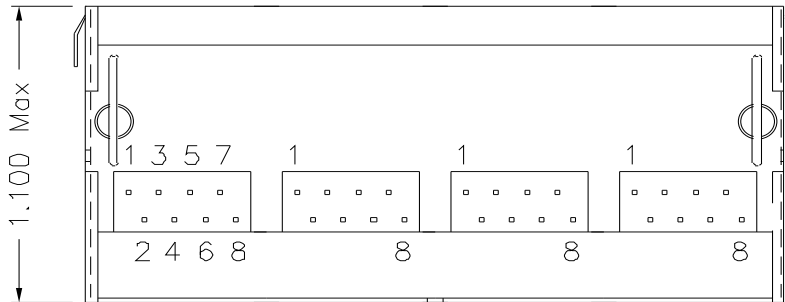
- Isolation Voltage: 1500 Vrms (Input to Output)
- Isolation Voltage: 500 Vrms (P1+2+3 to P4+5+6)
- Turns Ratio: TX 1CT:1CT $\pm 3\%$ RX 1CT:1CT $\pm 3\%$
- CABLE SIDE OCL: 350uH Minimum @100KHz 100mV 8mADC
- Cw/w: 27pF Typical @100KHz 100mV
- Insertion Loss (300KHz-100MHz): -1.0dB Minimum
- Return Loss: @30MHz -20dB Minimum
- @80MHz -15dB Minimum

XFMRs Inc.	Title: QUAD PORT COMBO			
	UNLESS OTHERWISE SPECIFIED		P/N: XFATM9-COMBO4-4	REV. A
TOLERANCES: .xxx ± 0.010	DWN.	李清儿	Mar-25-99	
Dimensions in Inch	CHK.	孙小悦	Mar-25-99	
SHEET 1 OF 2	APP.	Joe Huff	Mar-25-99	

Mechanical Dimensions: (FOR COMBO4-4)



DETAIL A



SUGGESTED MOUNTING PATTERN

DOC. REV: A/1

XFMRs Inc. UNLESS OTHERWISE SPECIFIED TOLERANCES: .xxx ±0.010 Dimensions in Inch SHEET 2 OF 2	Title: Mechanical Dimensions For COMBO4-4 Series		
	P/N: XFATM9-COMBO4-4		REV. A
	DWN.	李清儿	Mar-25-99
	CHK.	孙小怡	Mar-25-99
	APP.	Joe Huff	Mar-25-99