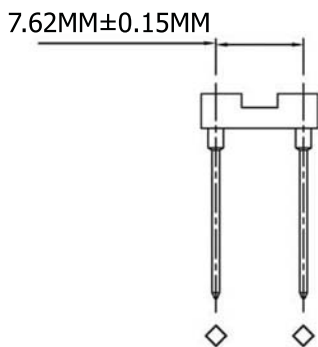
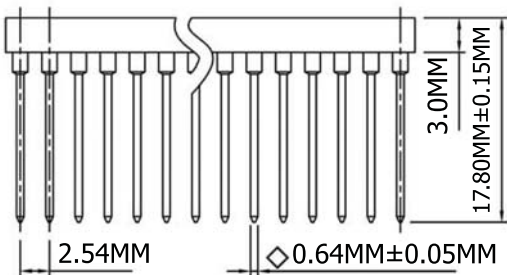
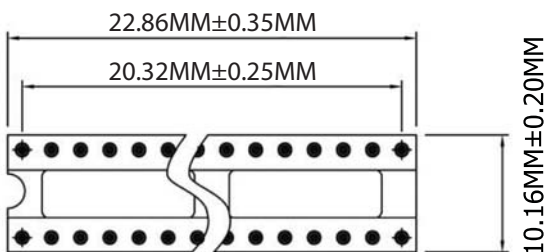
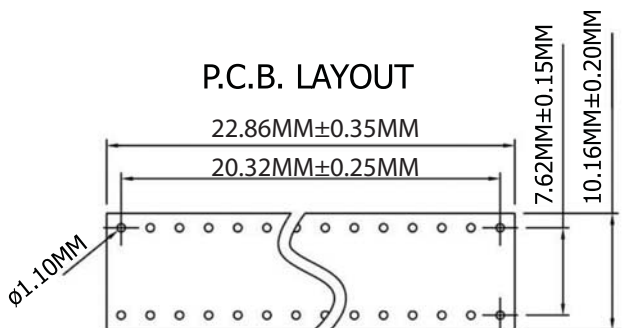


P.C.B. LAYOUT



Materials

- Pin (outer sleeve) : Brass,machined, CuZn38Pb2
- Clip (contact 4 finger) : Beryllium copper, heat treated or PHBZ
- Plating (outer sleeve) : Tin plated : 2µm/80µ"nickel,5µm/200µ" Tin
- Plating clip (contact): 2µm/80µ"nickel, Gold
- Insulator body (black) : Glass filled thermoplastic polyester UL94V-0

Electrical

- Current rating : 3 Amps/contact max.
- Contact resistance : Max 4mΩ
- Insulation resistance : Min 10,000mΩ @ 500 V AC
- Operating Voltage : 100 VRMS / 150 V AC

Mechanical

- Operating temperature : Tin plated: -40°C to +105°C
- Average insertion force with steel pin of: 0.43mm/0.017" < 250g
- Average withdrawal force with steel pin of: 0.43mm/0.017" > 50g
- Mechanical life : min.200
- Packaging: Tube

Scale	1:1						Name	Item No. AR18-HZW/T-R
TOLERANCE					Drawn	11.02.11	Chappell	
X.X	±0.40				Approved			Title IDC-Socket, 18 Pin, Wire Wrap, Pitch: 2.54MM, Pin Length: 17.80MM
X.XX	±0.25							
X.XXX	±0.15							Drawing No.
Angle	±3°							
								Replace
								Sheet
			Modification	Date	Name			rev00

