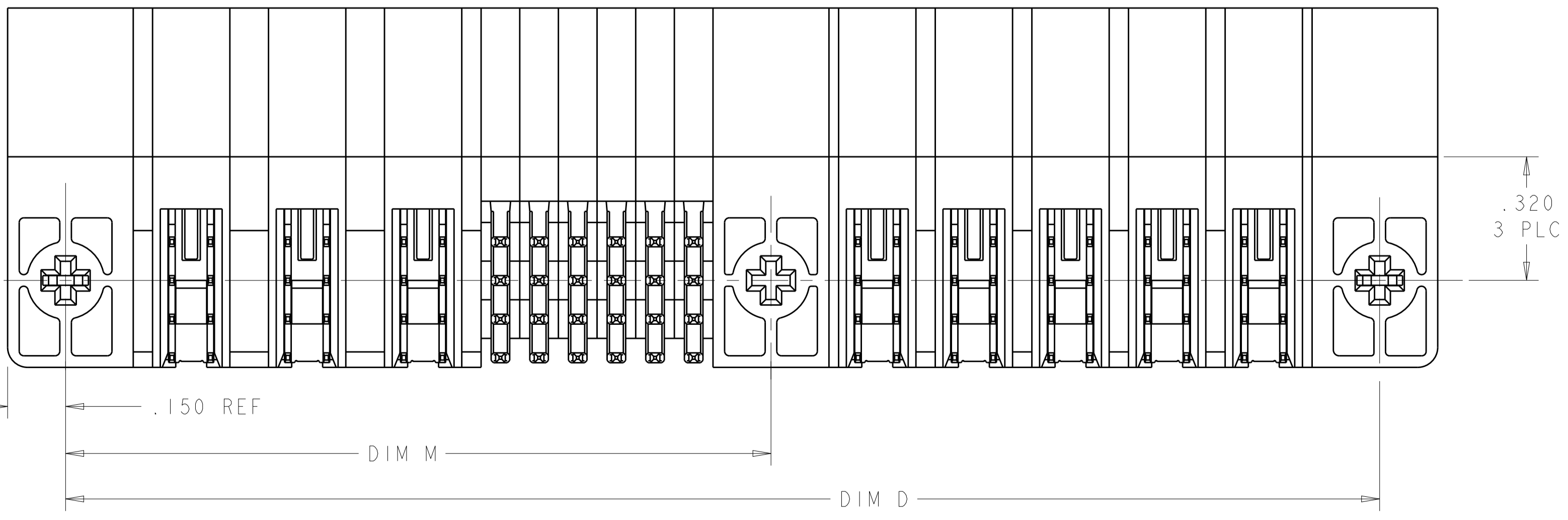
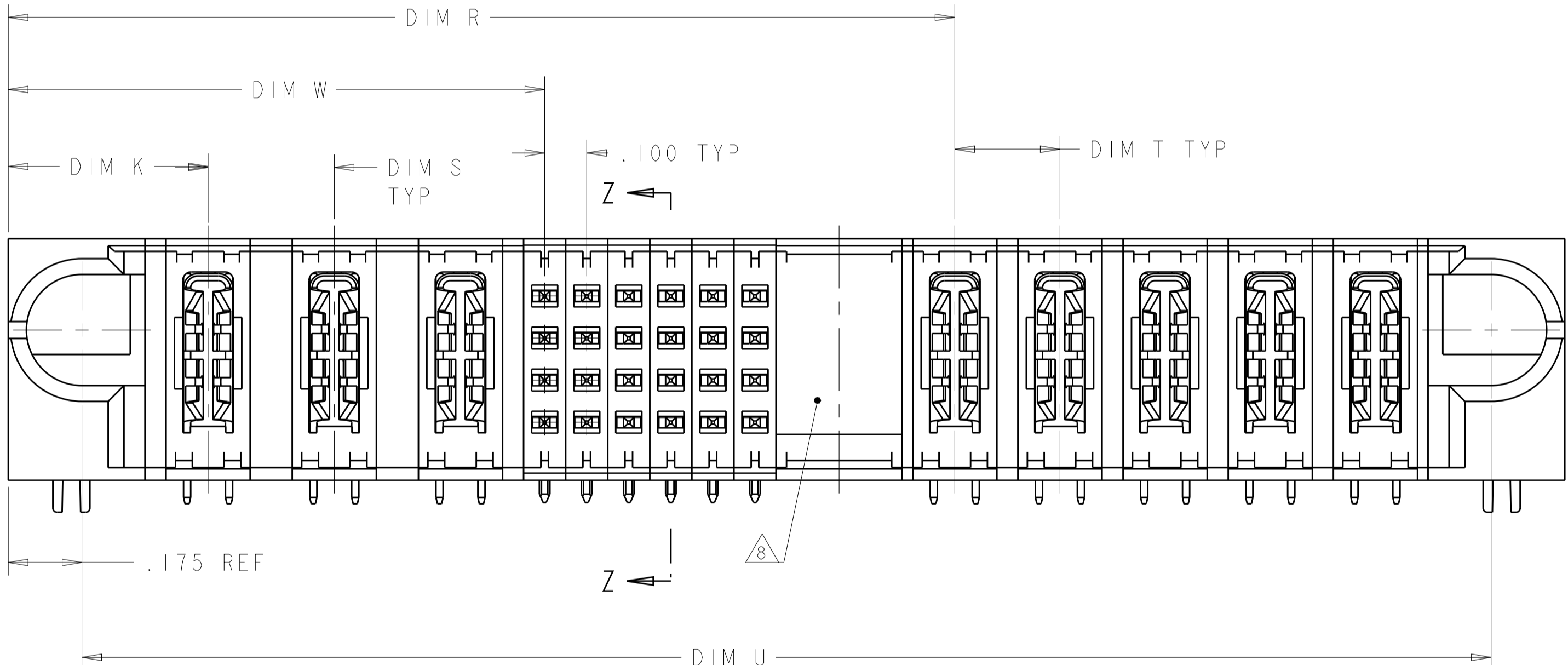
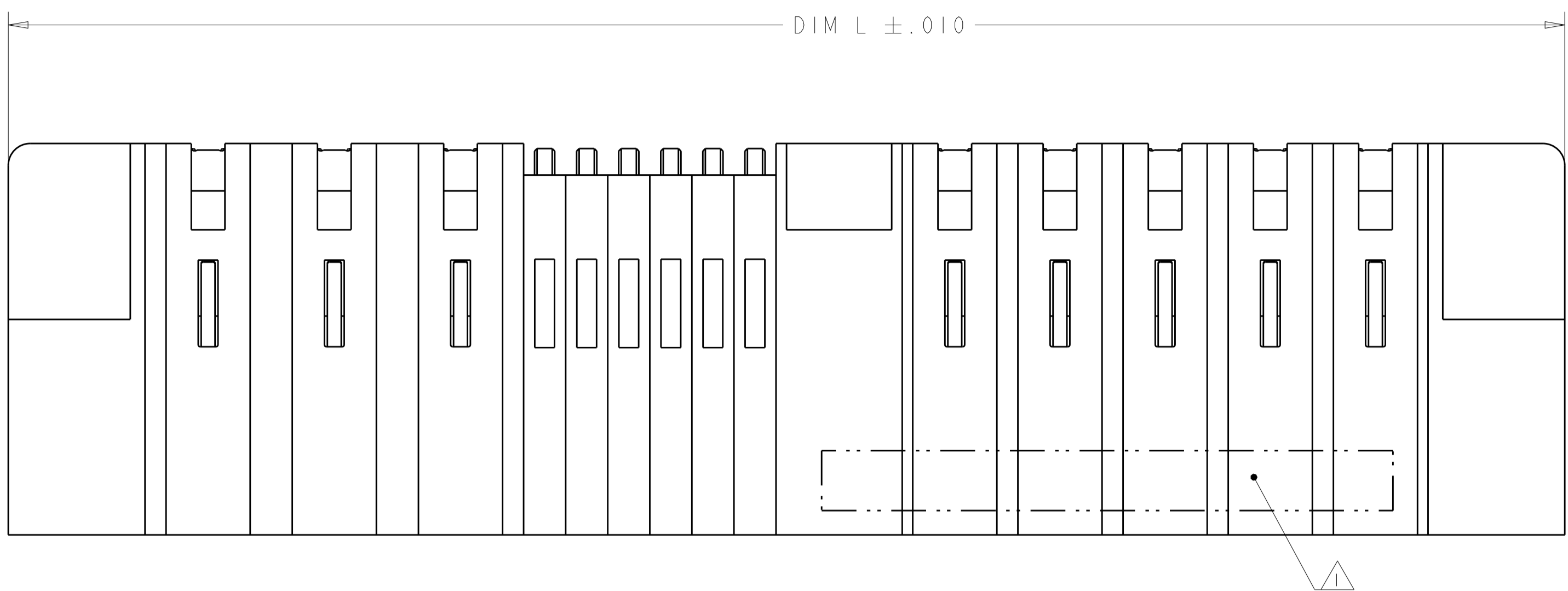
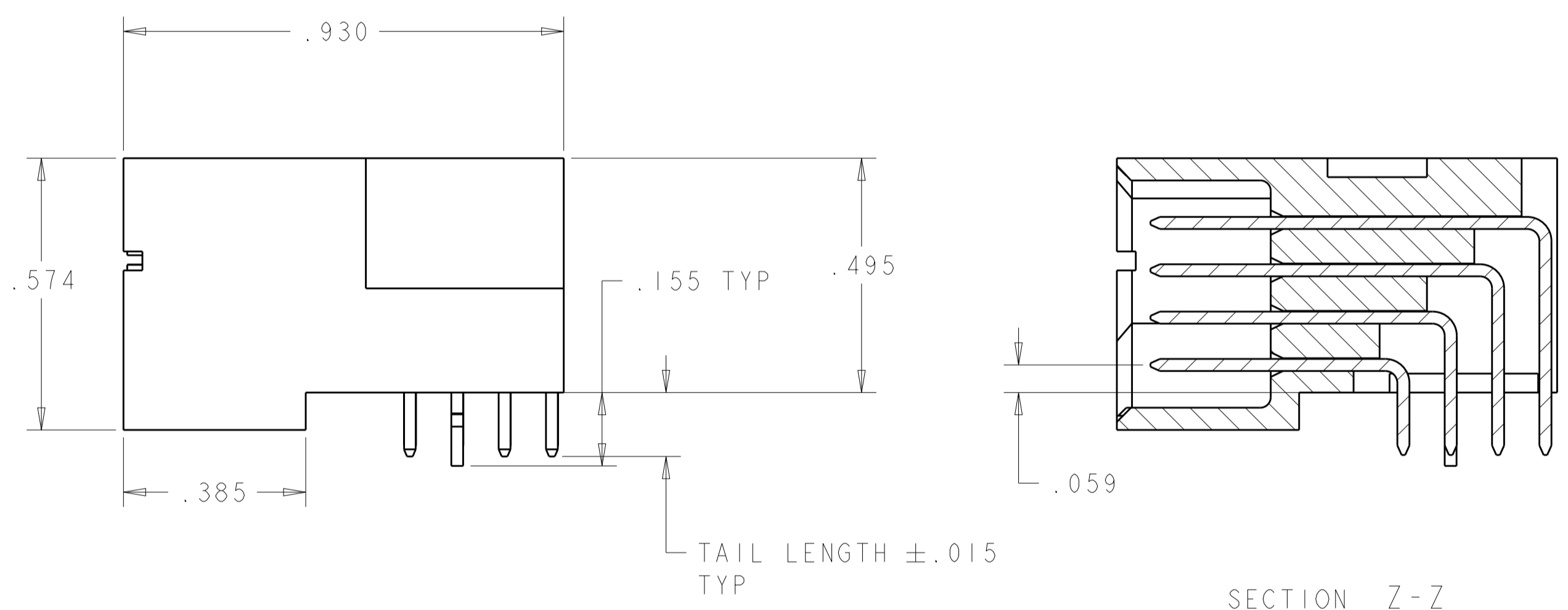


LOC	DIST	REVISIONS					
		P	LTN	DESCRIPTION	DATE	DWN	APVD
ES	00	M1		ADD NEW DASH NUMBER 7-0	08FEB2014	AL	SZ
		M2		ADD NEW DASH NUMBER	21MAR2014	AL	SZ



- 1 "AMP" PART NUMBER AND DATE CODE TO BE MARKED IN AREA SHOWN. PARTS UNDER 2.500 LONG MAY BE MARKED ON BOTH SIDES.
- 2 MATERIAL: HOUSING - GLASS FILLED HIGH TEMP THERMO PLASTIC, UL 94 V-0  
 SIGNAL CONTACT - COPPER ALLOY  
 POWER CONTACT - HIGH CONDUCTIVITY COPPER ALLOY.
- 3 CONTACT FINISHE:  
 NOBLE METAL PLATED ON THE CONTACT FUNCTIONAL AREA OF POWER AND SIGNAL CONTACTS.
- 4 MECHANICAL CONNECTOR KEEP OUT ZONE. WHEN PLACING CONNECTORS END-TO-END, ALLOW ADDITIONAL 0.1 CLEARANCE BETWEEN CONNECTORS FOR LATCH ACTIVATION.
- 5 DATUM AND BASIC DIMENSIONS ESTABLISHED BY CUSTOMER.
- 6 PCB - ALL HOLE DIAMETERS ARE FINISHED HOLE SIZES.
- 7 PCB - .0453±.0010 DRILLED HOLES PLATED WITH .0003 MIN Sn OVER .001 TO .003 Cu PLATING TO ACHIEVE A .040 DIA HOLE.
- 8 OPTIONAL CENTER MODULE WITH Ø.150 THRU HOLE OR HOLD DOWN FEATURE.



THIS DRAWING IS A CONTROLLED DOCUMENT.

DWN: R.GRZYBOWSKI 02FEB05  
 CHK: M.PERCHEK 02FEB05  
 APVD: M.PERCHEK 02FEB05

**STE** TE Connectivity

NAME: RIGHT ANGLE HEADER W/GUIDES ASSEMBLY MULTI-BEAM XL

PRODUCT SPEC: 108-1973  
 APPLICATION SPEC: 114-13038

SIZE: A1  
 CAGE CODE: 6450120  
 DRAWING NO: 100779

RESTRICTED TO: -

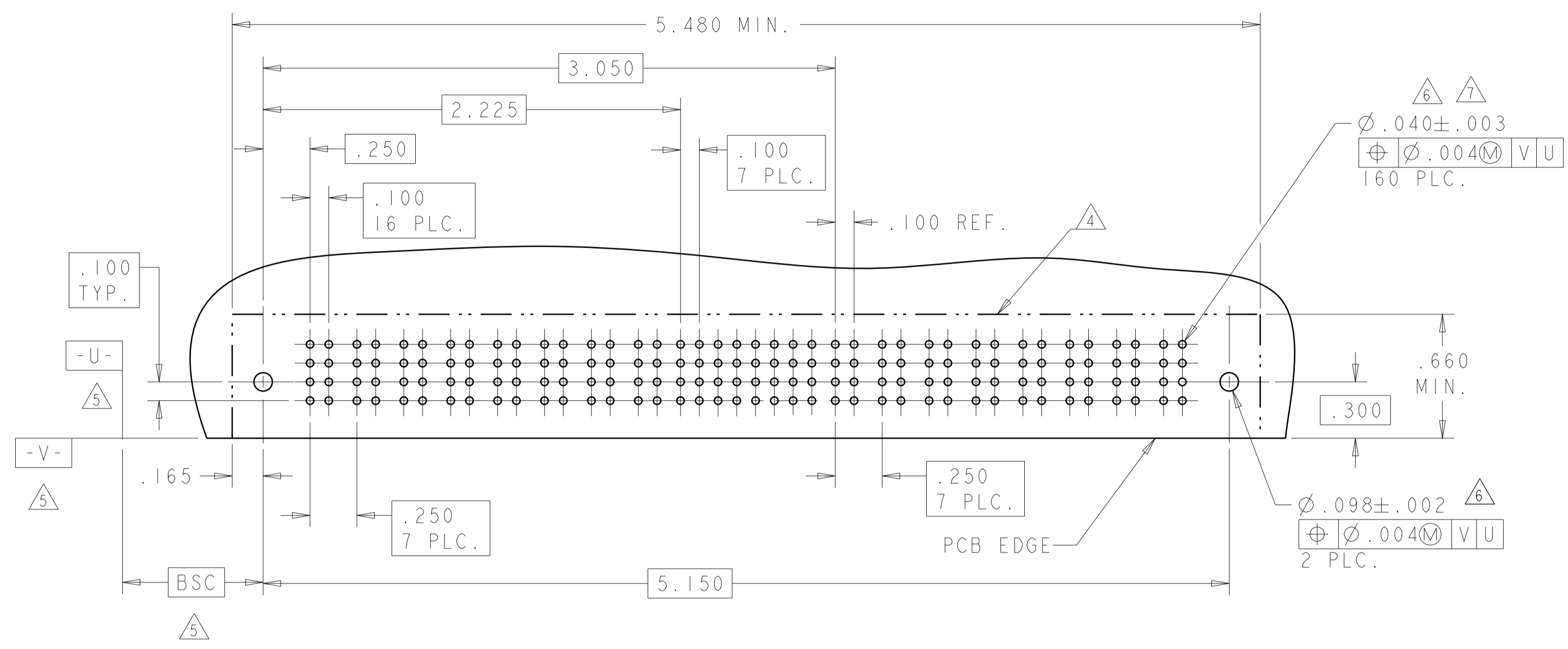
MATERIAL: FINISH:

CUSTOMER DRAWING

SCALE: 4:1 SHEET 1 OF 24 REV: M2

LOC	DIST	REVISIONS					
ES	00	P	LTN	DESCRIPTION	DATE	OWN	APVD
		-		SEE SHEET 1			

PART NUMBER	ROWS	POWER							SIGNAL								POWER												
		P1	P2	P3	P4	P5	P6	P7	P8	1	2	3	4	5	6	7	8	P9	P10	P11	P12	P13	P14	P15	P16				
6450120-1	D C B A	PM	PM	PM	PM	PM	PM	PM	J	J	J	J	J	J	J	J	PM	PM	PM	PM	PM	PM	PM	PM					
									K	K	K	K	K	K	K	K													
									S	S	S	S	S	S	S	S													
8P + 32S + 8P																													

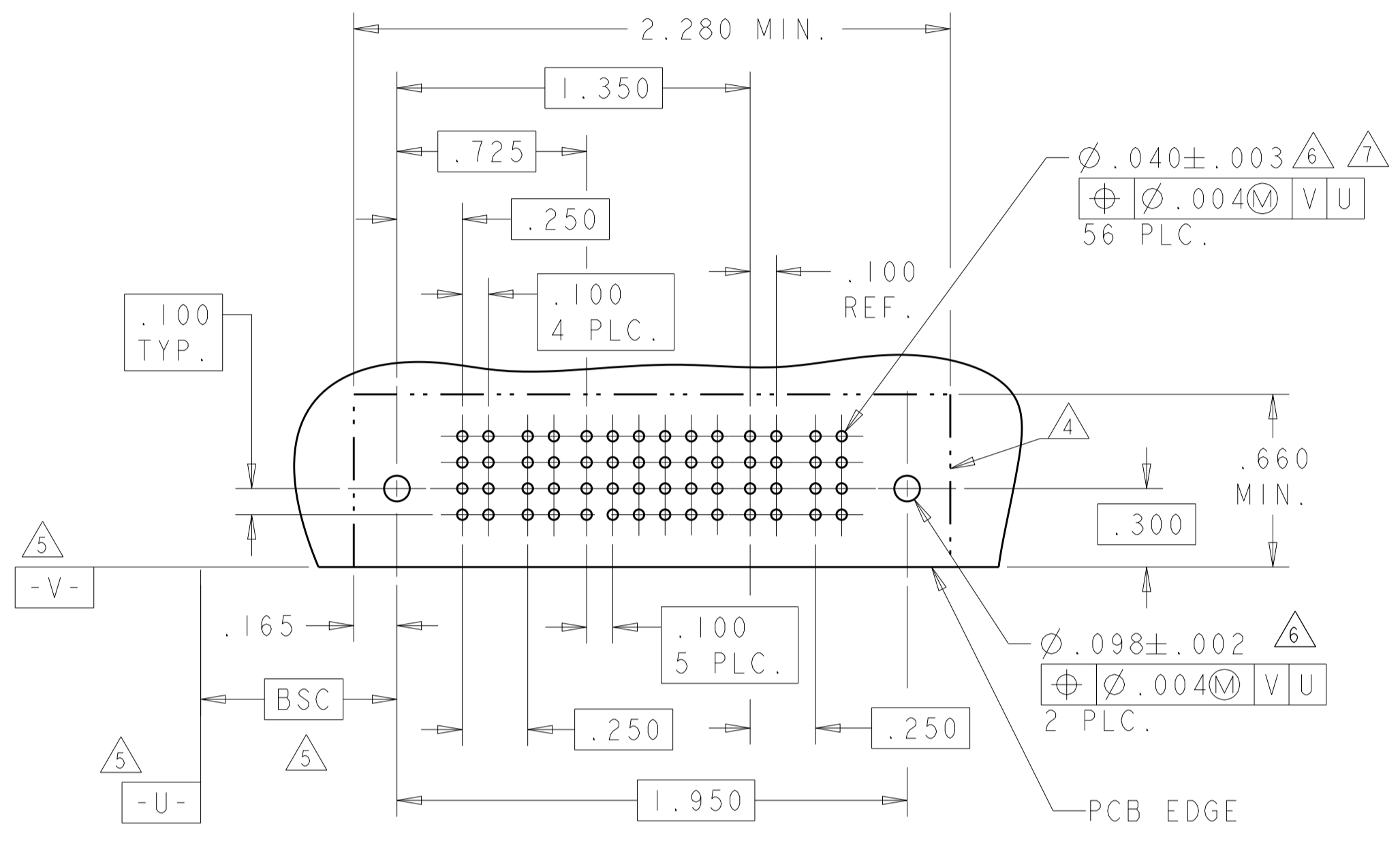


U	S	T	R	W	D	M	L	K	DESCRIPTION	PART NUMBER
1.700	.250	.250	1.300	.875	1.750	-	2.050	.450	2P+16S+2P	7-6450120-1
2.700	.200	-	2.600	1.425	2.750	-	3.050	.450	5P + 44S + 1P	7-6450120-0
1.100	-	-	1.000	.625	1.150	-	1.450	.450	1P+12S+1P	6-6450120-9
1.000	-	-	.900	.625	1.050	-	1.350	.450	1P + 8S + 1P	6-6450120-8
2.850	.300	.200	2.125	1.825	2.900	-	3.200	.450	7HDP + 8S + 3ACP	6-6450120-7
2.650	.250	.200	1.550	.875	2.700	-	3.000	.450	2P + 24S + 6P	6-6450120-6
2.300	.300	.250	1.950	1.275	2.350	-	2.650	.475	3ACP + 24S + 2P	6-6450120-5
3.100	.250	.250	2.250	1.875	3.150	-	3.450	.450	6P + 12S + 4P	6-6450120-4
2.400	.250	.250	1.800	1.125	2.450	-	2.750	.475	3P + 24S + 3P	6-6450120-1
3.000	.300	.250	1.650	1.325	3.050	-	3.350	.475	3ACP + 8S + 6P	6-6450120-0
1.900	.300	.250	1.550	1.275	1.950	-	2.250	.475	3ACP + 8S + 2P	5-6450120-9
2.800	-	-	-	0.375	2.850	-	3.150	-	100S	5-6450120-8
2.700	.250	.250	2.100	1.125	2.750	-	3.050	.450	3P + 36S + 3P	5-6450120-7
1.100	-	-	1.000	.625	1.150	-	1.450	.450	1P + 12S + 1P	5-6450120-6
3.250	.300	.250	2.525	2.175	3.300	-	3.600	.450	7P + 8S + 3ACP	5-6450120-5
2.400	.250	.250	1.550	.875	2.450	-	2.750	.450	2P + 24S + 4P	5-6450120-3
5.400	.300	.300	2.875	2.175	5.450	-	5.750	.475	6P + 24S + 9P	5-6450120-2
3.800	.250	.300	1.875	1.375	3.850	-	4.150	.450	4P + 16S + 7ACP	5-6450120-0
1.600	.250	.250	1.250	.875	1.650	-	1.950	.450	2P + 12S + 2P	4-6450120-9
2.900	.250	.250	2.050	1.375	2.950	-	3.250	.450	4P + 24S + 4P	4-6450120-8
1.900	.250	.250	1.550	0.875	1.950	-	2.250	.450	2P + 24S + 2P	4-6450120-7
2.000	.250	.250	1.400	1.125	2.050	-	2.350	.450	3P + 8S + 3P	4-6450120-6
2.900	.250	.250	3.550	2.875	5.950	-	6.250	.450	10P + 24S + 10P	4-6450120-5
3.700	.200	.300	2.700	2.025	3.750	-	4.050	.450	8P + 24S + 4ACP	4-6450120-4
2.900	.300	.250	2.050	1.575	2.950	-	3.250	.475	4ACP+16S+4P	4-6450120-3
4.375	.250	.300	3.375	2.375	4.425	3.100	4.725	.450	8P + 24S + 1M + 4ACP	4-6450120-2
4.100	.300	.250	2.250	1.575	4.150	-	4.450	.475	4ACP + 24S + 8P	4-6450120-0
3.800	.250	.250	3.450	.875	3.850	-	4.150	.450	2P + 100S + 2P	3-6450120-6
4.600	.250	.250	3.250	1.875	4.650	-	4.950	.450	6P + 52S + 6P	3-6450120-5
5.100	.250	.250	3.500	2.175	5.150	-	5.450	.450	7P + 48S + 7P	3-6450120-4
3.500	.250	.300	2.775	2.375	3.550	-	3.850	.450	8P + 12S + 3ACP	3-6450120-3
4.000	.200	.200	2.700	1.825	4.050	-	4.350	.450	7HDP + 32S + 7HDP	3-6450120-0
3.900	.250	.250	2.550	1.875	3.950	-	4.250	.450	6P + 24S + 6P	2-6450120-7
5.200	.300	.250	2.350	1.625	5.250	-	5.550	.475	4ACP + 24S + 12P	2-6450120-6
2.500	.250	.250	2.150	1.425	2.550	-	2.850	.450	4P + 24S + 2P	2-6450120-5
3.600	.250	.250	2.500	1.625	3.650	-	3.950	.450	5P + 32S + 5P	2-6450120-4
2.500	.250	.250	2.150	.875	2.550	-	2.850	.450	2P + 48S + 2P	2-6450120-3
4.500	.300	.250	1.650	.975	4.550	-	4.850	.475	2ACP + 24S + 12P	2-6450120-2
2.850	.250	.250	2.000	1.125	2.900	-	3.200	.450	3P + 32S + 4P	2-6450120-1
3.950	.200	.250	2.125	1.025	4.000	-	4.300	.425	3P + 40S + 8P	2-6450120-0
1.400	-	-	1.300	.625	1.450	-	1.750	.450	1P + 24S + 1P	1-6450120-6
2.000	.300	.300	1.575	.975	2.050	-	2.350	.475	2P + 20S + 2P	1-6450120-4
1.200	-	-	1.100	.625	1.250	-	1.550	.450	1P + 16S + 1P	1-6450120-3
2.400	.250	.250	1.800	1.125	2.450	-	2.750	.450	3P + 24S + 3P	1-6450120-2
2.675	.200	.200	2.375	1.650	2.725	-	3.025	.450	5P + 24S + 2P	1-6450120-1
4.350	.250	.250	3.500	2.625	4.400	-	4.700	.450	9P + 32S + 4P	1-6450120-0
4.150	.250	.250	2.800	2.125	4.200	-	4.500	.450	7P + 24S + 6P	6450120-9
2.800	.250	.300	2.075	1.375	2.850	-	3.150	.450	4P + 24S + 3ACP	6450120-8
3.050	.300	.250	1.950	1.275	3.100	-	3.400	.475	3ACP + 24S + 5P	6450120-7
7.400	.250	.250	5.050	2.875	7.450	-	7.750	.450	10P + 84S + 10P	6450120-6
4.350	.250	.250	3.000	2.125	4.400	-	4.700	.450	7P + 32S + 6P	6450120-5
3.650	.250	.250	2.550	1.875	3.700	-	4.000	.450	6P + 24S + 5P	6450120-4
2.900	.250	.250	1.800	1.125	2.950	-	3.250	.450	3P + 24S + 5P	6450120-3
1.900	.250	.250	1.550	0.875	1.950	-	2.250	.450	2P + 24S + 2P	6450120-2
5.100	.250	.250	3.250	2.375	5.150	-	5.450	.450	8P + 32S + 8P	6450120-1

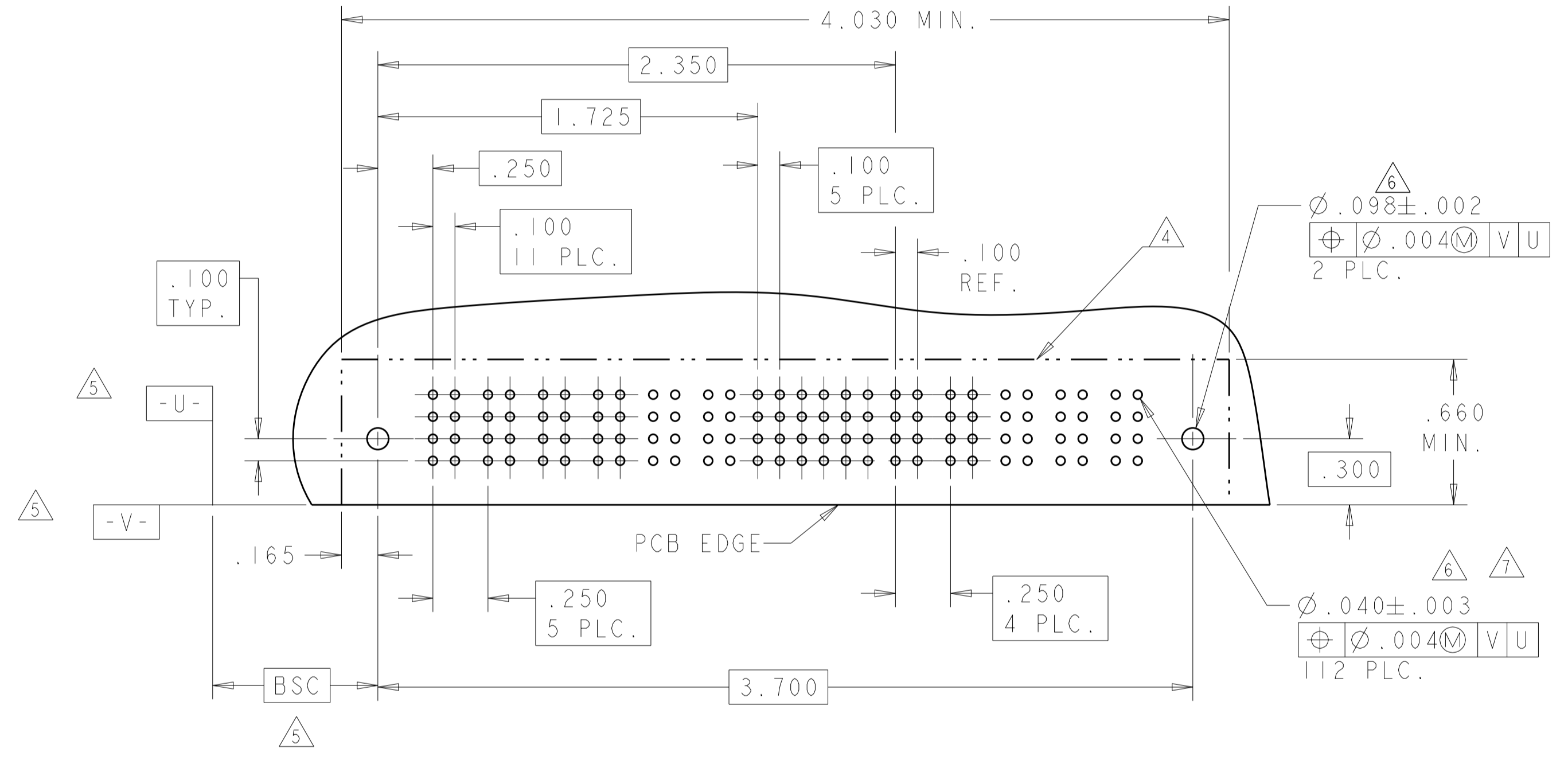
THIS DRAWING IS A CONTROLLED DOCUMENT. DIMENSIONS: INCHES. TOLERANCES UNLESS OTHERWISE SPECIFIED: 0 PLC ±.01, 1 PLC ±.01, 2 PLC ±.01, 3 PLC ±.005, 4 PLC ±.002, ANGLES ±.020. MATERIAL: FINISH: THIS DRAWING IS A CONTROLLED DOCUMENT. DWG: R. GRZYBOWSKI, CHK: M. PERCHERKE, APVD: M. PERCHERKE. NAME: RIGHT ANGLE HEADER W/GUIDES ASSEMBLY MULTI-BEAM XL. PRODUCT SPEC: 108-1973. APPLICATION SPEC: 114-13038. WEIGHT: A100779. CUSTOMER DRAWING. SCALE: 4:1. SHEET 2 OF 24. REV: M2.

LOC		DIST		REVISIONS			
ES	00	P	LTN	DESCRIPTION	DATE	DMN	APVD
				SEE SHEET 1			

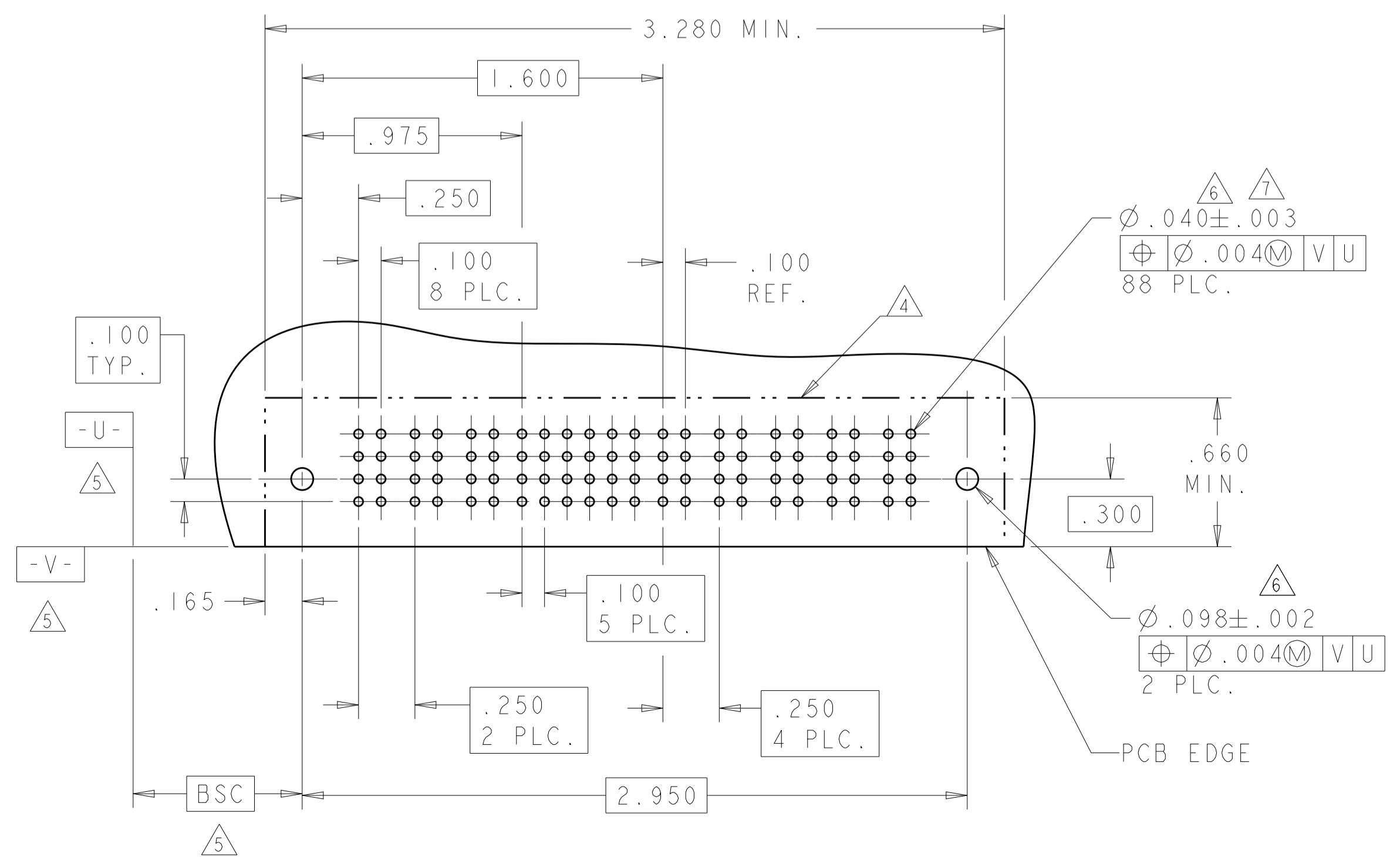
PART NUMBER	ROWS	POWER		SIGNAL						POWER	
		P1	P2	1	2	3	4	5	6	P3	P4
6450120-2	D C B A	PM	PM	J	J	J	J	J	J	PM	PM
				K	K	K	K	K	K		
				N	N	N	N	N	N		
				S	S	S	S	S	S		
2P + 24S + 2P											



PART NUMBER	ROWS	POWER						SIGNAL						POWER										
		P1	P2	P3	P4	P5	P6	1	2	3	4	5	6	P7	P8	P9	P10	P11						
6450120-4	D C B A	PM	PM	PM	PM	PM	PM	PM	PM	PM	PM	PM	PM	PM	PM	PM	PM	PM						
																			J	J	J	J	J	J
																			K	K	K	K	K	K
																			N	N	N	N	N	N
6P + 24S + 5P																								



PART NUMBER	ROWS	POWER			SIGNAL						POWER				
		P1	P2	P3	1	2	3	4	5	6	P4	P5	P6	P7	P8
6450120-3	D C B A	PM	PM	PM	J	J	J	J	J	J	PM	PM	PM	PM	PM
					K	K	K	K	K	K					
					N	N	N	N	N	N					
					S	S	S	S	S	S					
3P + 24S + 5P															



H	MLBF	.135	A
G	MLBF	.135	B
F	MLBF	.135	C
E	MLBF	.135	D
L4	STD	.165	D
L3	STD	.165	B
L2	STD	.165	C
L1	STD	.165	A
Z	STD	.090	D
Y	STD	.090	C
R	STD	.090	B
O	STD	.090	A
F	MLBF	.135	C
G	MLBF	.135	B
J	STD	.135	D
K	STD	.135	C
N	STD	.135	B
S	STD	.135	A
CODE	MATING SEQUENCE	TAIL LENGTH	ROW
SIGNAL CONTACT			

PD	.165
PA	.090
PM	.135
CODE	TAIL LENGTH
POWER CONTACT	

THIS DRAWING IS A CONTROLLED DOCUMENT. DMN: R. GRZYBOWSKI 02FEB05  
 CHK: M. PERCHERKE 02FEB05  
 APVD: M. PERCHERKE 02FEB05

**STE** TE Connectivity

RIGHT ANGLE HEADER W/GUIDES ASSEMBLY MULTI-BEAM XL

PRODUCT SPEC: 108-1973  
 APPLICATION SPEC: 114-13038

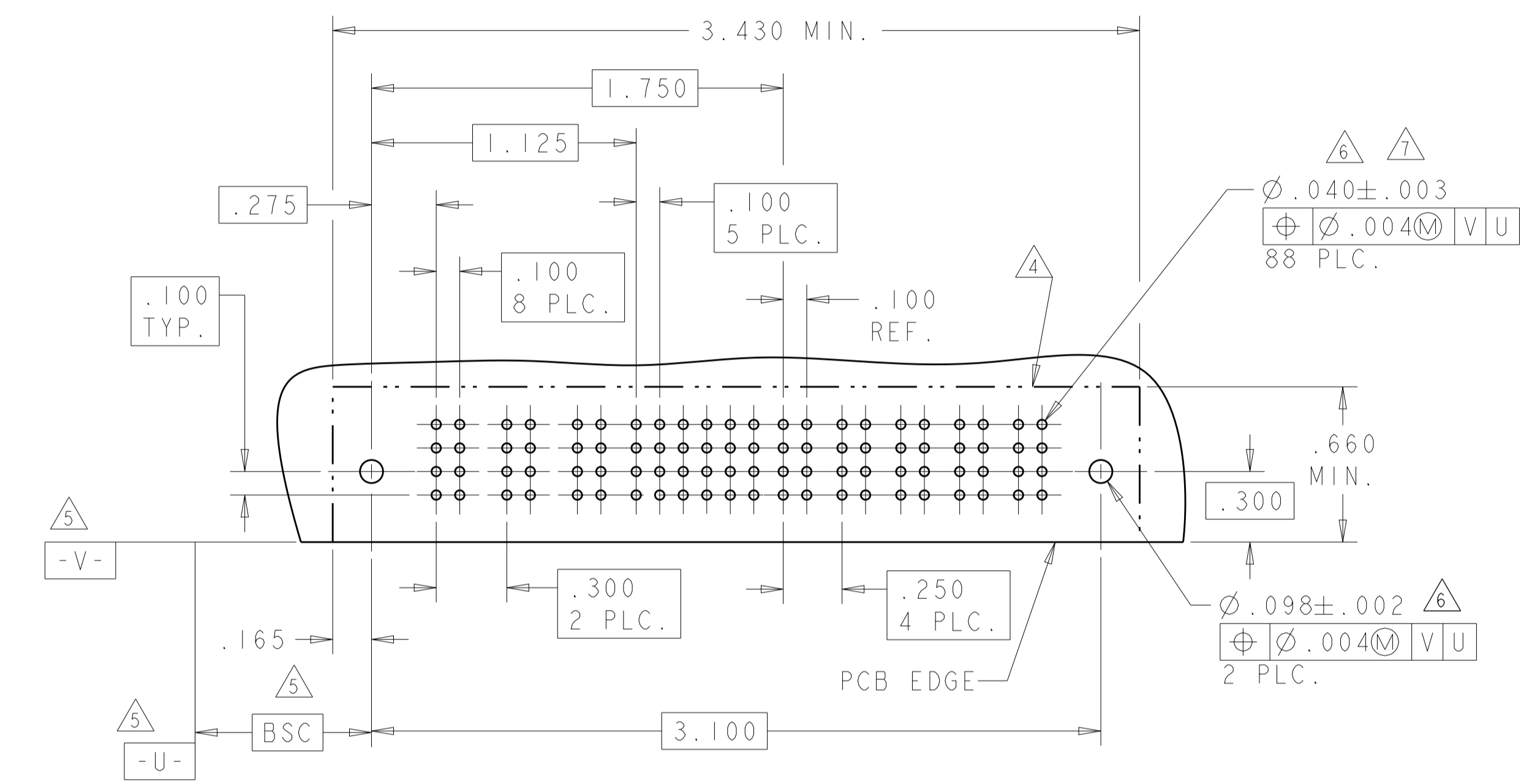
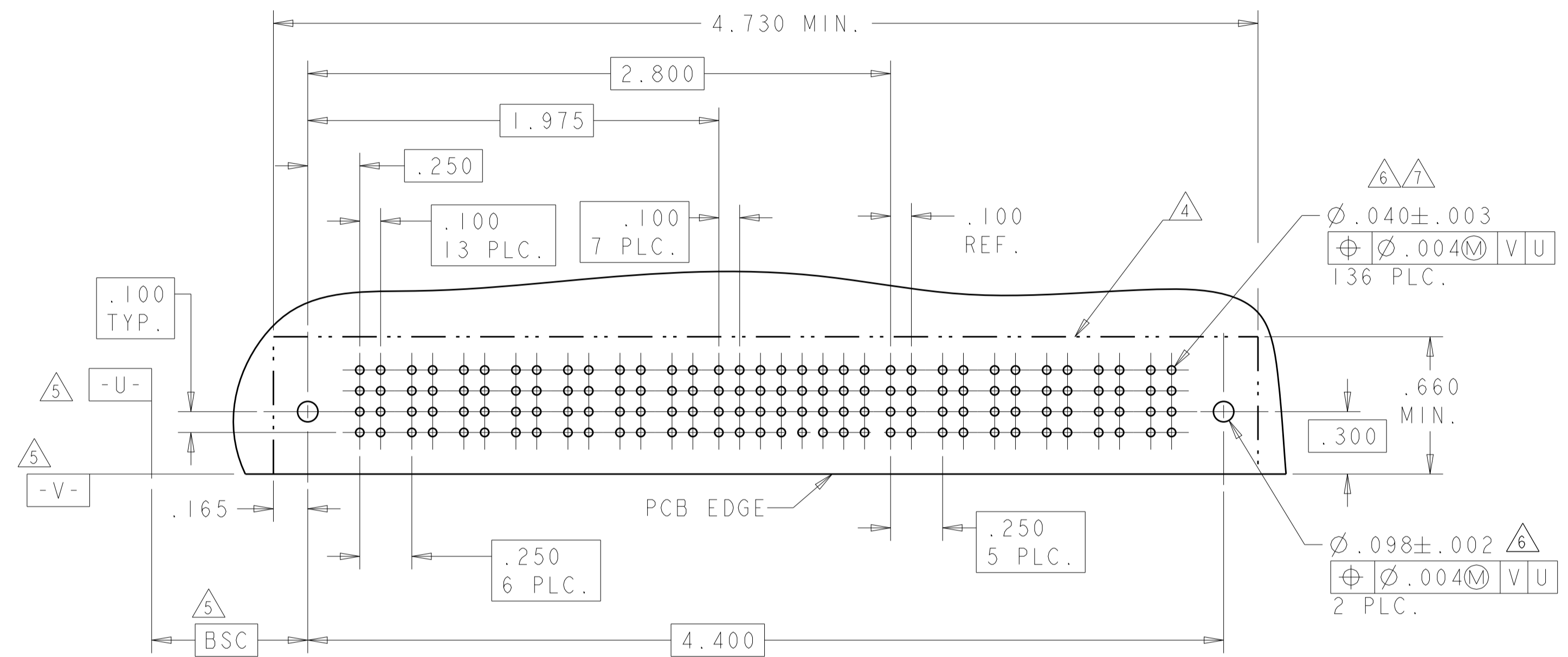
SIZE: A1  
 CAGE CODE: 100779  
 DRAWING NO: 6450120

RESTRICTED TO: 3 OF 24  
 SCALE: 4:1  
 SHEET: 3  
 REV: M2

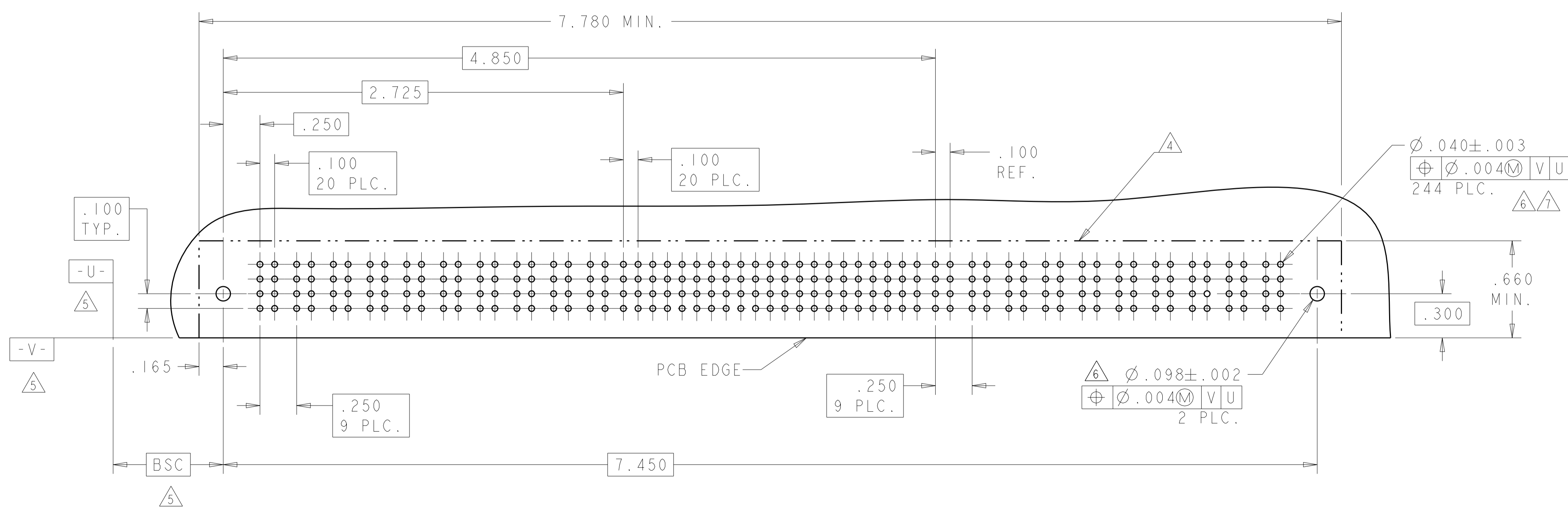
LOC	DIST	REVISONS
ES	00	
P	LTM	DESCRIPTION
		DATE
		DNW
		APVD
SEE SHEET 1		

PART NUMBER	ROWS		POWER					SIGNAL								POWER										
			P1	P2	P3	P4	P5	P6	P7	1	2	3	4	5	6	7	8	P8	P9	P10		P11	P12	P13		
6450120-5	D C B A	HD	PM	PM	PM	PM	PM	PM	J	J	J	J	J	J	J	J	J	PM	PM	PM	PM	PM	PM			
									K	K	K	K	K	K	K	K	K									
									N	N	N	N	N	N	N	N	N									
7P + 32S + 6P																										

PART NUMBER	ROWS		POWER			SIGNAL						POWER						
			P1	P2	P3	1	2	3	4	5	6	P4	P5	P6	P7	P8		
6450120-7	D C B A	HD	PM	PM	PM	J	J	J	J	J	J	J	J	PM	PM	PM	PM	PM
						K	K	K	K	K	K	K						
						N	N	N	N	N	N	N						
3ACP + 24S + 5P																		



PART NUMBER	ROWS		POWER										SIGNAL											POWER																						
			P1	P2	P3	P4	P5	P6	P7	P8	P9	P10	1	2	3	4	5	6	7	8	9	10	11	12	13	14	15	16	17	18	19	20	21		P11	P12	P13	P14	P15	P16	P17	P18	P19	P20		
6450120-6	D C B A	HD	PM	PM	PM	PM	PM	PM	PM	PM	PM	PM	PM	PM	J	J	J	J	J	J	J	J	J	J	J	J	J	J	J	J	J	J	J	J	J	PM	PM	PM	PM	PM	PM	PM	PM	PM	PM	
															K	K	K	K	K	K	K	K	K	K	K	K	K	K	K	K	K	K	K	K	K											K
															N	N	N	N	N	N	N	N	N	N	N	N	N	N	N	N	N	N	N	N	N											N
10P + 84S + 10P																																														



THIS DRAWING IS A CONTROLLED DOCUMENT.

OWN: R. GRZYBOWSKI 02FEB05  
CHK: M. PERCHERKE 02FEB05  
APVD: M. PERCHERKE 02FEB05

DIMENSIONS: INCHES  
TOLERANCES UNLESS OTHERWISE SPECIFIED:  
0 PLC ±.01  
1 PLC ±.01  
2 PLC ±.01  
3 PLC ±.005  
4 PLC ±.002

MATERIAL: -  
FINISH: -

THIS DRAWING IS UNPUBLISHED. ALL RIGHTS RESERVED.

STE TE Connectivity

NAME: RIGHT ANGLE HEADER W/GUIDES ASSEMBLY MULTI-BEAM XL

PRODUCT SPEC: 108-1973  
APPLICATION SPEC: 114-13038

SIZE: A  
CAGE CODE: 100779  
DRAWING NO: 6450120

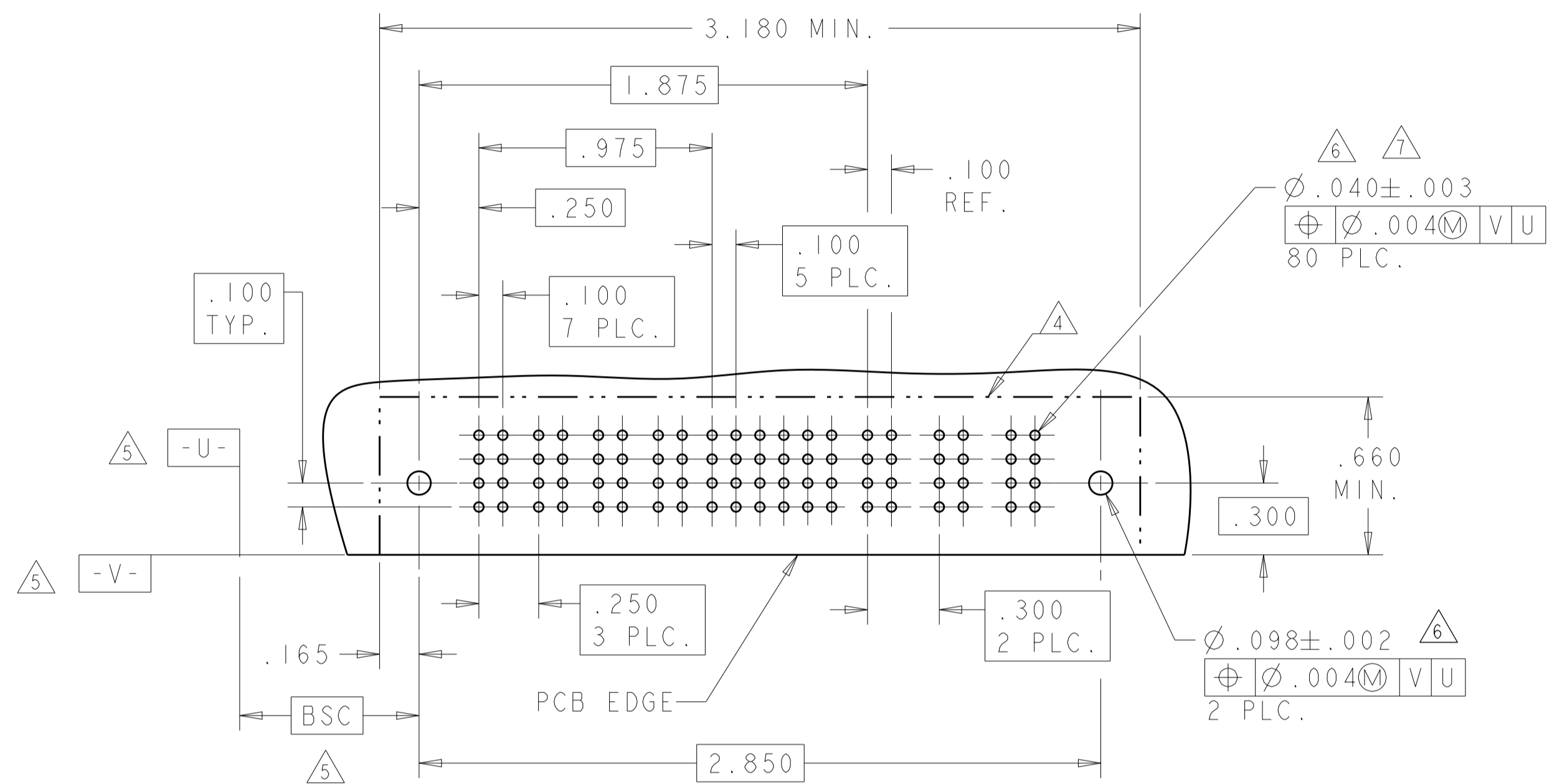
RESTRICTED TO:

CUSTOMER DRAWING

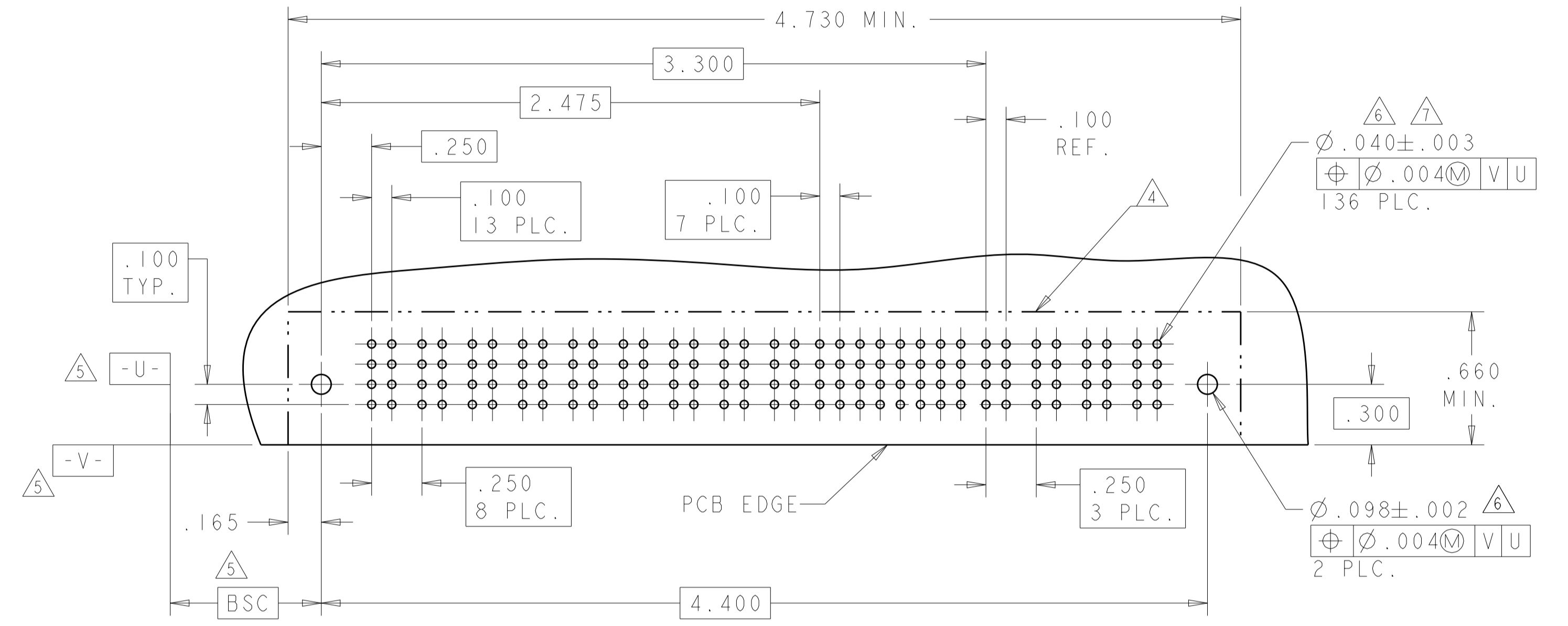
SCALE: 4:1 SHEET 4 OF 24 REV M2

LOC	DIST	REVISIONS			
ES	00	REV	DATE	BY	APPV
		1			
		SEE SHEET 1			

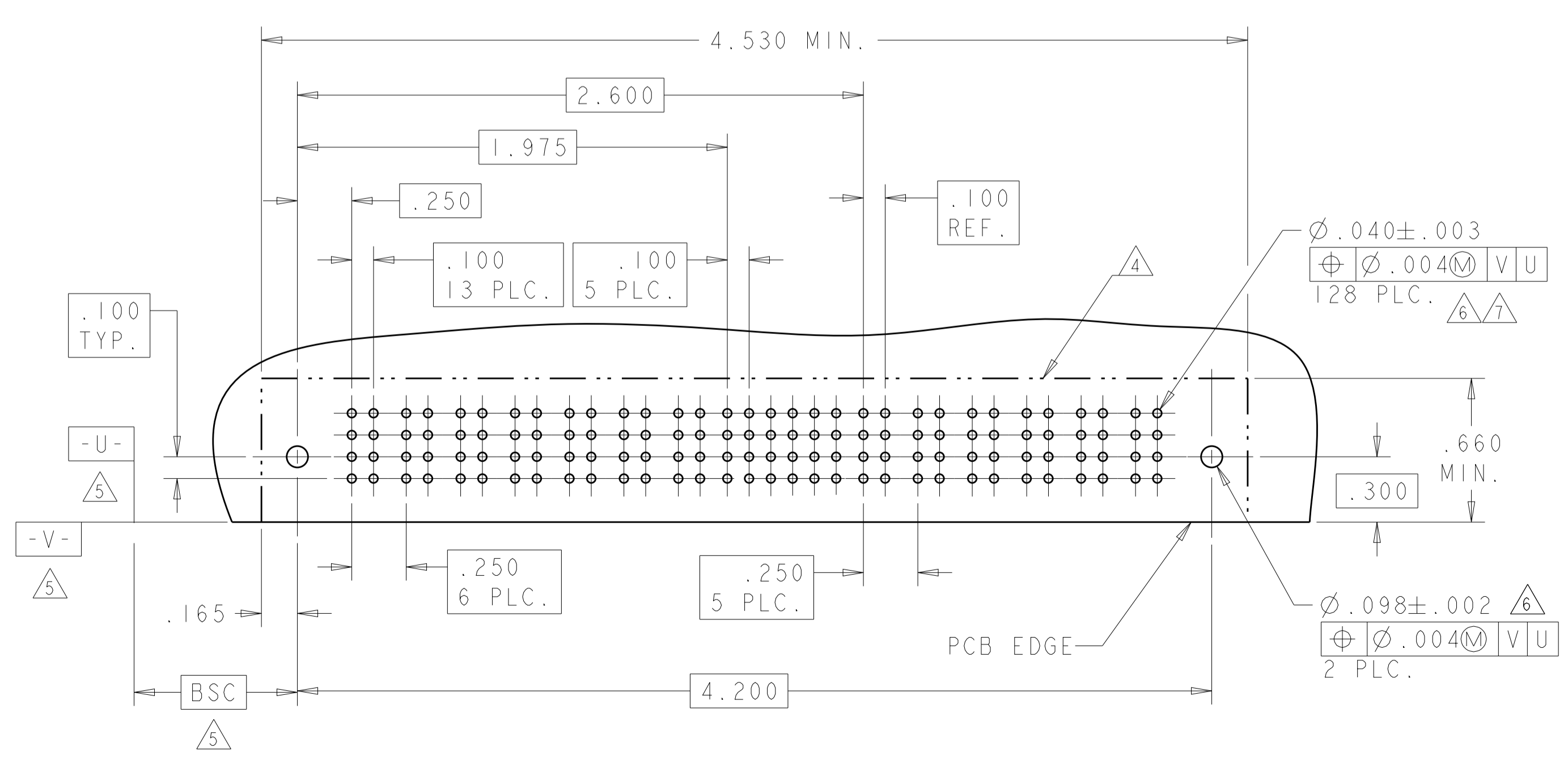
PART NUMBER	ROWS	POWER				SIGNAL						POWER		
		P1	P2	P3	P4	1	2	3	4	5	6	P5	P6	P7
6450120-8	D	PM	PM	PM	PM	J	J	J	J	J	J	PM	PM	PM
	C					K	K	K	K	K	K			
	B					N	N	N	N	N	N			
	A					S	S	S	S	S	S			
4P + 24S + 3ACP														



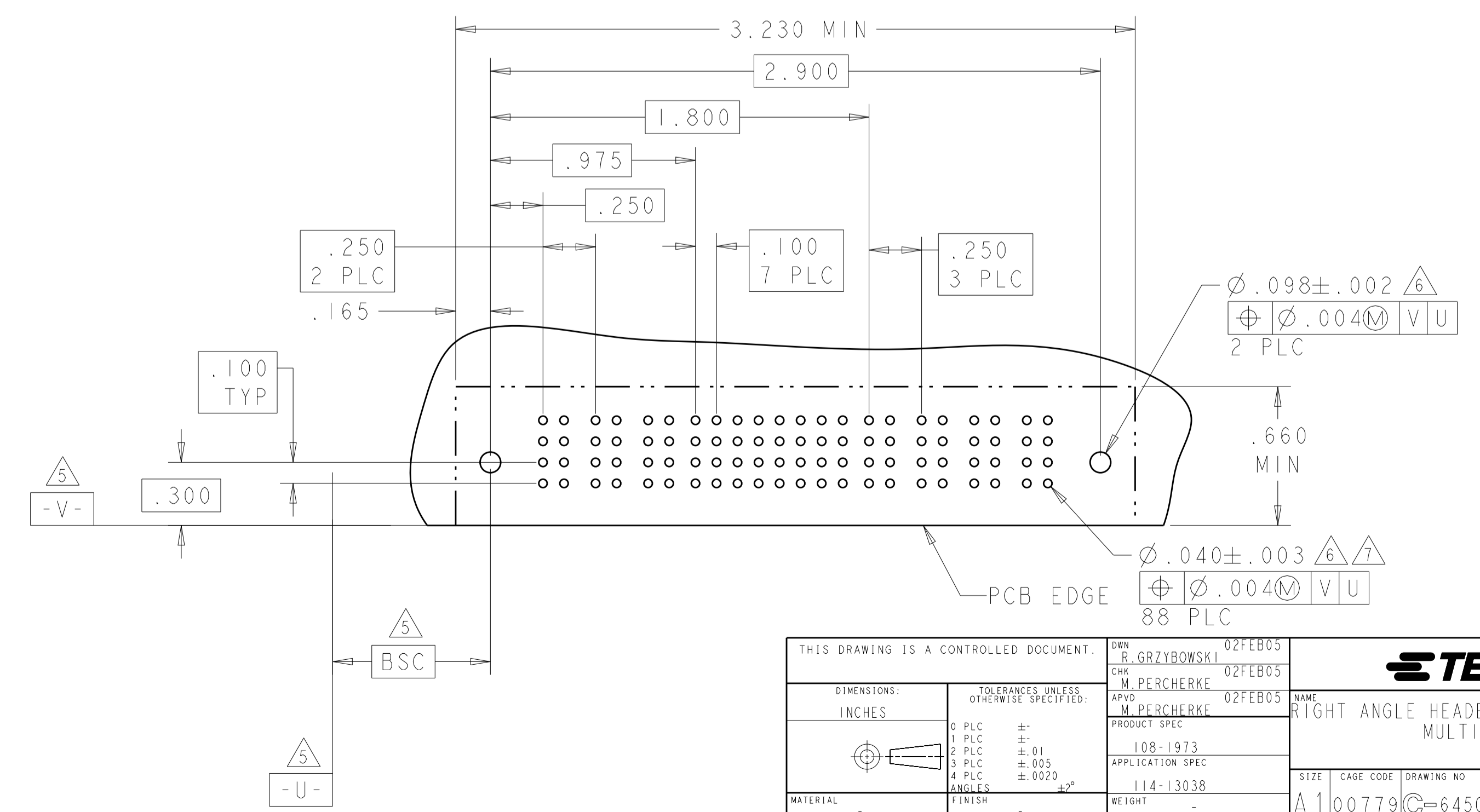
PART NUMBER	ROWS	POWER									SIGNAL								POWER			
		P1	P2	P3	P4	P5	P6	P7	P8	P9	1	2	3	4	5	6	7	8	P10	P11	P12	P13
1-6450120-0	D	PM	PM	PM	PM	PM	PM	PM	PM	PM	J	J	J	J	J	J	J	PM	PM	PM	PM	
	C										K	K	K	K	K	K	K					
	B										N	N	N	N	N	N	N					
	A										S	S	S	S	S	S	S					
9P + 32S + 4P																						



PART NUMBER	ROWS	POWER							SIGNAL						POWER				
		P1	P2	P3	P4	P5	P6	P7	1	2	3	4	5	6	P8	P9	P10	P11	P12
6450120-9	D	PM	PM	PM	PM	PM	PM	J	J	J	J	J	J	PM	PM	PM	PM	PM	PM
	C							K	K	K	K	K	K						
	B							N	N	N	N	N	N						
	A							S	S	S	S	S	S						
7P + 24S + 6P																			



PART NUMBER	ROWS	POWER			SIGNAL								POWER			
		P1	P2	P3	1	2	3	4	5	6	7	8	P4	P5	P6	P7
2-1450120-1	4	PM	PM	PM	J	J	J	J	J	J	J	J	PM	PM	PM	PM
	3				K	K	K	K	K	K	K					
	2				N	N	N	N	N	N	N					
	1				S	S	S	S	S	S	S					
3P + 32S + 4P																



THIS DRAWING IS A CONTROLLED DOCUMENT.

OWN: R. GRZYBOWSKI 02FEB05  
 CHK: M. PERCHERKE 02FEB05  
 APV: M. PERCHERKE 02FEB05

STE TE Connectivity

NAME: RIGHT ANGLE HEADER W/GUIDES ASSEMBLY MULTI-BEAM XL

PRODUCT SPEC: 108-1973  
 APPLICATION SPEC: 114-13038

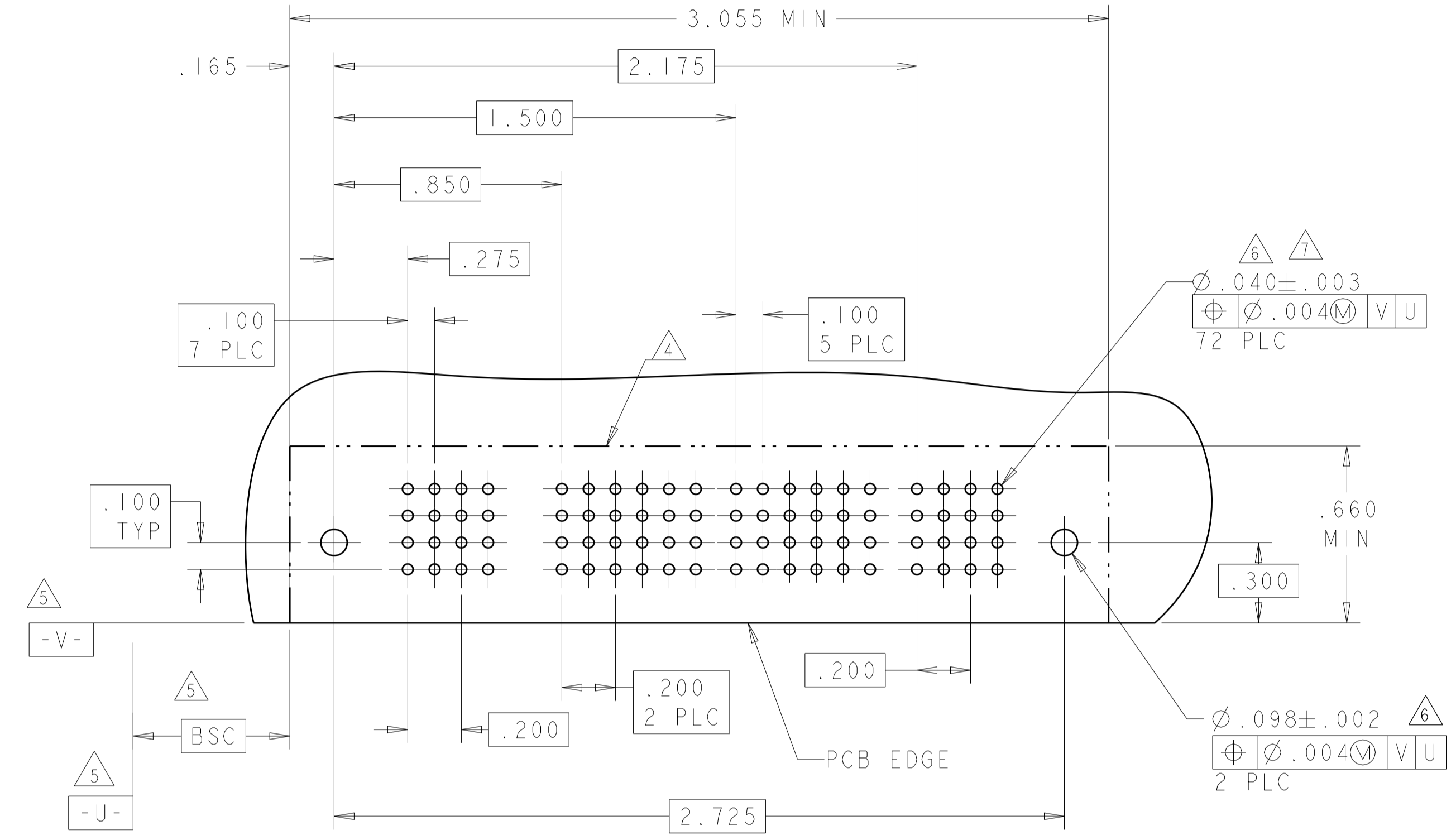
SIZE: A1  
 CAGE CODE: 6450120  
 DRAWING NO: 100779  
 SHEET 5 OF 24

SCALE: 4:1

LOC		DIST		REVISONS			
ES	00	P	LTN	DESCRIPTION	DATE	DWN	APVD
				SEE SHEET 1			

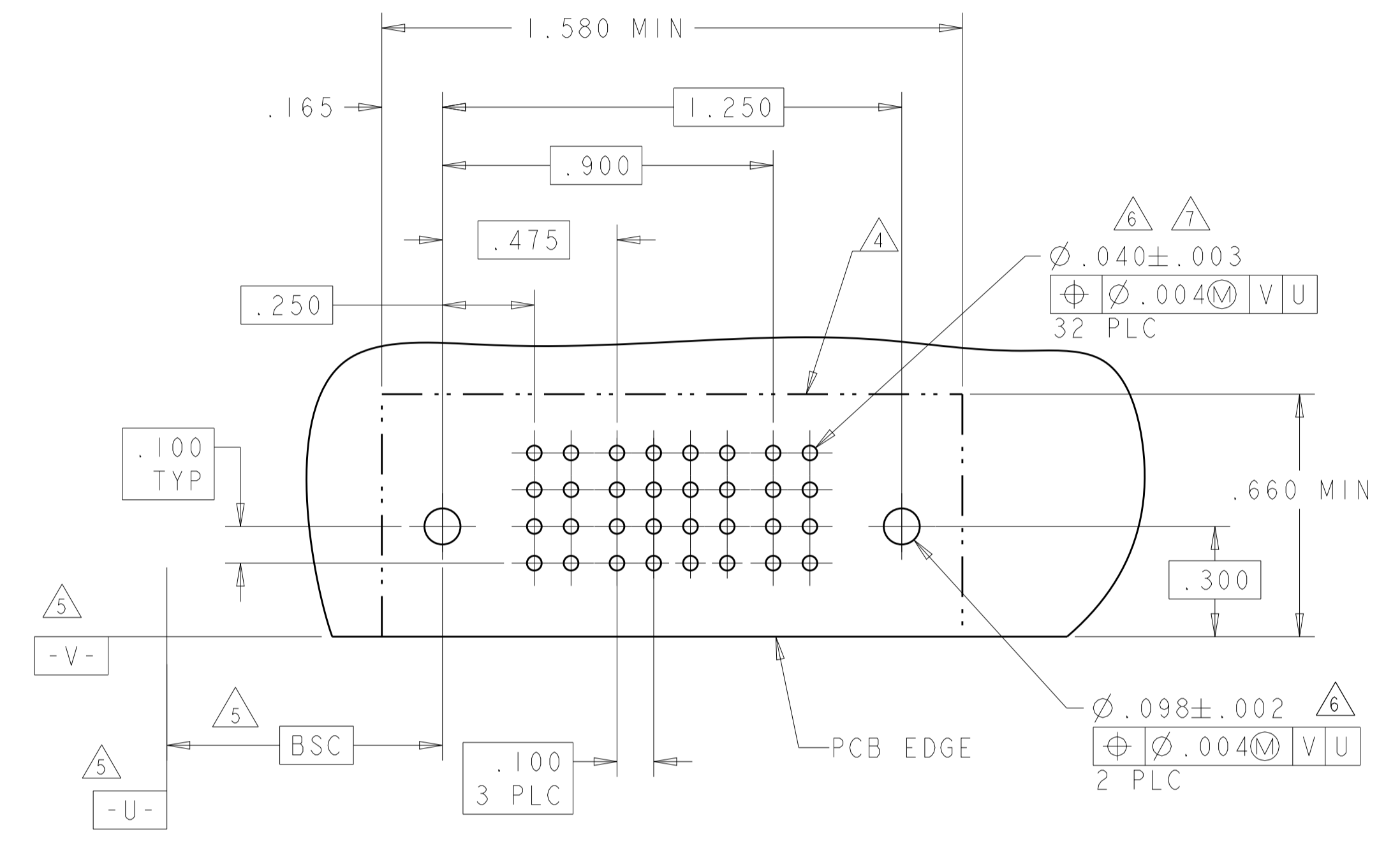
PART NUMBER	ROWS	POWER					SIGNAL						POWER	
		P1	P2	P3	P4	P5	1	2	3	4	5	6	P6	P7
1-6450120-1	D						J	J	J	J	J	J		
	C						K	K	K	K	K	K		
	B						N	N	N	N	N	N		
A							S	S	S	S	S			

5P + 24S + 2P



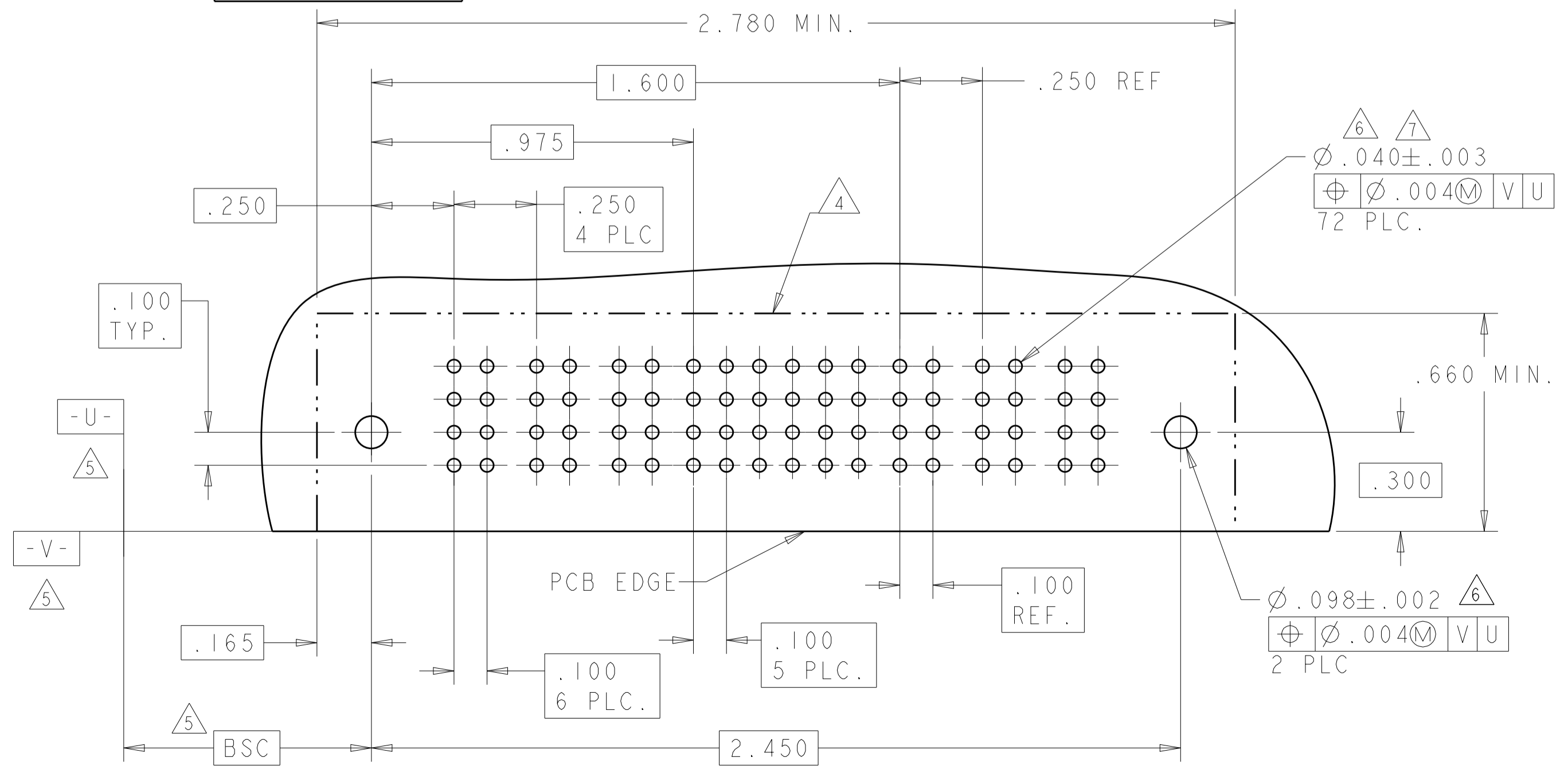
PART NUMBER	ROWS	POWER		SIGNAL				POWER
		P1	P2	1	2	3	4	P2
1-6450120-3	D			J	J	J	J	
	C			K	K	K	K	
	B			N	N	N	N	
A				S	S	S	S	

IP + 16S + IP



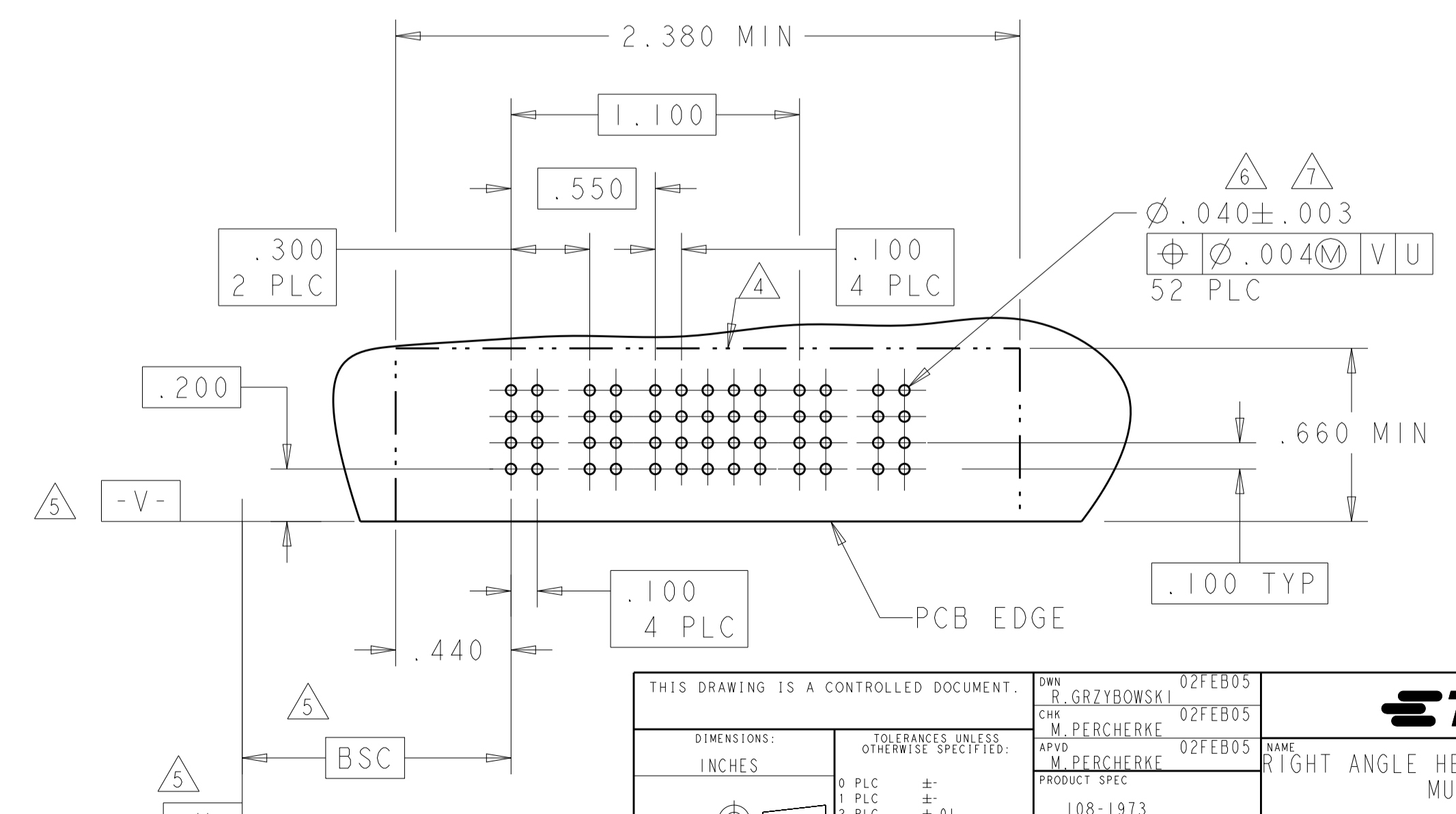
PART NUMBER	ROWS	POWER			SIGNAL						POWER		
		P1	P2	P3	1	2	3	4	5	6	P4	P5	P6
1-6450120-2	D				J	J	J	J	J	J			
	C				K	K	K	K	K	K			
	B				N	N	N	N	N	N			
A					S	S	S	S	S				

3P + 24S + 3P



PART NUMBER	ROWS	POWER		SIGNAL					POWER	
		P1	P2	1	2	3	4	5	P3	P4
1-6450120-4	D			J	J	J	J	J		
	C			K	K	K	K	K		
	B			N	N	N	N	N		
A				S	S	S	S	S		

2P + 20S + 2P



THIS DRAWING IS A CONTROLLED DOCUMENT. DWN: R. GRZYBOWSKI, 02FEB05, CHK: M. PERCHERKE, 02FEB05, APVD: M. PERCHERKE, 02FEB05

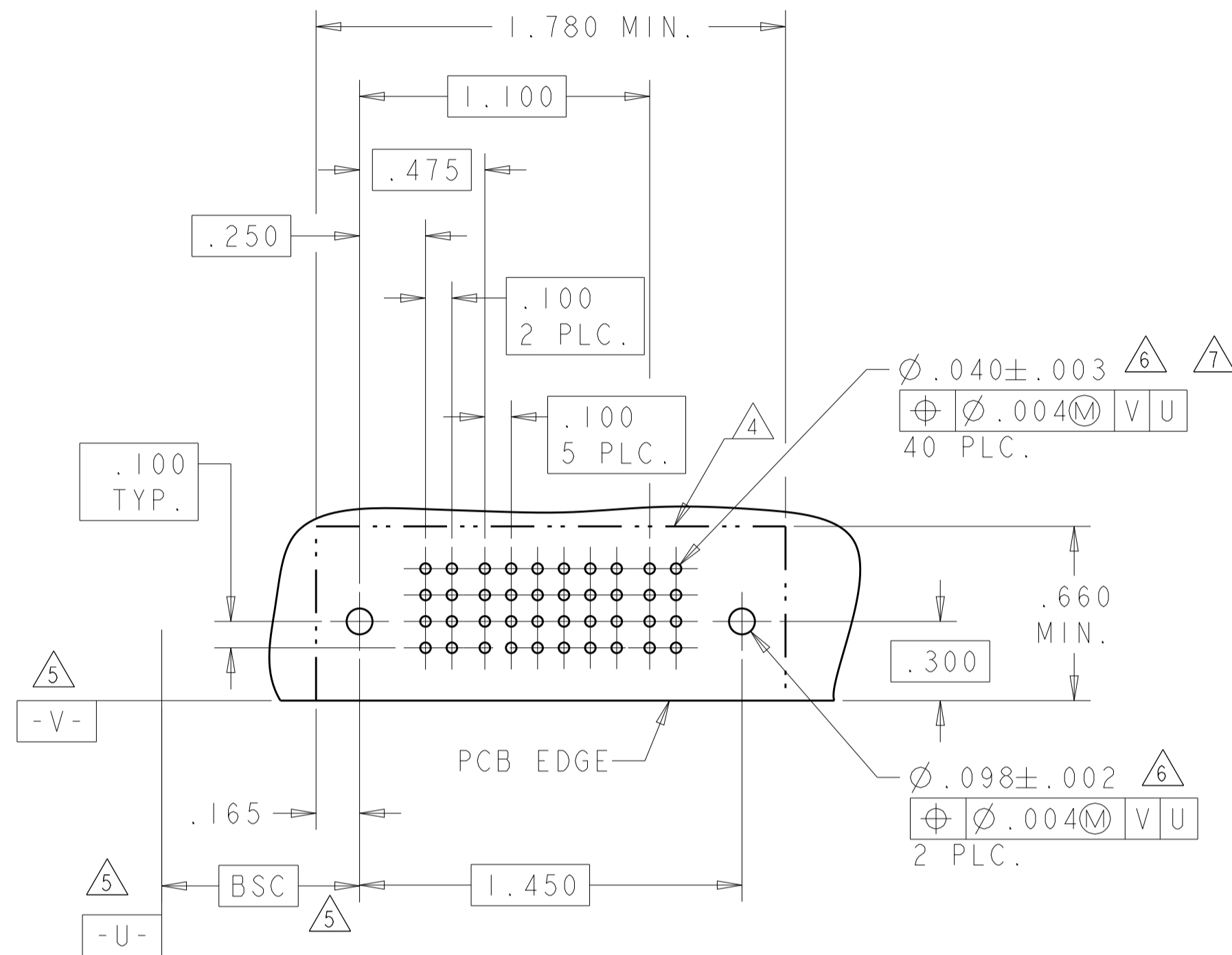
DIMENSIONS:	TOLERANCES UNLESS OTHERWISE SPECIFIED:	MATERIAL: . FINISH: .
INCHES	0 PLC ±. .1 PLC ±.01 .5 PLC ±.005 .4 PLC ±.0020	
	ANGLES ±.0020	
THIS DRAWING IS A CONTROLLED DOCUMENT. DWN: R. GRZYBOWSKI, 02FEB05, CHK: M. PERCHERKE, 02FEB05, APVD: M. PERCHERKE, 02FEB05		MATERIAL: . FINISH: .
DIMENSIONS: INCHES		
TOLERANCES UNLESS OTHERWISE SPECIFIED: 0 PLC ±. .1 PLC ±.01 .5 PLC ±.005 .4 PLC ±.0020		

**STE** TE Connectivity  
RIGHT ANGLE HEADER W/GUIDES ASSEMBLY MULTI-BEAM XL

SIZE: 108-1973	CAGE CODE: 114-13038	DRAWING NO: A100779	REV: 2
APPLICATION SPEC	WEIGHT	SCALE: 4:1	SHEET 6 OF 24

CUSTOMER DRAWING

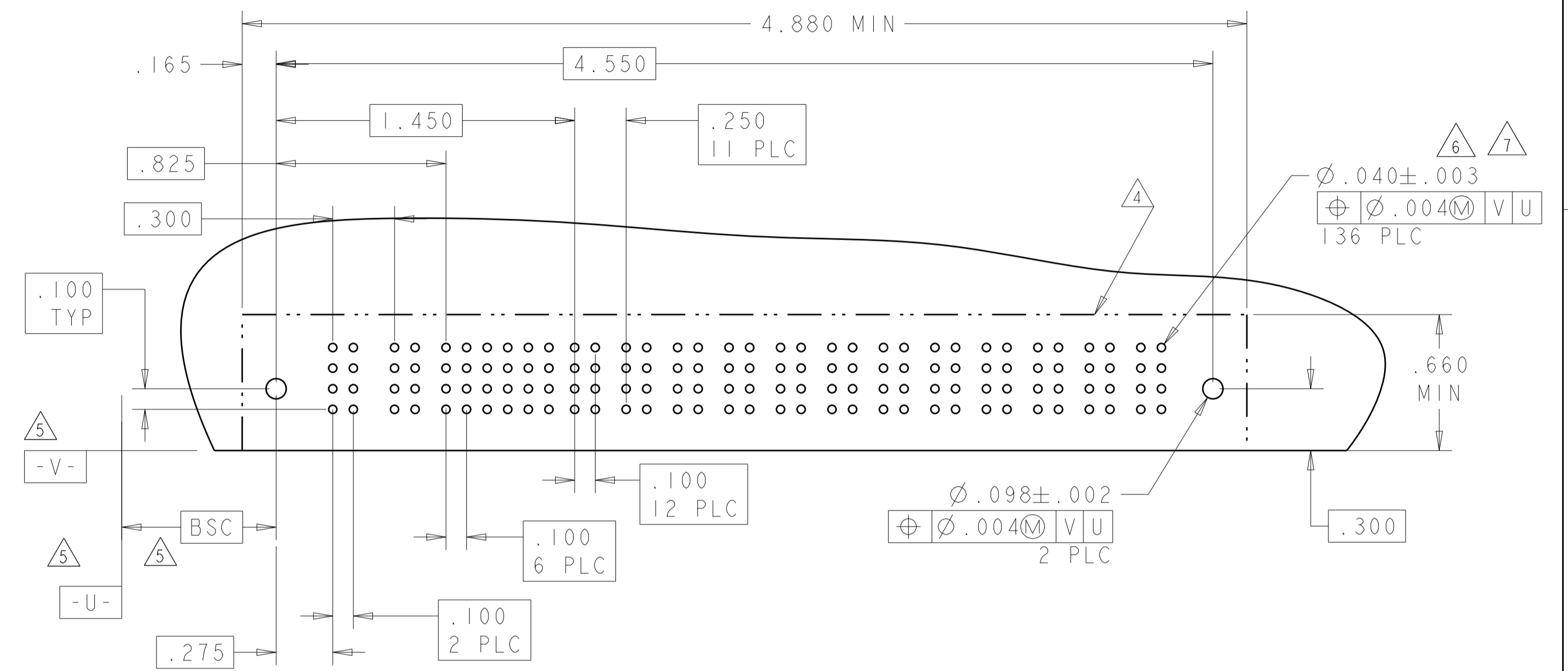
PART NUMBER	ROWS	POWER		SIGNAL						POWER			
		PI	P2	1	2	3	4	5	6	P7	P8		
1-6450120-6	D	PA	PA	Z	Z	Z	Z	Z	Z	PA	PA	HD	HD
	C			Y	Y	Y	Y	Y	Y				
	B			R	R	R	R	R	R				
A	O	O	O	O	O	O							
IP + 24S + IP													



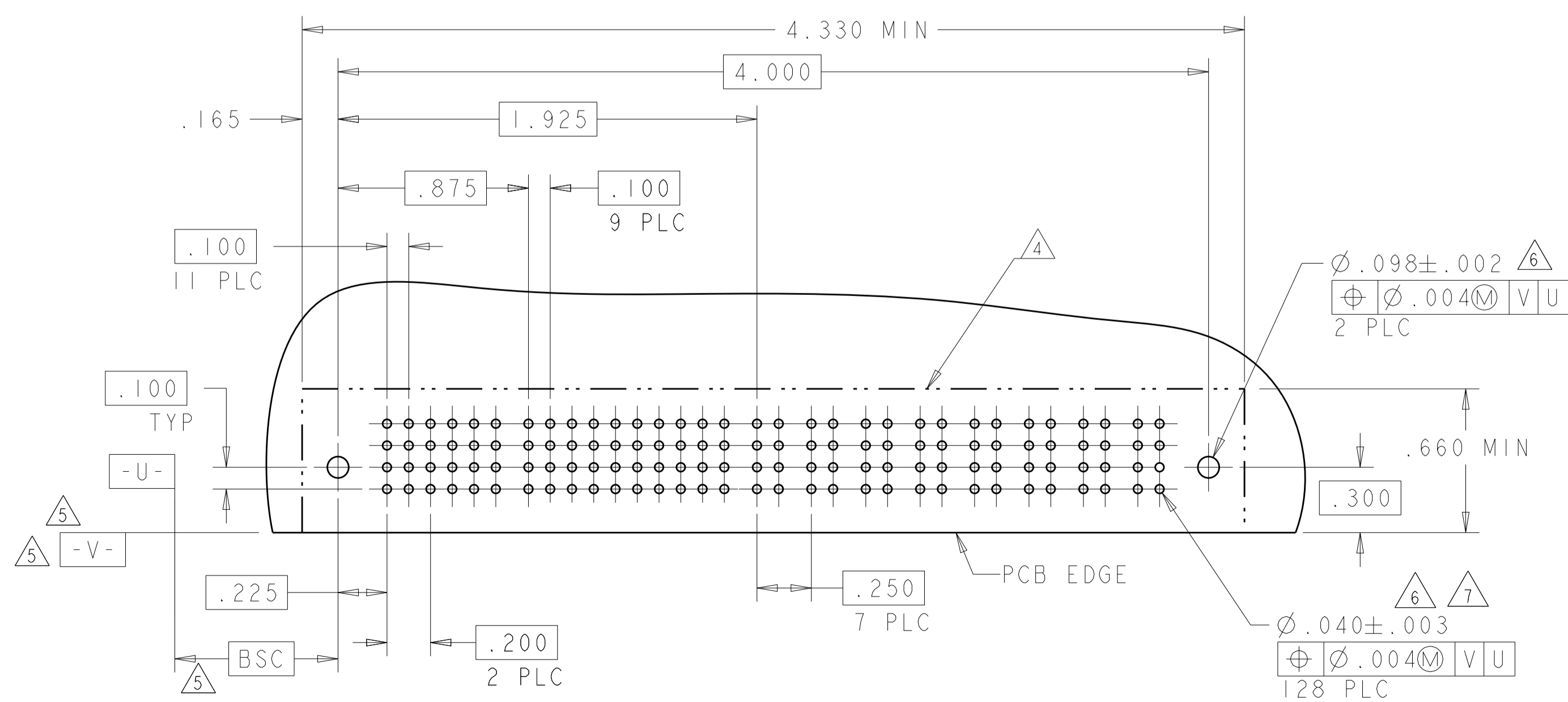
LOC	DIST	REV	DATE	APP'D
ES	00			

REVISIONS		DATE	OWN	APP'D
1	SEE SHEET 1			

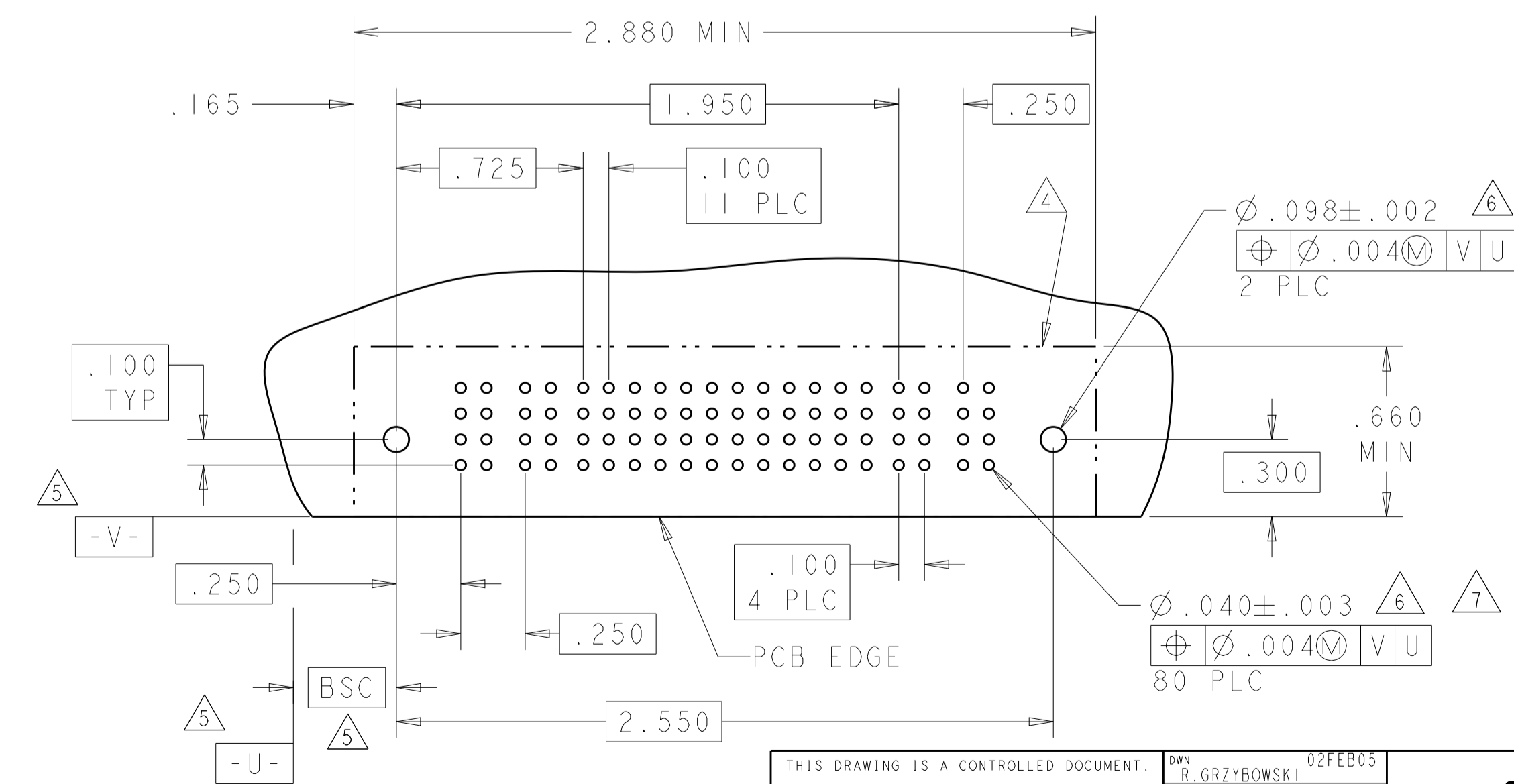
PART NUMBER	ROWS	POWER		SIGNAL						POWER														
		PI	P2	1	2	3	4	5	6	P3	P4	P5	P6	P7	P8	P9	P10	P11	P12	P13	P14			
2-6450120-2	D	PM	PM	J	J	J	J	J	J	PM	PM	PM	PM	PM	PM	PM	PM	PM	PM	PM	PM	PM	PM	PM
	C			K	K	K	K	K	K															
	B			N	N	N	N	N	N															
A	S	S	S	S	S	S																		
2ACP + 24S + 12P																								



PART NUMBER	ROWS	POWER			SIGNAL										POWER										
		PI	P2	P3	1	2	3	4	5	6	7	8	9	10	P4	P5	P6	P7	P8	P9	P10	P11			
2-6450120-0	D	PM	PM	PM	J	J	J	J	J	J	J	J	J	J	PM	PM	PM	PM	PM	PM	PM	PM	PM	PM	PM
	C				K	K	K	K	K	K	K	K	K												
	B				N	N	N	N	N	N	N	N	N	N											
A	S	S	S	S	S	S	S	S	S																
3P + 40S + 8P																									



PART NUMBER	ROWS	POWER		SIGNAL												POWER	
		PI	P2	1	2	3	4	5	6	7	8	9	10	11	12	P3	P4
2-6450120-3	D	PM	PM	J	J	J	J	J	J	J	J	J	J	J	J	PM	PM
	C			K	K	K	K	K	K	K	K	K	K	K			
	B			N	N	N	N	N	N	N	N	N	N	N	N		
A	S	S	S	S	S	S	S	S	S	S	S	S					
2P + 48S + 2P																	



THIS DRAWING IS A CONTROLLED DOCUMENT.

OWN: R. GRZYBOWSKI	02FEB05
CHK: M. PERCHERKE	02FEB05
APP'D: M. PERCHERKE	02FEB05
PRODUCT SPEC	108-1973
APPLICATION SPEC	114-13038
WEIGHT	A100779
CUSTOMER DRAWING	SCALE 4:1 SHEET 7 OF 24 REV M2

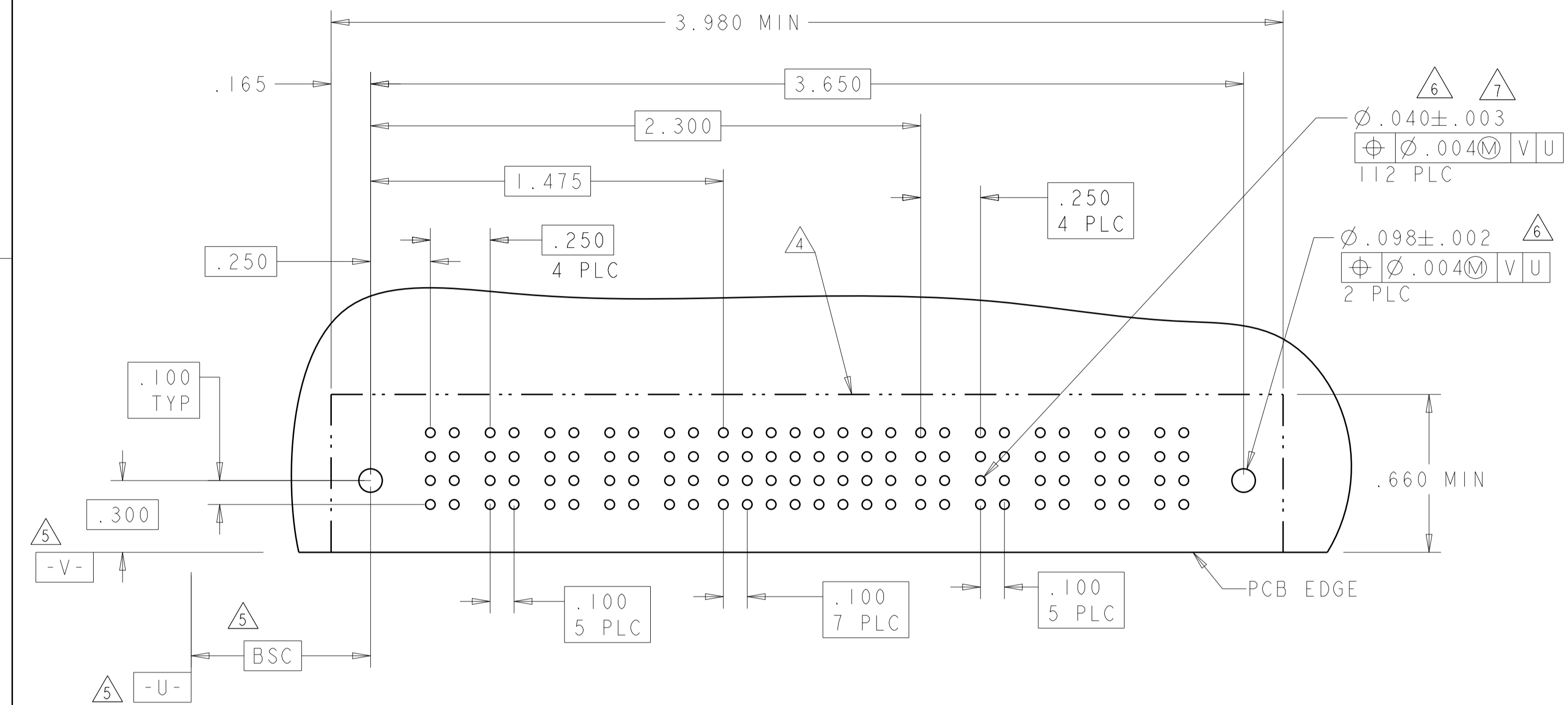
**STE** TE Connectivity

RIGHT ANGLE HEADER W/GUIDES ASSEMBLY MULTI-BEAM XL

SIZE: CAGE CODE: DRAWING NO: RESTRICTED TO

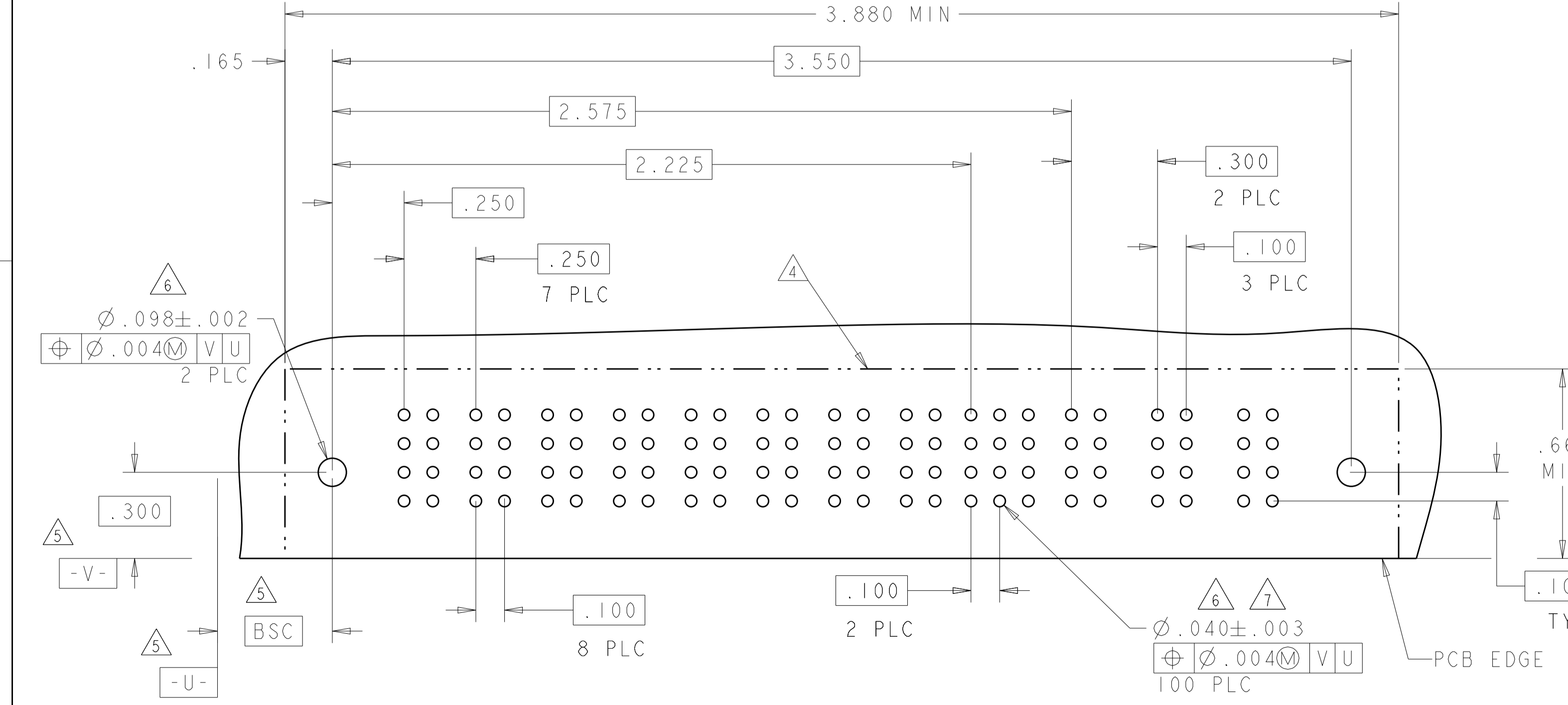
PART NUMBER	ROWS	POWER					SIGNAL								POWER							
		P1	P2	P3	P4	P5	1	2	3	4	5	6	7	8	P6	P7	P8	P9	P10			
2-6450120-4	D C B A	PM	PM	PM	PM	PM	J	J	J	J	J	J	J	J	J	J	J	PM	PM	PM	PM	PM
							K	K	K	K	K	K	K	K	K	K	K					
							N	N	N	N	N	N	N	N	N	N	N					
							S	S	S	S	S	S	S	S	S	S	S					
		HD																				

5P + 32S + 5P



PART NUMBER	ROWS	POWER								SIGNAL			POWER		
		P1	P2	P3	P4	P5	P6	P7	P8	1	2	3	P9	P10	P11
3-6450120-3	D C B A	PM	PM	PM	PM	PM	PM	PM	PM	J	J	J	PM	PM	PM
										K	K	K			
										N	N	N			
										S	S	S			
		HD													

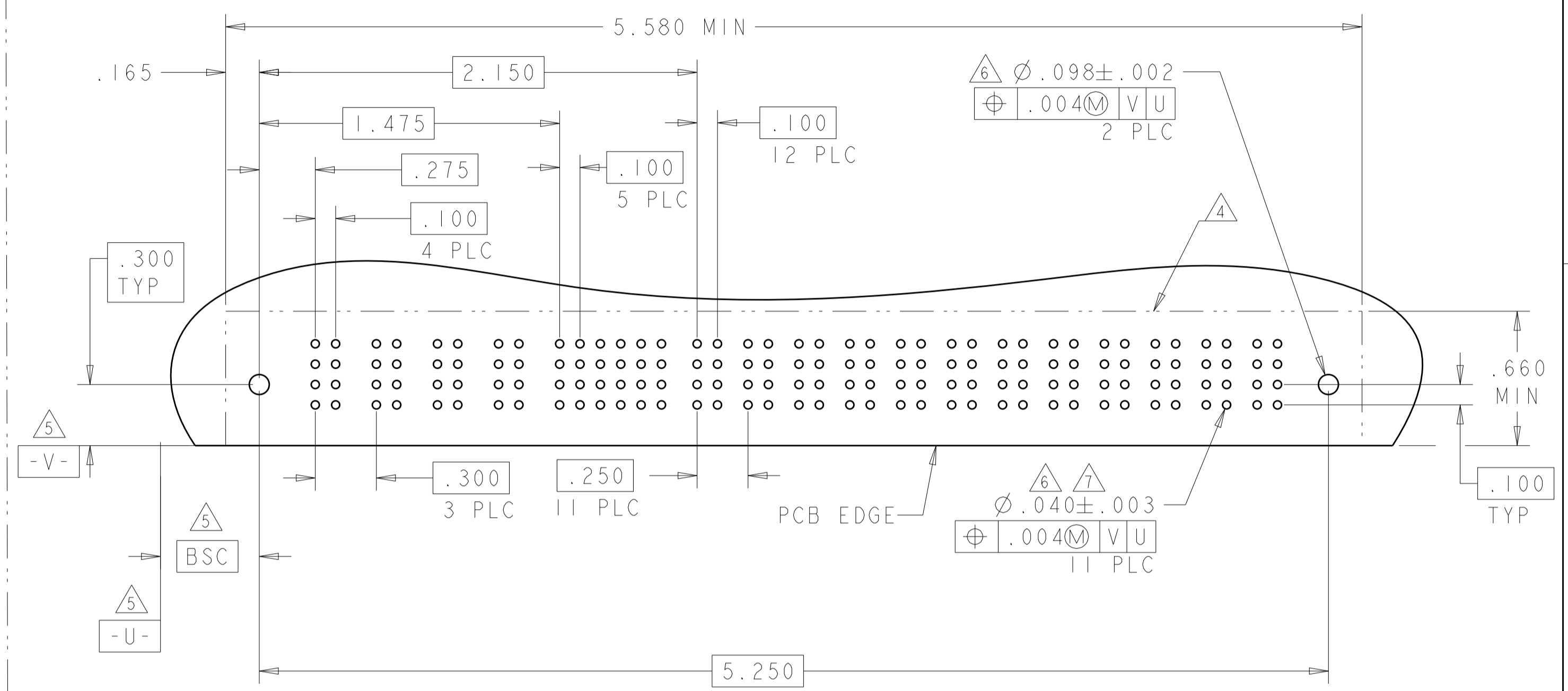
8P + 12S + 3ACP



LOC	DIST	REV	DESCRIPTION	DATE	DWN	APPV
ES	00		SEE SHEET 1			

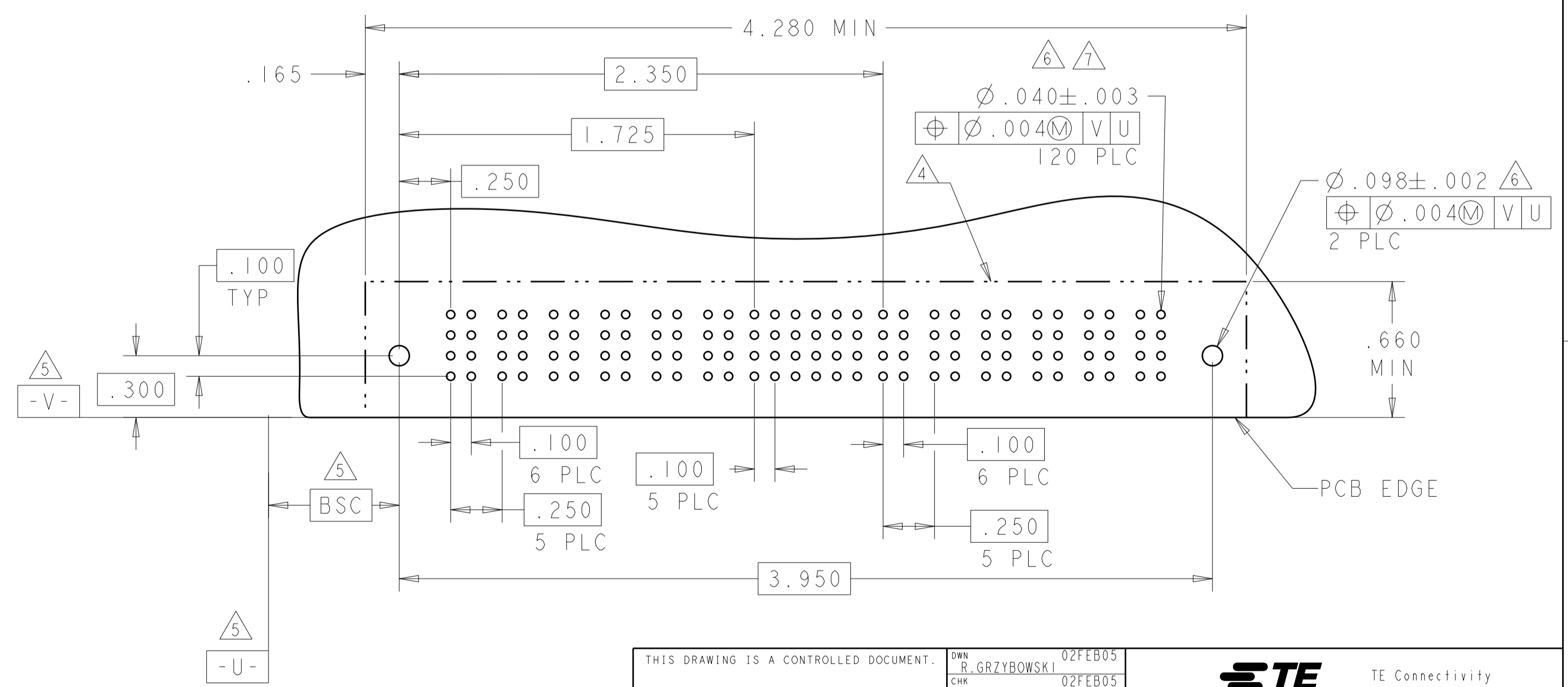
PART NUMBER	ROWS	AC POWER				SIGNAL						POWER													
		P1	P2	P3	P4	1	2	3	4	5	6	P5	P6	P7	P8	P9	P10	P11	P12	P13	P14	P15	P16		
2-6450120-6	D C B A	PM	PM	PM	PM	J	J	J	J	J	J	J	J	J	J	PM	PM	PM	PM	PM	PM	PM	PM	PM	PM
						K	K	K	K	K	K	K	K	K	K										
						N	N	N	N	N	N	N	N	N	N										
						S	S	S	S	S	S	S	S	S	S										
		HD																							

4ACP + 24S + 12P



PART NUMBER	ROWS	POWER						SIGNAL						POWER						
		P1	P2	P3	P4	P5	P6	1	2	3	4	5	6	P7	P8	P9	P10	P11	P12	
2-6450120-7	D C B A	PM	PM	PM	PM	PM	PM	J	J	J	J	J	J	J	PM	PM	PM	PM	PM	PM
								K	K	K	K	K	K	K						
								N	N	N	N	N	N	N						
								S	S	S	S	S	S	S						
		HD																		

6P + 24S + 6P

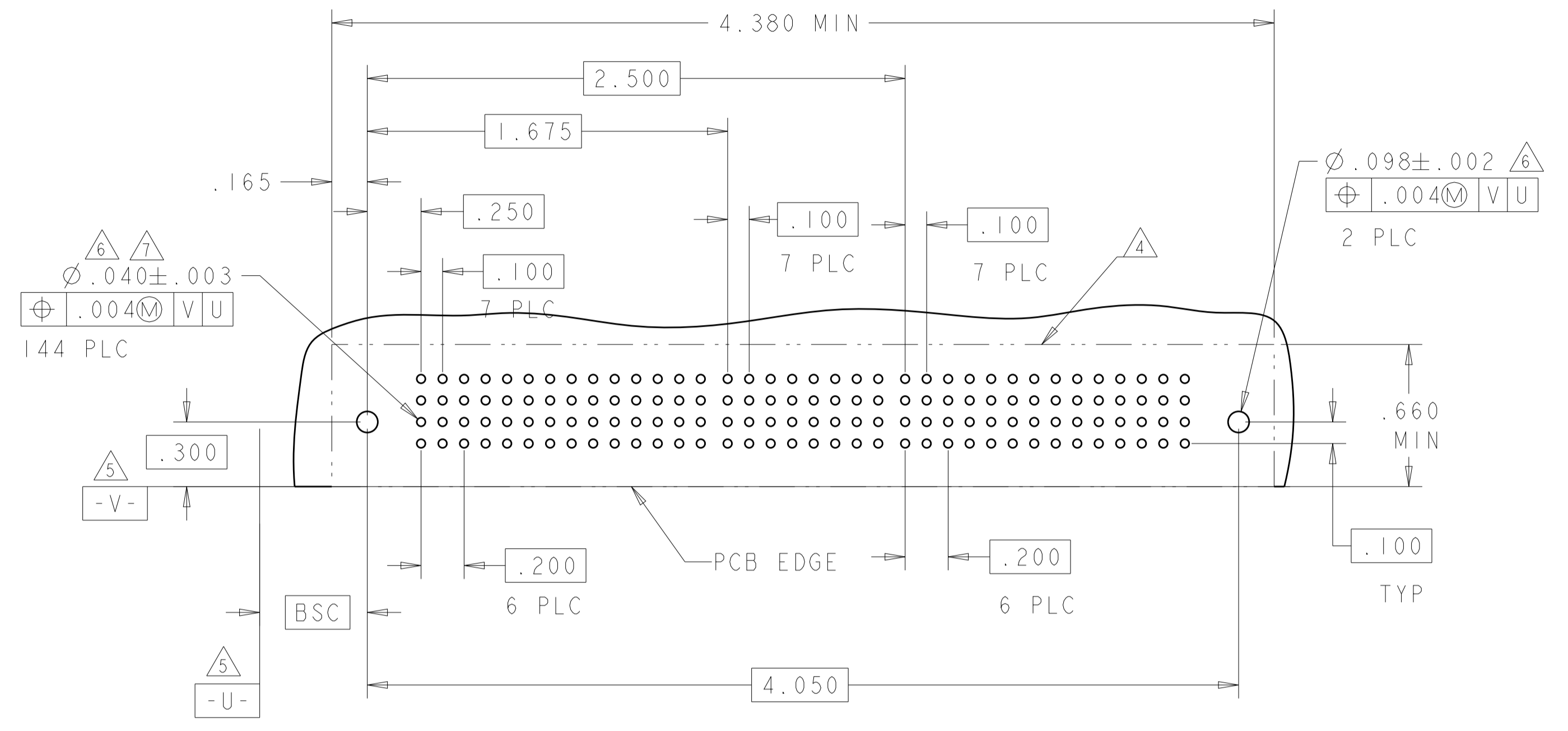


THIS DRAWING IS A CONTROLLED DOCUMENT.		DWN	P. GRZYBOWSKI	02FEB05
DIMENSIONS:		CHEK	M. PERCHERKE	02FEB05
INCHES:		APV/D	M. PERCHERKE	02FEB05
0 PLC ±.01		PRODUCT SPEC		
1 PLC ±.01		108-1973		
2 PLC ±.01		APPLICATION SPEC		
3 PLC ±.005		114-13038		
4 PLC ±.002		WEIGHT		
5 PLC ±.002		A100779C=6450120		
ANGLES ±.020		CUSTOMER DRAWING		
MATERIAL	FINISH	SCALE	4:1	SHEET 8 OF 24
				REV M2

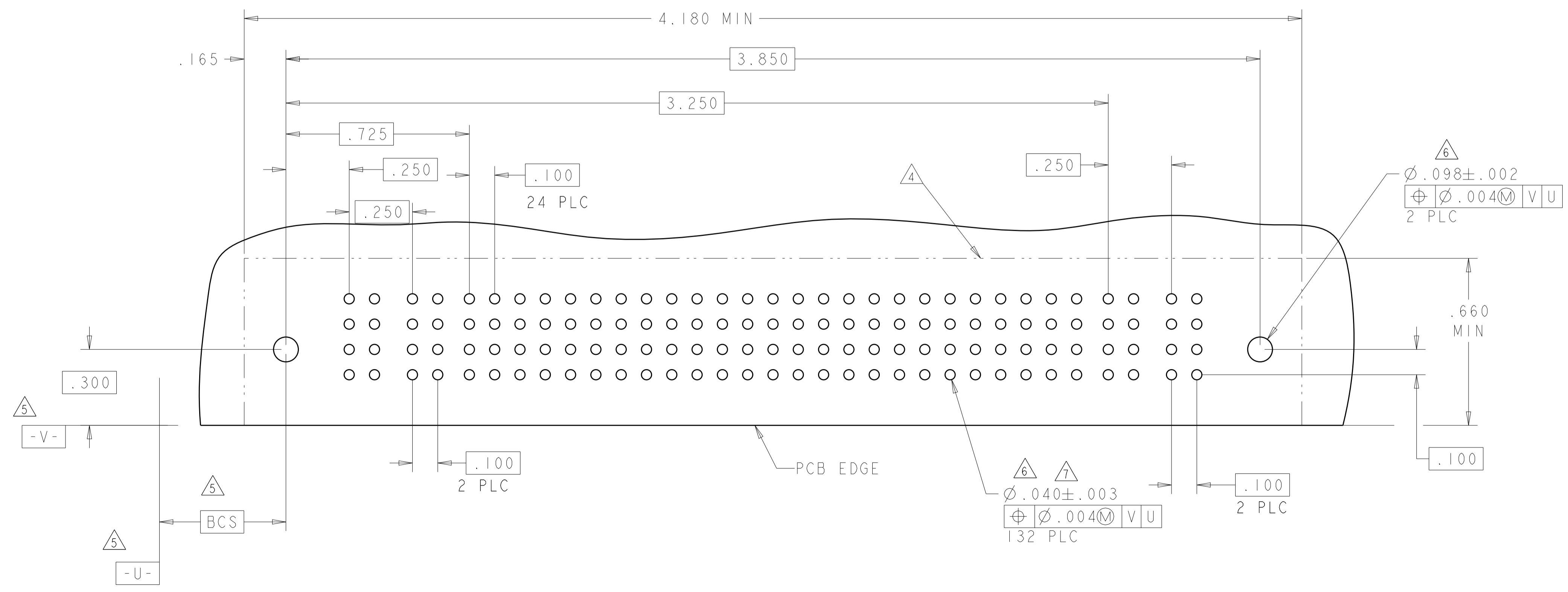


LOC	DIST	REVISIONS			
P	LTN	DESCRIPTION	DATE	DMN	APVD
ES	00	SEE SHEET 1	-	-	-

PART NUMBER	ROWS	POWER						SIGNAL								POWER						
		P1	P2	P3	P4	P5	P6	P7	1	2	3	4	5	6	7	8	P8	P9	P10	P11	P12	P13
3-6450120-0	D	PM	PM	PM	PM	PM	PM	J	J	J	J	J	J	J	J	PM	PM	PM	PM	PM	PM	
	C							K	K	K	K	K	K	K	K							K
	B							N	N	N	N	N	N	N	N							N
A	S	S	S	S	S	S	S	S	S	S	S	S	S	HD								
7HDP + 32S + 7HDP																						



PART NUMBER	ROWS	POWER		SIGNAL																							POWER				
		P1	P2	1	2	3	4	5	6	7	8	9	10	11	12	13	14	15	16	17	18	19	20	21	22	23	24	25	P3	P4	
3-6450120-6	D	PM	PM	J	J	J	J	J	J	J	J	J	J	J	J	J	J	J	J	J	J	J	J	J	J	J	J	J	J	PM	PM
	C			K	K	K	K	K	K	K	K	K	K	K	K	K	K	K	K	K	K	K	K	K	K	K	K	K	K		
	B			N	N	N	N	N	N	N	N	N	N	N	N	N	N	N	N	N	N	N	N	N	N	N	N	N	N		
A	S	S	S	S	S	S	S	S	S	S	S	S	S	S	S	S	S	S	S	S	S	S	S	S	S	S	S	S	HD		
2P + 100S + 2P																															



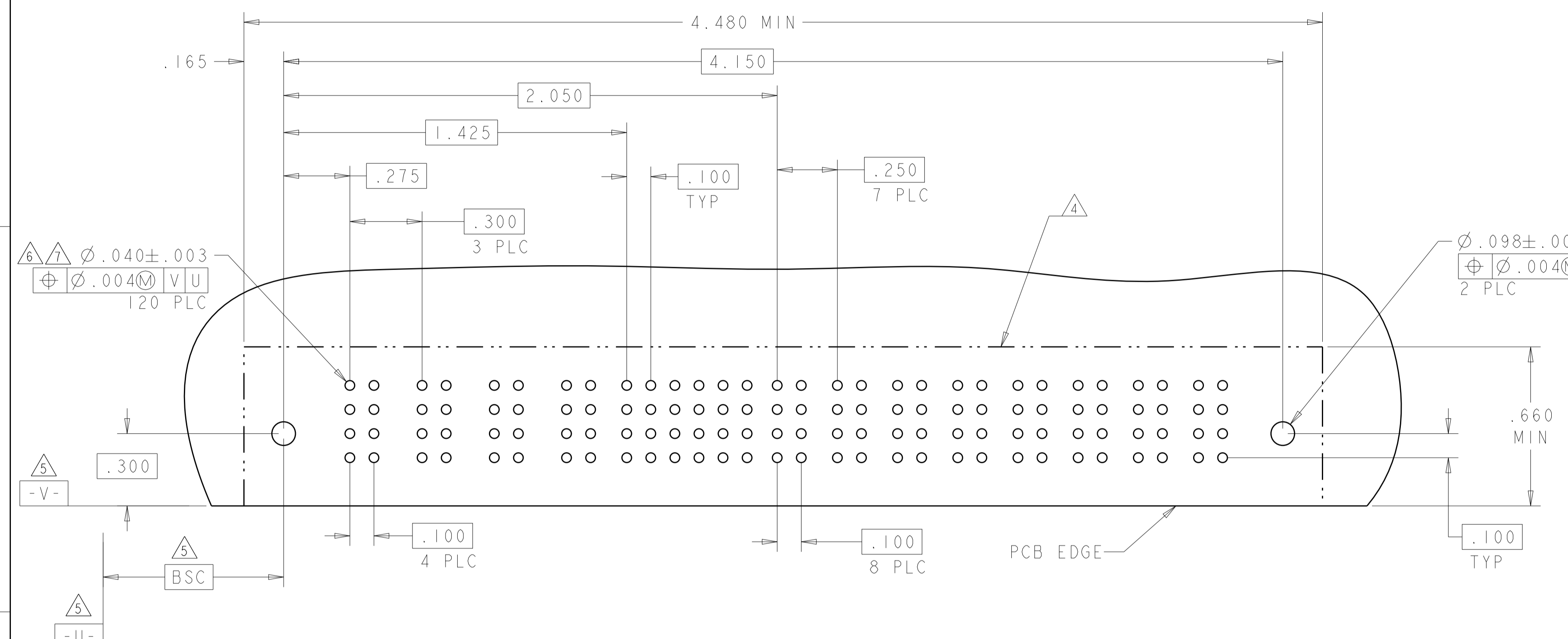
THIS DRAWING IS A CONTROLLED DOCUMENT.

DIMENSIONS: INCHES	TOLERANCES UNLESS OTHERWISE SPECIFIED:	DMN: R. GRZYBOWSKI 02FEB05	CHK: M. PERCHERKE 02FEB05	APVD: M. PERCHERKE 02FEB05	NAME: RIGHT ANGLE HEADER W/GUIDES ASSEMBLY MULTI-BEAM XL
0 PLC ±.01	1 PLC ±.01	2 PLC ±.01	3 PLC ±.01	4 PLC ±.005	PRODUCT SPEC: 108-1973
ANGLES ±.0020	FINISH: #2	APPLICATION SPEC: 114-13038	WEIGHT: -	SIZE: A1	CAGE CODE: 6450120
MATERIAL: -	FINISH: -	CUSTOMER DRAWING	SCALE: 4:1	SHEET: 9 of 24	REV: M2

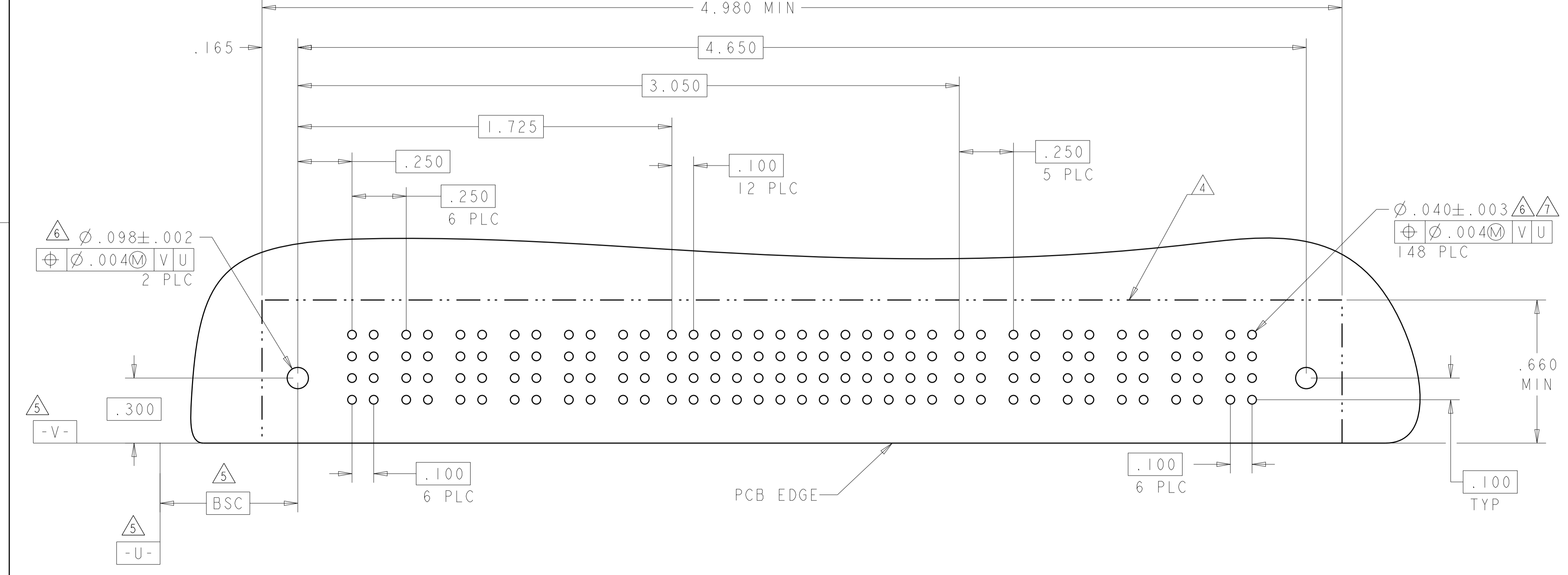
RESTRICTED TO

LOC	DIST	REVISIONS					
		P	LTN	DESCRIPTION	DATE	DWN	APVD
ES	00			SEE SHEET 1			

PART NUMBER	ROWS	POWER				SIGNAL						POWER								
		P1	P2	P3	P4	1	2	3	4	5	6	P5	P6	P7	P8	P9	P10	P11	P12	
4-6450120-0	D C B A		PM	PM	PM	PM	J	J	J	J	J	J	PM	PM	PM	PM	PM	PM	PM	PM
			PM	PM	PM	PM	K	K	K	K	K	K	PM	PM	PM	PM	PM	PM	PM	
			PM	PM	PM	PM	N	N	N	N	N	N	PM	PM	PM	PM	PM	PM	PM	
			PM	PM	PM	PM	S	S	S	S	S	S	PM	PM	PM	PM	PM	PM	PM	
4ACP + 24S + 8P																				



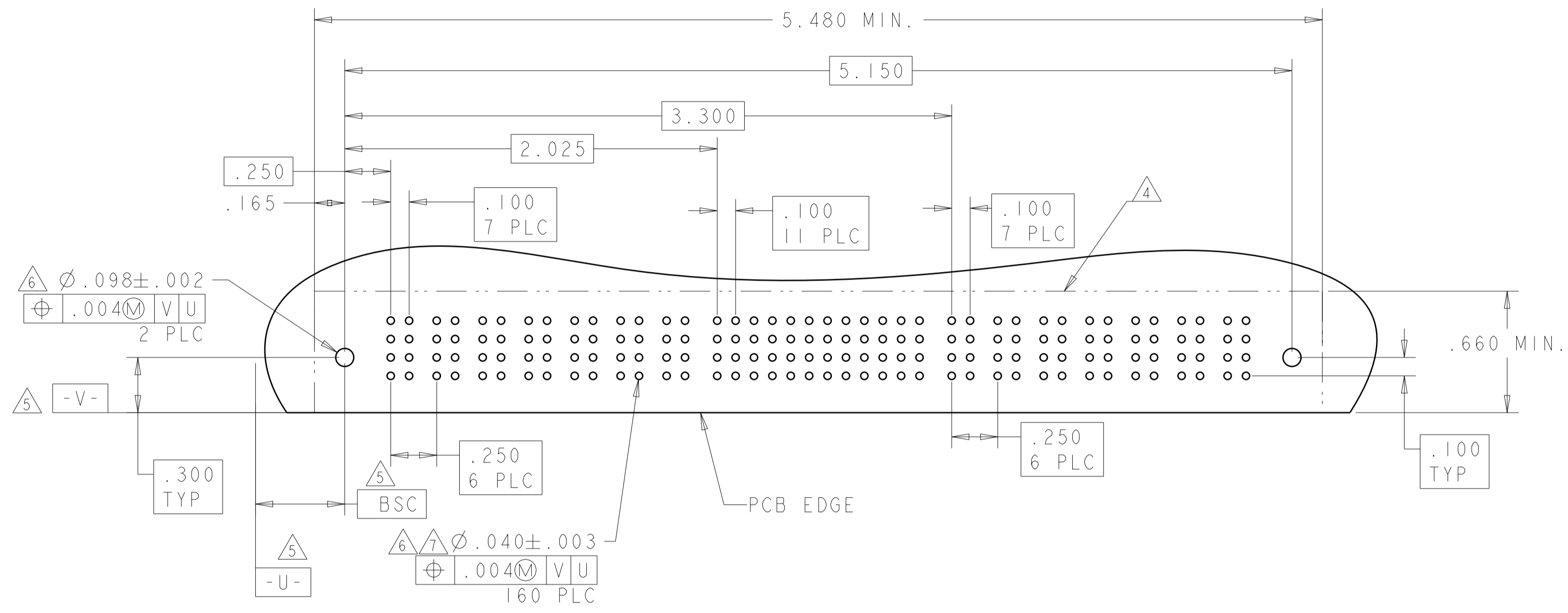
PART NUMBER	ROWS	POWER						SIGNAL													POWER							
		P1	P2	P3	P4	P5	P6	1	2	3	4	5	6	7	8	9	10	11	12	13	P7	P8	P9	P10	P11	P12		
3-6450120-5	D C B A		PM	PM	PM	PM	PM	J	J	J	J	J	J	J	J	J	J	J	J	J	J	PM	PM	PM	PM	PM	PM	
			PM	PM	PM	PM	PM	K	K	K	K	K	K	K	K	K	K	K	K	K	K	PM	PM	PM	PM	PM	PM	
			PM	PM	PM	PM	PM	N	N	N	N	N	N	N	N	N	N	N	N	N	N	N	PM	PM	PM	PM	PM	PM
			PM	PM	PM	PM	PM	S	S	S	S	S	S	S	S	S	S	S	S	S	S	S	PM	PM	PM	PM	PM	PM
6P + 52S + 6P																												



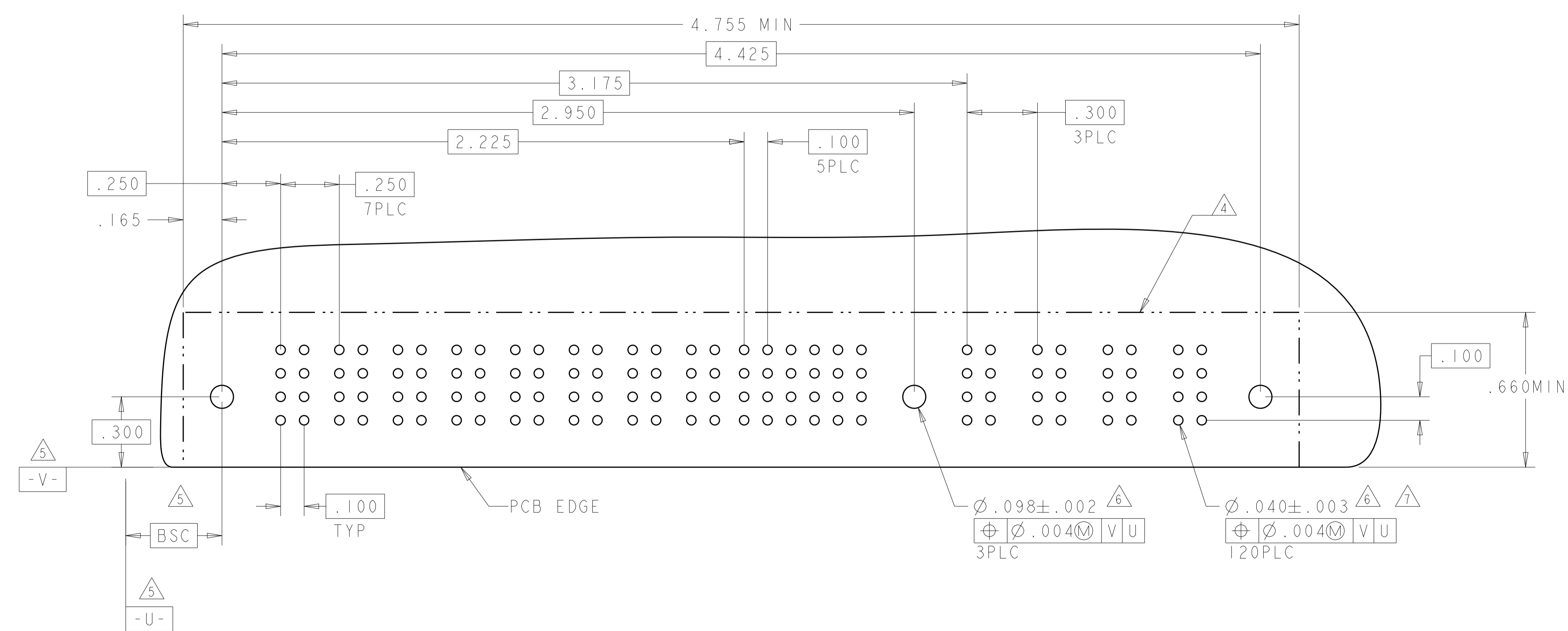
THIS DRAWING IS A CONTROLLED DOCUMENT.		DWN: R. GRZYBOWSKI 02FEB05 CHK: M. PERCHERKE 02FEB05	 TE Connectivity
DIMENSIONS: INCHES	TOLERANCES UNLESS OTHERWISE SPECIFIED:	APVD: M. PERCHERKE 02FEB05	
		PRODUCT SPEC: 108-1973	NAME: RIGHT ANGLE HEADER W/GUIDES ASSEMBLY MULTI-BEAM XL
MATERIAL:		APPLICATION SPEC: 114-13038	SIZE: A1
FINISH:		WEIGHT:	CAGE CODE: 6450120
		CUSTOMER DRAWING	SCALE: 4:1 SHEET 10 OF 24 REV: M2

LOC	DIST	REVISIONS			
P	LTN	DESCRIPTION	DATE	DMN	APVD
ES	00	SEE SHEET 1			

PART NUMBER	ROWS	POWER							SIGNAL												POWER																		
		P1	P2	P3	P4	P5	P6	P7	1	2	3	4	5	6	7	8	9	10	11	12	P8	P9	P10	P11	P12	P13	P14												
3-6450120-4	D C B A	PM	PM	PM	PM	PM	PM	J	J	J	J	J	J	J	J	J	J	J	J	J	J	J	J	J	J	J	J	PM	PM	PM	PM	PM	PM						
								K	K	K	K	K	K	K	K	K	K	K	K	K	K	K	K	K	K	K	K							K	K	K	K		
								N	N	N	N	N	N	N	N	N	N	N	N	N	N	N	N	N	N	N	N							N	N	N	N	N	N
								S	S	S	S	S	S	S	S	S	S	S	S	S	S	S	S	S	S	S	S							S	S	S	S	S	S
7P + 48S + 7P		HD		HD																																			



PART NUMBER	ROWS	POWER								SIGNAL						POWER																						
		P1	P2	P3	P4	P5	P6	P7	P8	1	2	3	4	5	6	P9	P10	P11	P12																			
4-6450120-2	D C B A	PM	PM	PM	PM	PM	PM	PM	PM	J	J	J	J	J	J	J	J	J	J	J	J	J	J	PM	PM	PM	PM											
										K	K	K	K	K	K	K	K	K	K	K	K	K	K					K	K	K	K	K	K	K	K	K	K	
										N	N	N	N	N	N	N	N	N	N	N	N	N	N					N	N	N	N	N	N	N	N	N	N	N
										S	S	S	S	S	S	S	S	S	S	S	S	S	S					S	S	S	S	S	S	S	S	S	S	S
8P + 24S + 1M + 4ACP		HD		HD																																		



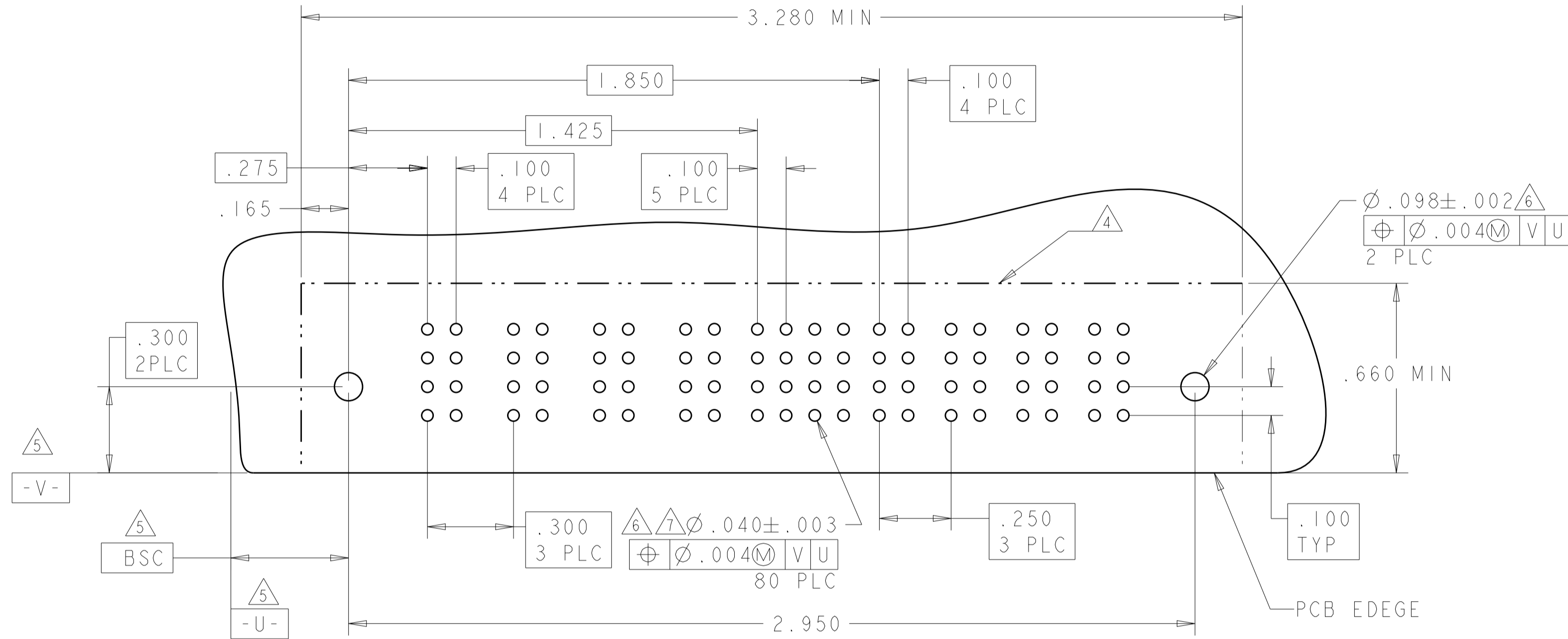
THIS DRAWING IS A CONTROLLED DOCUMENT.

DIMENSIONS: INCHES	TOLERANCES UNLESS OTHERWISE SPECIFIED:	DMN: R. GRZYBOWSKI 02FEB05	CHK: M. PERCHERKE 02FEB05	APVD: M. PERCHERKE 02FEB05	NAME: RIGHT ANGLE HEADER W/GUIDES ASSEMBLY MULTI-BEAM XL
0 PLC ±. 1 PLC ±.01 2 PLC ±.01 3 PLC ±.005 4 PLC ±.002 ANGLES ±.2°		PRODUCT SPEC: 108-1973 APPLICATION SPEC: 114-13038 WEIGHT:		SIZE: A1 CAGE CODE: 6450120 SCALE: 4:1 SHEET: 11 OF 24 REV: M2	
MATERIAL:	FINISH:	CUSTOMER DRAWING		RESTRICTED TO:	

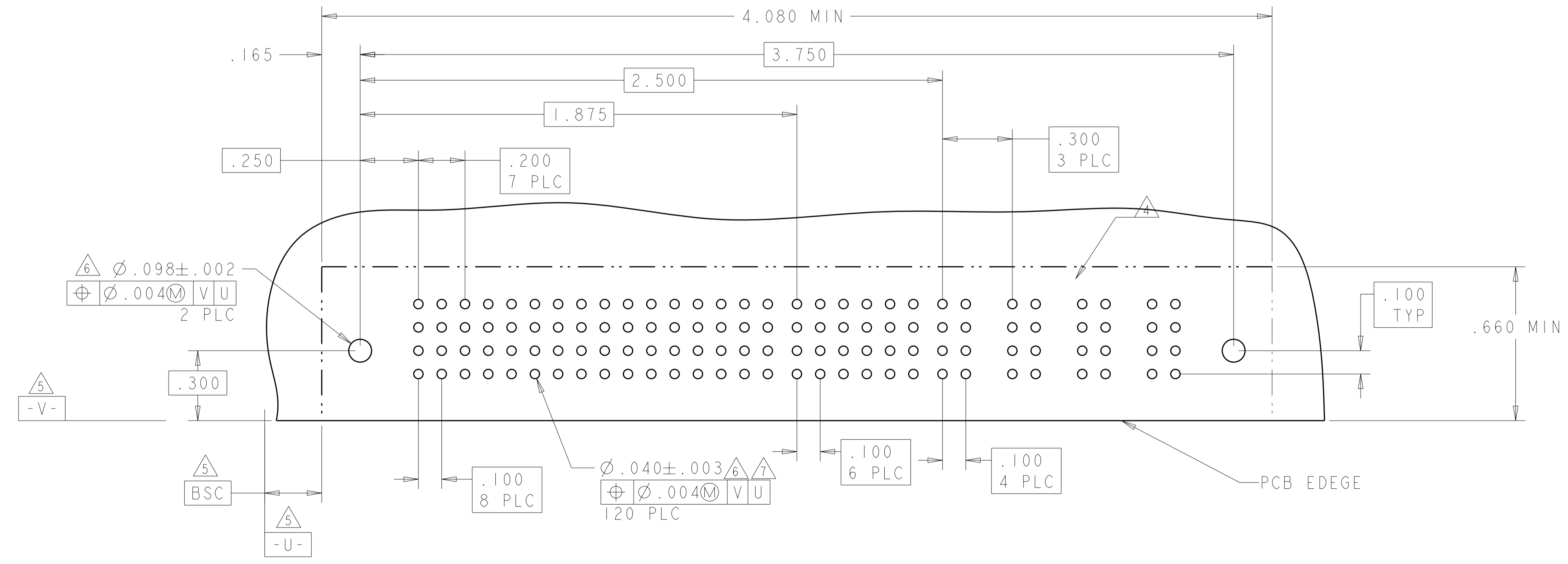
STE TE Connectivity

LOC	DIST	REVISIONS			
P	LTN	DESCRIPTION	DATE	DWN	APVD
-	-	SEE SHEET 1	-	-	-

PART NUMBER	ROWS	POWER				SIGNAL				POWER			
		P1	P2	P3	P4	1	2	3	4	P5	P6	P7	P8
4-6450120-3	D C B A	PM	PM	PM	PM	J	J	J	J	PM	PM	PM	PM
						K	K	K	K				
						N	N	N	N				
						S	S	S	S				
4ACP + 16S + 4P													



PART NUMBER	ROWS	POWER								SIGNAL						POWER			
		P1	P2	P3	P4	P5	P6	P7	P8	1	2	3	4	5	6	P9	P10	P11	P12
4-6450120-4	D C B A	PM	PM	PM	PM	PM	PM	PM	PM	J	J	J	J	J	J	PM	PM	PM	PM
										K	K	K	K	K	K				
										N	N	N	N	N	N				
										S	S	S	S	S	S				
8P + 24S + 4ACP																			



THIS DRAWING IS A CONTROLLED DOCUMENT. DWN: R. GRZYBOWSKI 02FEB05  
 CHK: M. PERCHERKE 02FEB05  
 APVD: M. PERCHERKE 02FEB05

**STE** TE Connectivity

NAME: RIGHT ANGLE HEADER W/GUIDES ASSEMBLY MULTI-BEAM XL

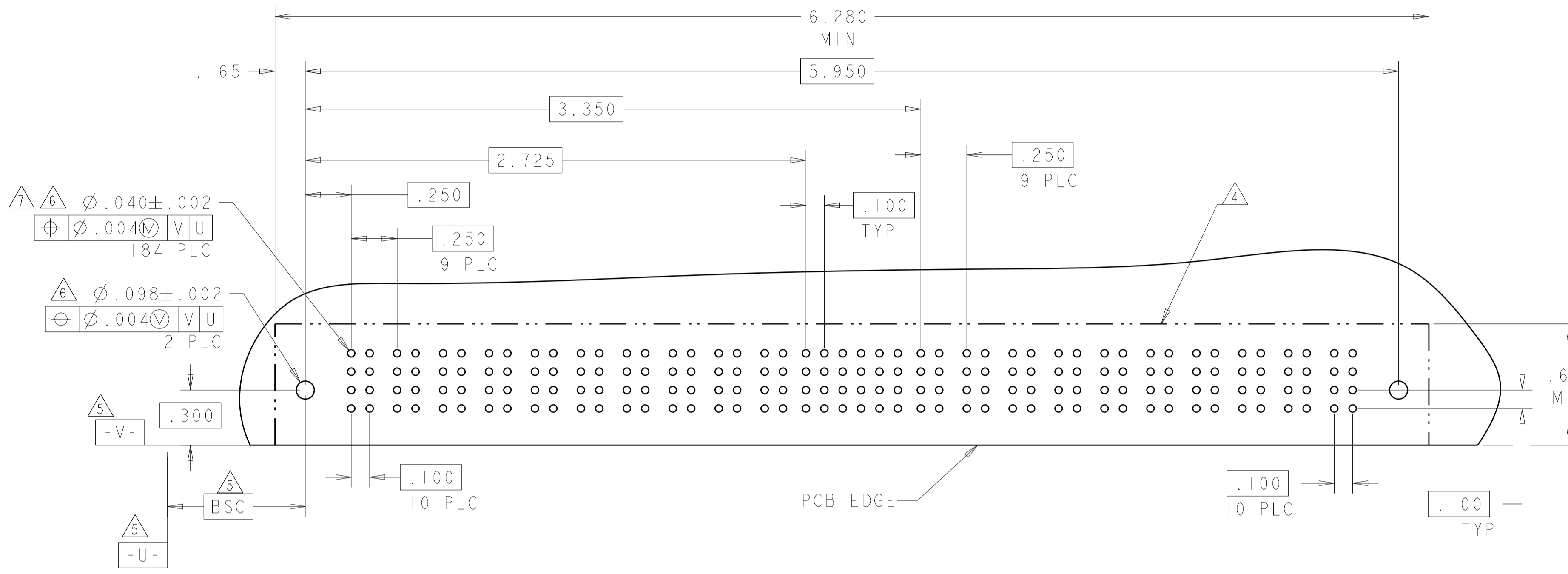
PRODUCT SPEC: 108-1973  
 APPLICATION SPEC: 114-13038

SIZE: A1 00779 C=6450120  
 CAGE CODE: 114-13038  
 WEIGHT: -

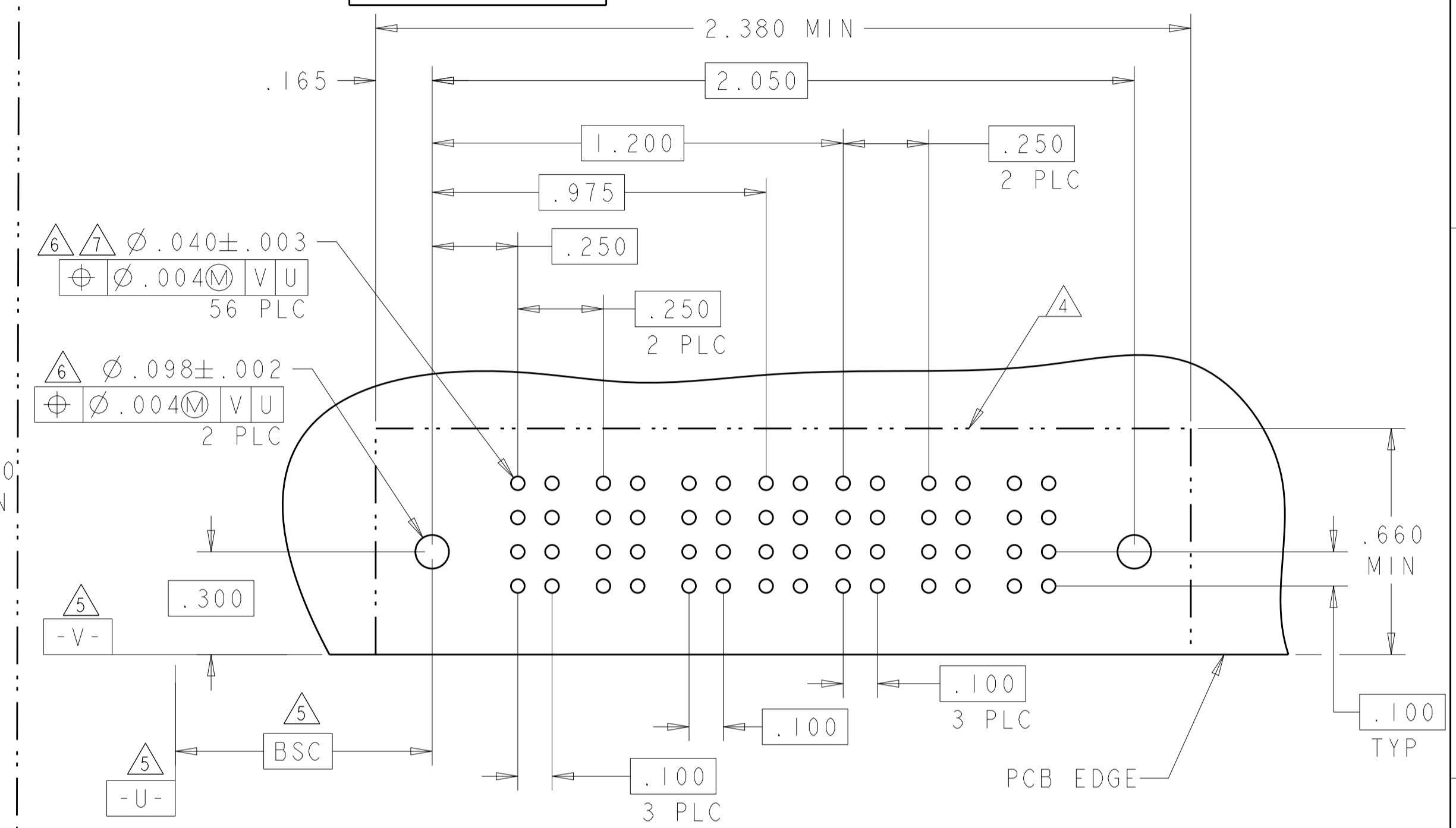
CUSTOMER DRAWING SCALE: 4:1 SHEET 12 OF 24 REV: M2

LOC	DIST	REVISIONS					
ES	00	P	LTN	DESCRIPTION	DATE	OWN	APVD
		-	-	SEE SHEET 1	-	-	-

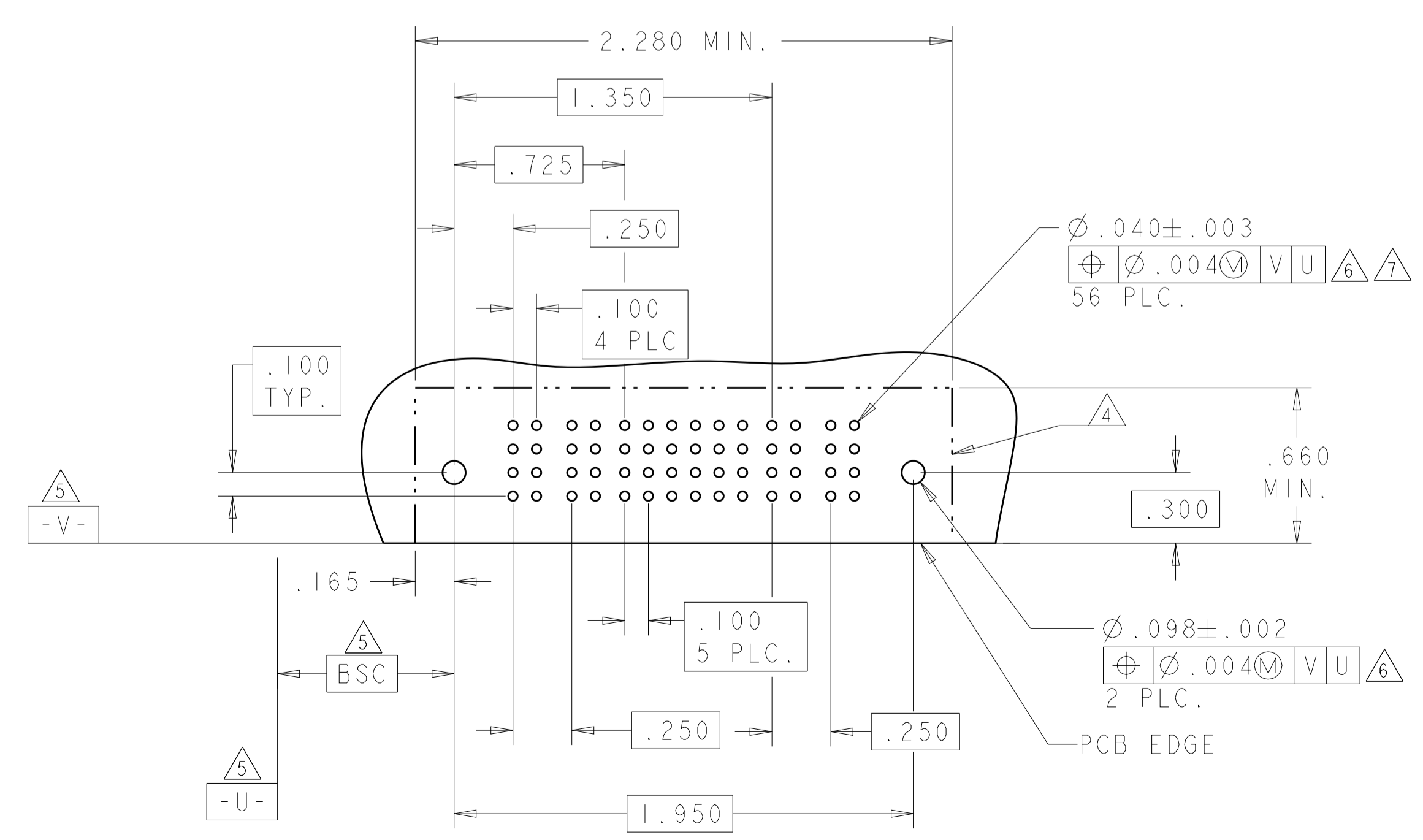
PART NUMBER	ROWS	POWER									SIGNAL						POWER										
		P1	P2	P3	P4	P5	P6	P7	P8	P9	P10	1	2	3	4	5	6	P11	P12	P13	P14	P15	P16	P17	P18	P19	P20
4-6450120-5	D C B A	PM	PM	PM	PM	PM	PM	PM	PM	PM	PM	J	J	J	J	J	J	PM	PM	PM	PM	PM	PM	PM	PM	PM	PM
												K	K	K	K	K	K										
												N	N	N	N	N	N										
										S	S	S	S	S	S												
10P + 24S + 10P																											



PART NUMBER	ROWS	POWER			SIGNAL		POWER			
		P1	P2	P3	1	2	P4	P5	P6	
4-6450120-6	D C B A	PM	PM	PM	J	J	PM	PM	PM	
					K	K				
					N	N				
			S	S						
3P + 8S + 3P										



PART NUMBER	ROWS	POWER		SIGNAL						POWER		
		P1	P2	1	2	3	4	5	6	P3	P4	
4-6450120-7	D C B A	PM	PM	J	J	J	J	J	J	PM	PM	
				K	K	F	K	K	K			
				N	N	G	N	N	N			
		S	S	S	S	S	S	S				
2P + 24S + 2P												



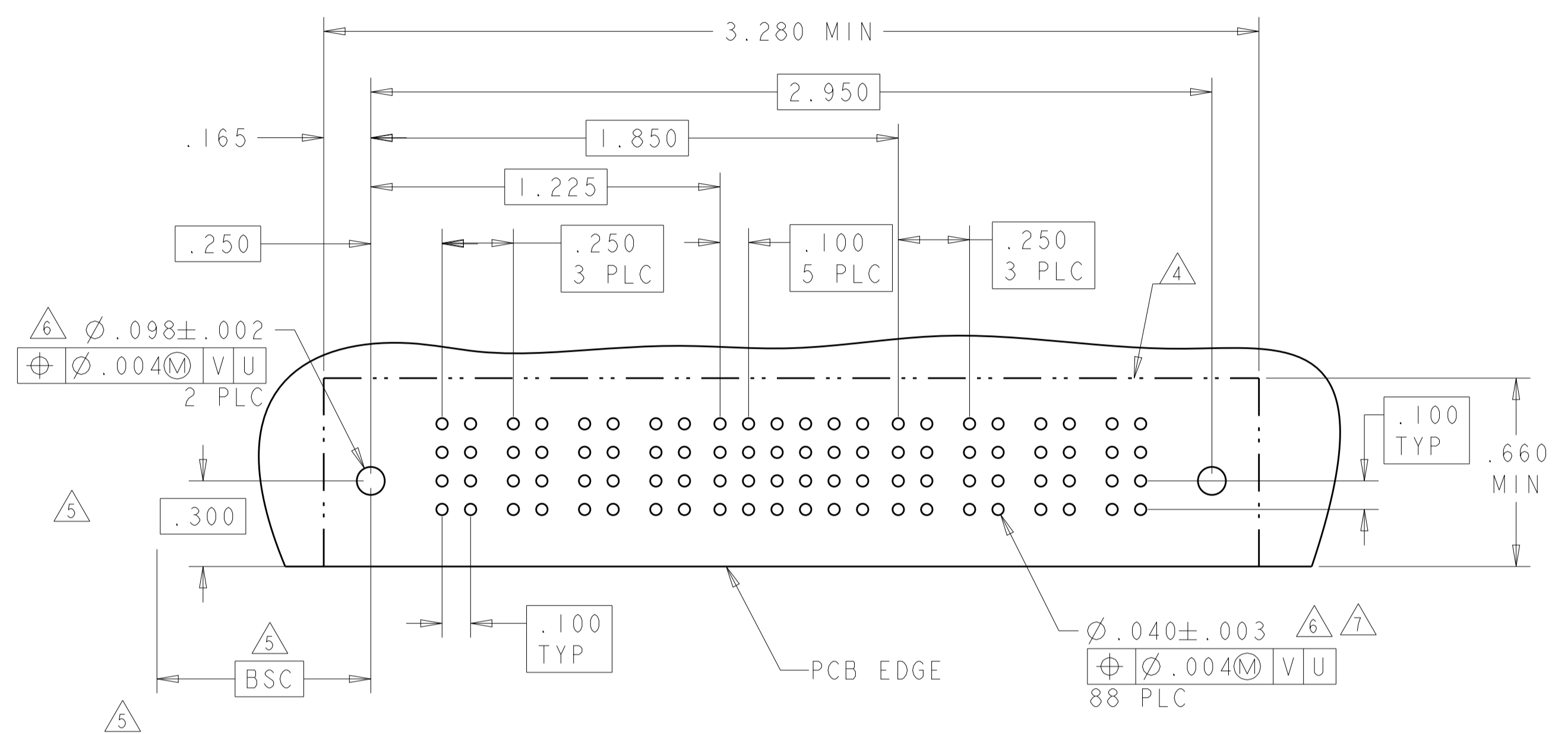
THIS DRAWING IS A CONTROLLED DOCUMENT.

DIMENSIONS:	TOLERANCES UNLESS OTHERWISE SPECIFIED:	OWN: R. GRZYBOWSKI 02FEB05	CHK: M. PERCHERKE 02FEB05	APVD: M. PERCHERKE 02FEB05	NAME: RIGHT ANGLE HEADER W/GUIDES ASSEMBLY MULTI-BEAM XL
INCHES	0 PLC ±.01 1 PLC ±.01 2 PLC ±.01 3 PLC ±.01 4 PLC ±.005 ANGLES ±.002	PRODUCT SPEC: 108-1973	APPLICATION SPEC: 114-13038	WEIGHT: -	RESTRICTED TO: -
MATERIAL: -	FINISH: -	SIZE: A1	CAGE CODE: 100779	DRAWING NO: C=6450120	SHEET 13 OF 24
CUSTOMER DRAWING		SCALE: 4:1		REV: M2	

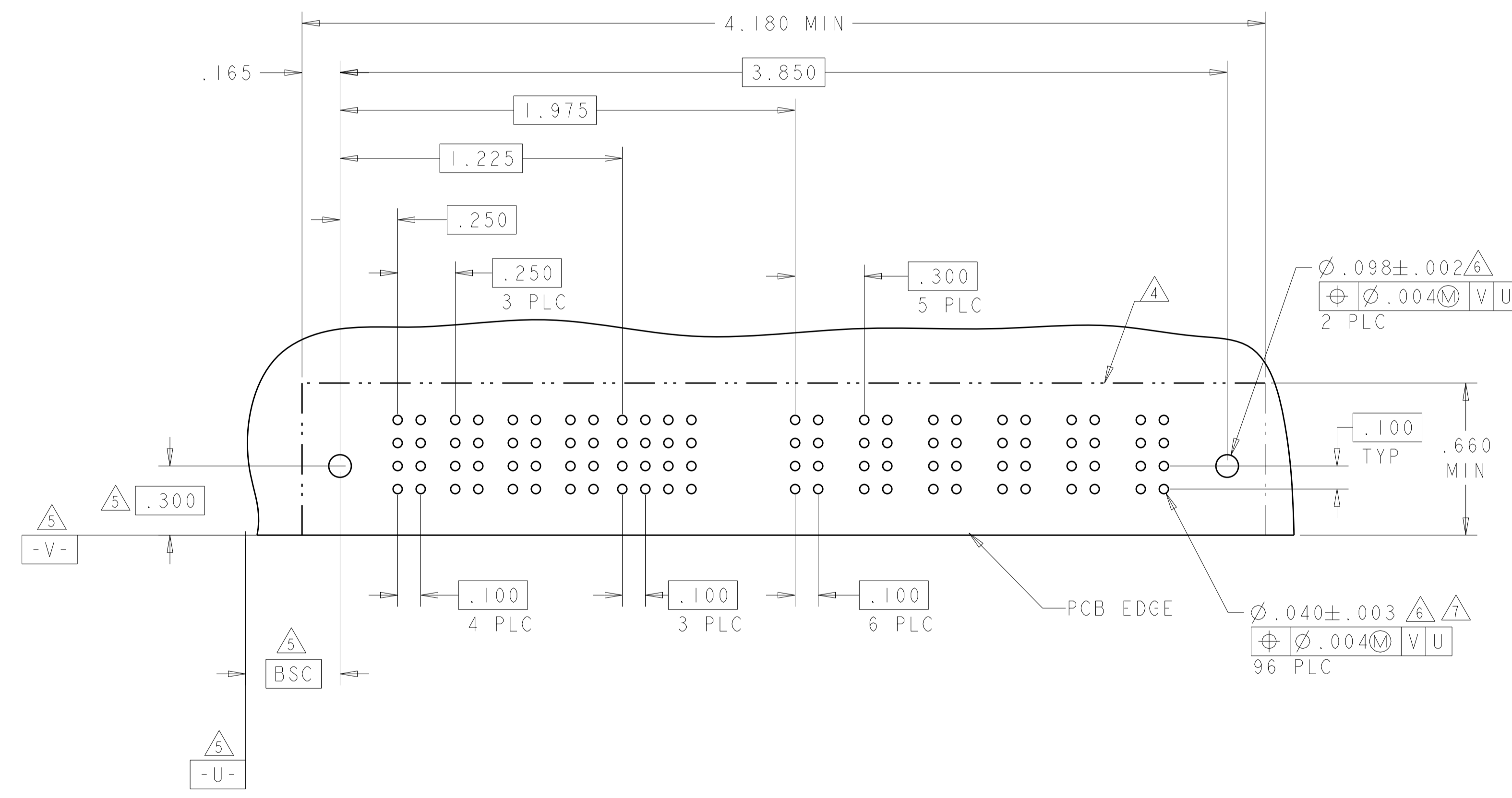
STE TE Connectivity

LOC	DIST	REVISIONS			
P	LTN	DESCRIPTION	DATE	DMN	APVD
ES	00	SEE SHEET 1	-	-	-

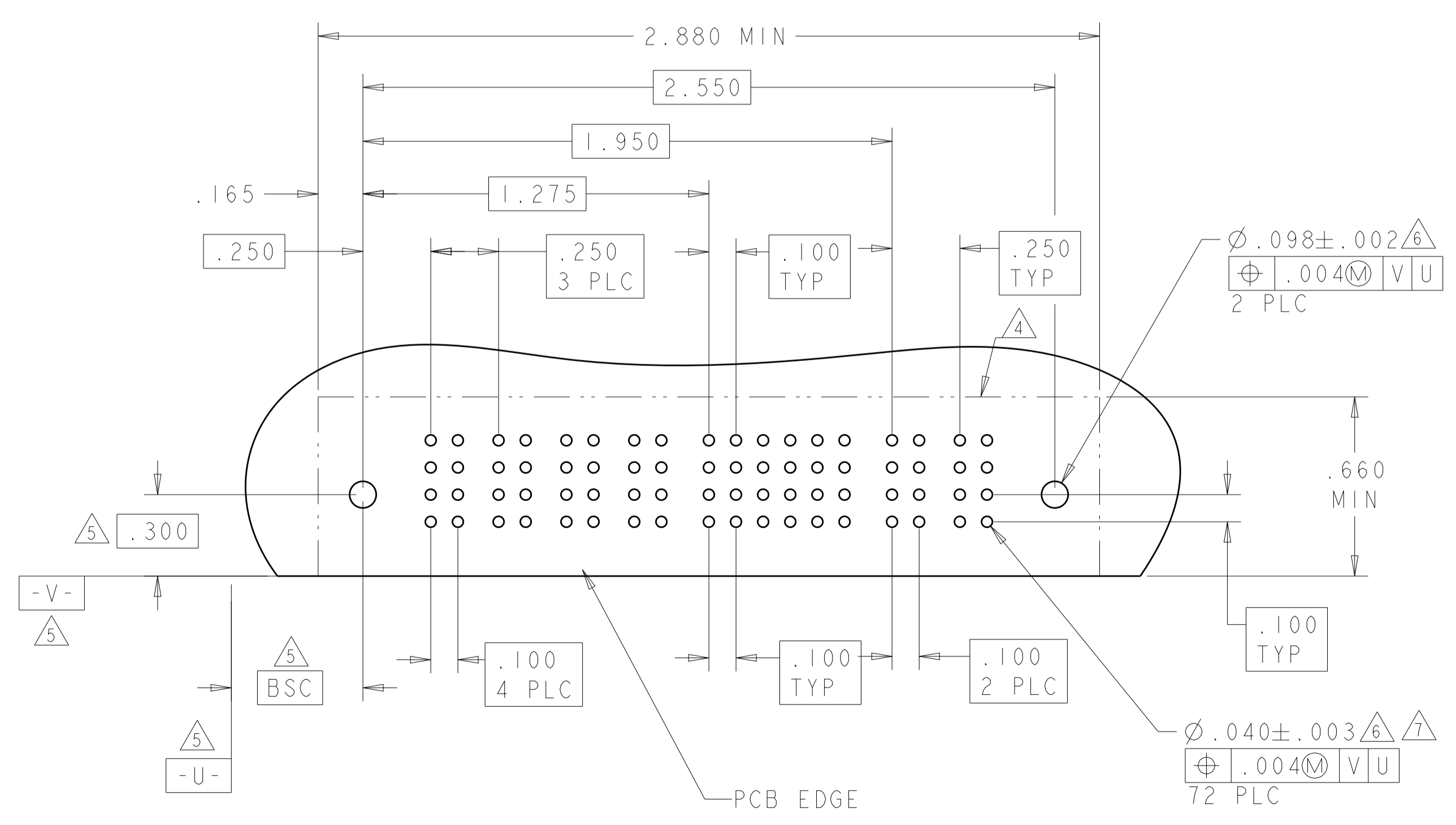
PART NUMBER	ROWS	POWER				SIGNAL						POWER			
		P1	P2	P3	P4	1	2	3	4	5	6	P5	P6	P7	P8
4-6450120-8	D	PM	PM	PM	PM	J	J	J	J	J	J	PM	PM	PM	PM
	C					K	K	K	K	K					
	B					N	N	N	N	N					
	A					S	S	S	S	S					
4P + 24S + 4P															



PART NUMBER	ROWS	POWER				SIGNAL				POWER						
		P1	P2	P3	P4	1	2	3	4	P5	P6	P7	P8	P9	P10	P11
5-6450120-0	D	PM	PM	PM	PM	J	J	J	J	PM	PM	PM	PM	PM	PM	
	C					K	K	K	K							
	B					N	N	N	N							
	A					S	S	S	S							
4P + 16S + 7ACP																



PART NUMBER	ROWS	POWER				SIGNAL						POWER	
		P1	P2	P3	P4	1	2	3	4	5	6	P5	P6
2-6450120-5	D	PM	PM	PM	PM	J	J	J	J	J	J	PM	PM
	C					K	K	K	K	K			
	B					N	N	N	N	N			
	A					S	S	S	S	S			
4P + 24S + 2P													



THIS DRAWING IS A CONTROLLED DOCUMENT.

DMN: R. GRZYBOWSKI 02FEB05	CHK: M. PERCHERKE 02FEB05	APVD: M. PERCHERKE 02FEB05	NAME: RIGHT ANGLE HEADER W/GUIDES ASSEMBLY MULTI-BEAM XL
DIMENSIONS: INCHES		TOLERANCES UNLESS OTHERWISE SPECIFIED:	
0 PLC ±.01	1 PLC ±.01	2 PLC ±.01	3 PLC ±.01
4 PLC ±.005	5 PLC ±.005	6 PLC ±.005	7 PLC ±.005
8 PLC ±.002	9 PLC ±.002	10 PLC ±.002	11 PLC ±.002
MATERIAL: -		FINISH: -	

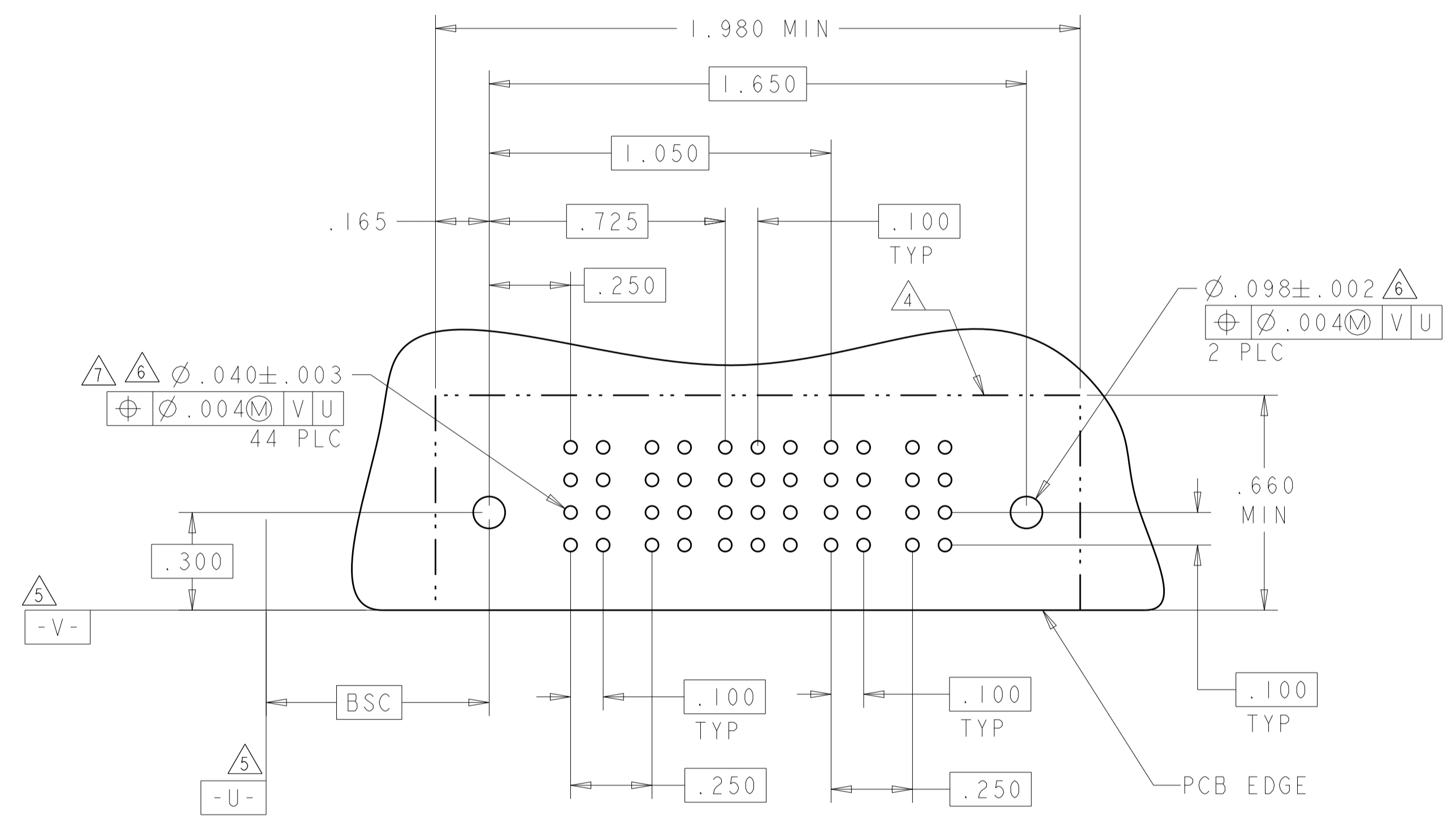
STE TE Connectivity

SIZE: 108-1973 APPLICATION SPEC: 114-13038 WEIGHT: -

SCALE: 4:1 SHEET 14 OF 24 REV: M2

LOC		DIST		REVISIONS			
ES	00	P	LTN	DESCRIPTION	DATE	DMN	APVD
		-		SEE SHEET 1			

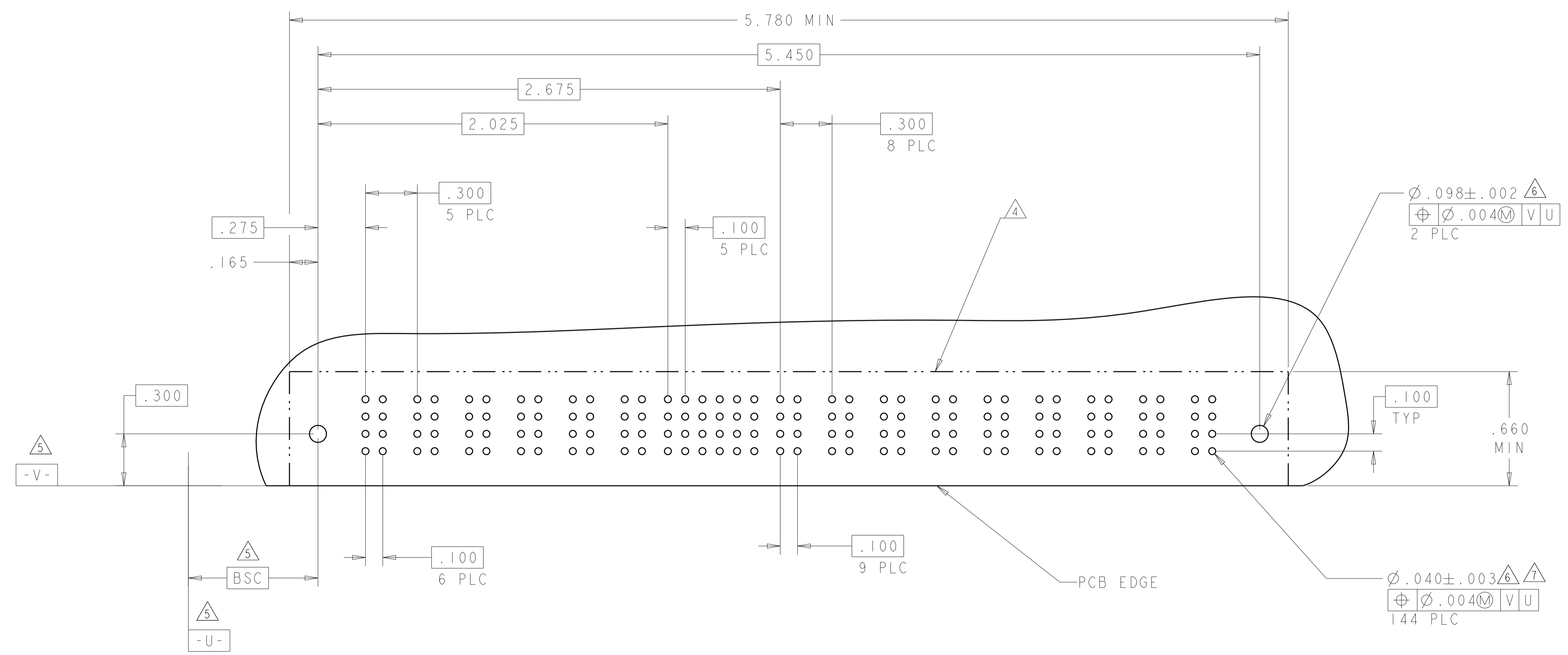
PART NUMBER	ROWS	POWER		SIGNAL			POWER	
		P1	P2	1	2	3	P3	P4
4-6450120-9	D			J	J	J		
	C	PM	PM	K	K	K	PM	PM
	B			N	N	N		
	A			S	S	S		
2P + 12S + 2P								



THIS DRAWING IS A CONTROLLED DOCUMENT.		DMN R. GRZYBOWSKI 02FEB05	TE Connectivity	
DIMENSIONS: INCHES		CHK M. PERCHERKE 02FEB05		
TOLERANCES UNLESS OTHERWISE SPECIFIED:		APVD M. PERCHERKE 02FEB05	NAME RIGHT ANGLE HEADER W/GUIDES ASSEMBLY MULTI-BEAM XL	
0 PLC ±. 1 PLC ±. 2 PLC ±.01 3 PLC ±.005 4 PLC ±.0020 ANGLES ±.2°		PRODUCT SPEC 108-1973	SIZE A100779C=6450120	
MATERIAL		APPLICATION SPEC 114-13038	RESTRICTED TO	
FINISH		WEIGHT	SCALE 4:1 SHEET 15 OF 24 REV M2	
		CUSTOMER DRAWING		

LOC		DIST		REVISIONS			
P	LTN	DESCRIPTION	DATE	DMN	APVD		
-	-	SEE SHEET 1	-	-	-		

PART NUMBER	ROWS	POWER						SIGNAL						POWER										
		P1	P2	P3	P4	P5	P6	1	2	3	4	5	6	P7	P8	P9	P10	P11	P12	P13	P14	P15		
5-6450120-2	D C B A	[HD]	[ ]	[PM]	[PM]	[PM]	[ ]	[PM]	J	J	[ ]	J	E	[ ]	[ ]	[PM]	[PM]	[PM]	[ ]	[PM]	[PM]	[PM]	[ ]	[HD]
			[ ]	[ ]	[ ]	[ ]	[ ]	[ ]	K	K	[ ]	K	K	[ ]	[ ]	[ ]	[ ]	[ ]	[ ]	[ ]	[ ]	[ ]		
			[ ]	[ ]	[ ]	[ ]	[ ]	[ ]	N	N	[ ]	N	N	[ ]	[ ]	[ ]	[ ]	[ ]	[ ]	[ ]	[ ]	[ ]		
			[ ]	[ ]	[ ]	[ ]	[ ]	[ ]	S	S	[ ]	S	H	[ ]	[ ]	[ ]	[ ]	[ ]	[ ]	[ ]	[ ]	[ ]		
6P + 24S + 9P																								



THIS DRAWING IS A CONTROLLED DOCUMENT.

DIMENSIONS: INCHES	TOLERANCES UNLESS OTHERWISE SPECIFIED: 0 PLC ±. 1 PLC ±.01 2 PLC ±.01 3 PLC ±.005 4 PLC ±.0020 ANGLES ±.02°	DMN: R. GRZYBOWSKI 02FEB05 CHK: M. PERCHERKE 02FEB05 APVD: M. PERCHERKE 02FEB05	NAME: RIGHT ANGLE HEADER W/GUIDES ASSEMBLY MULTI-BEAM XL
MATERIAL: -	FINISH: -	PRODUCT SPEC: 108-1973 APPLICATION SPEC: 114-13038 WEIGHT: -	SIZE: A1 CAGE CODE: 6450120 SCALE: 4:1 SHEET: 16 OF 24 REV: M2

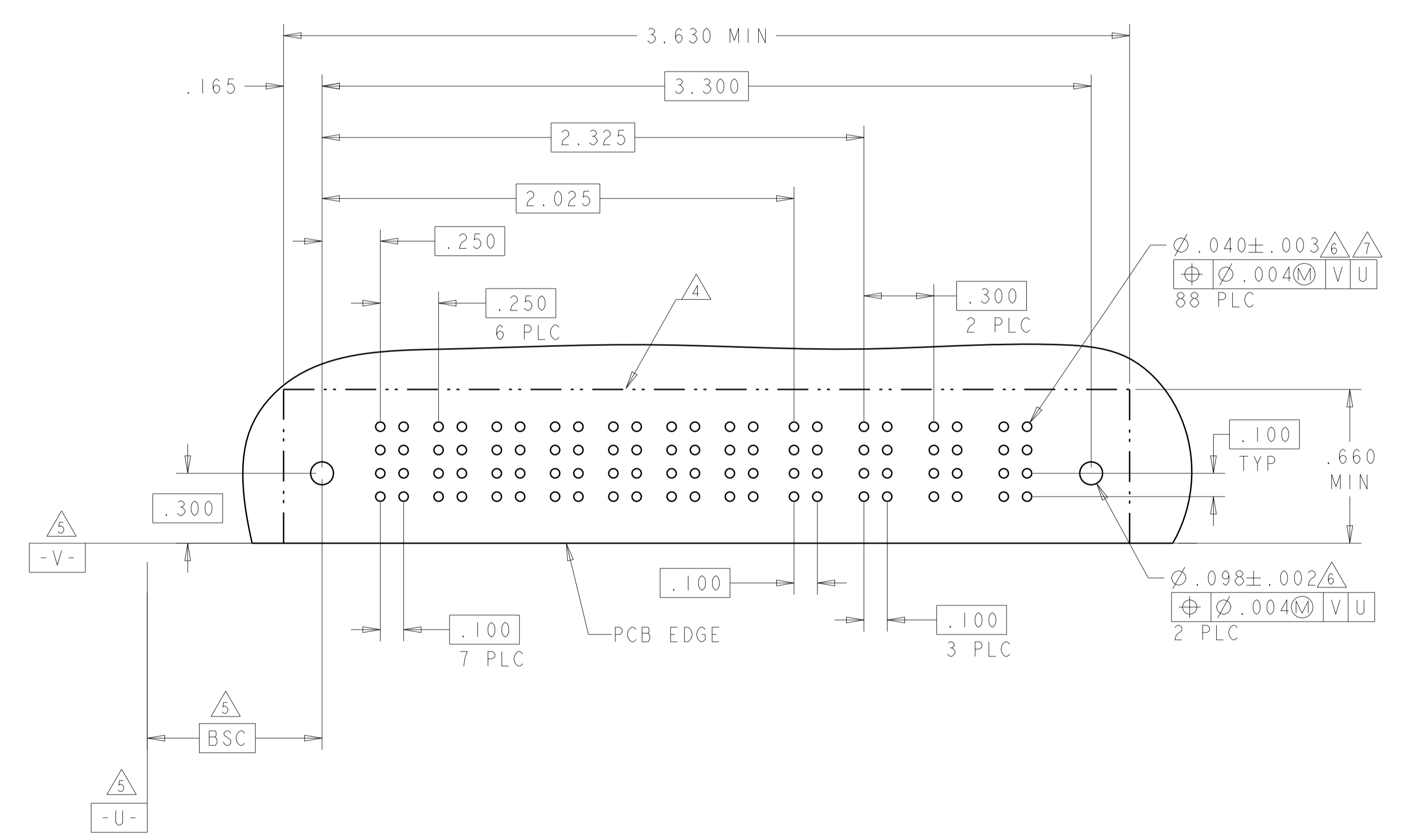
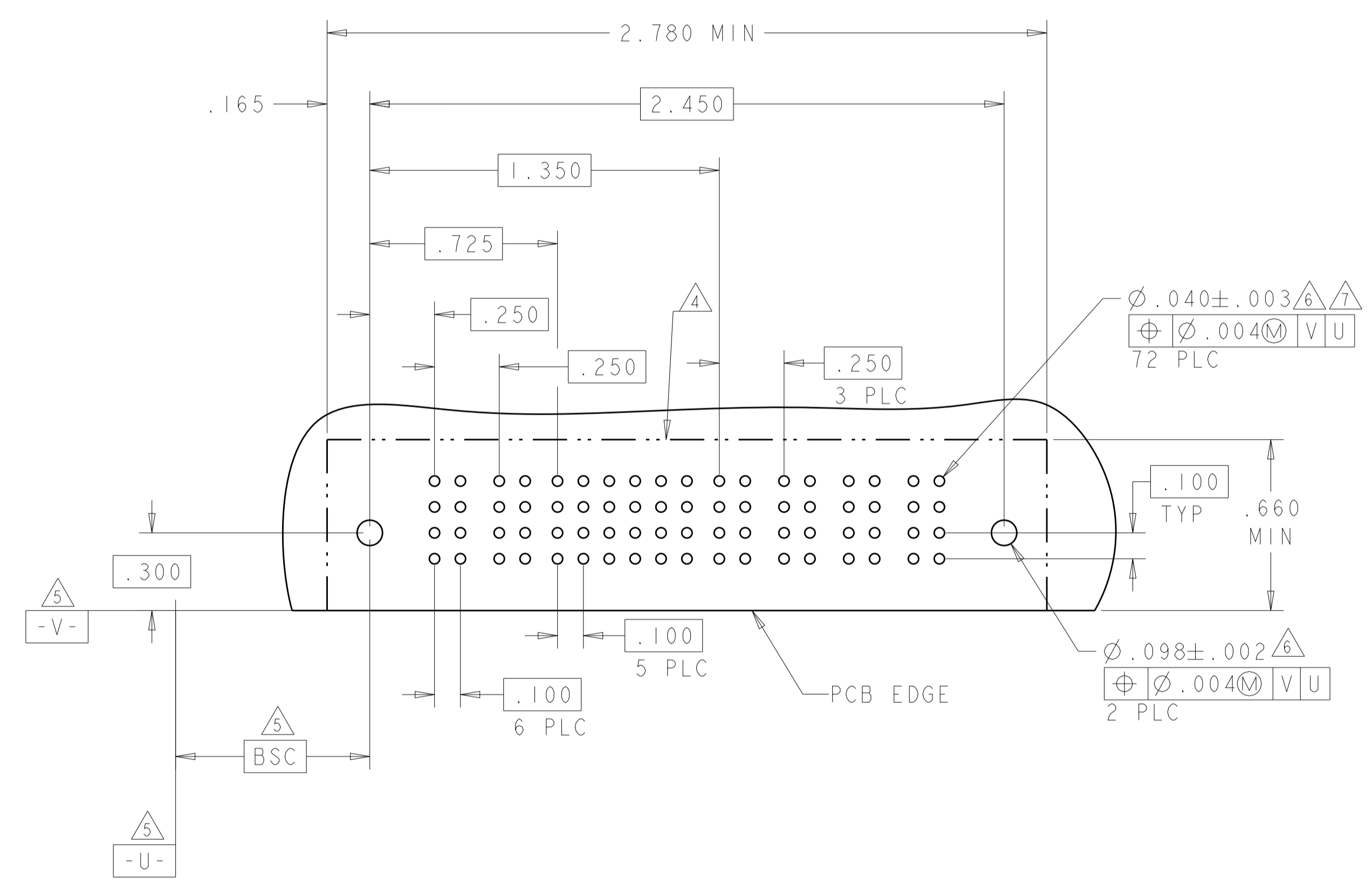
CUSTOMER DRAWING



LOC	DIST	REVISIONS			
P	LTN	DESCRIPTION	DATE	DMN	APVD
ES	00	SEE SHEET 1			

PART NUMBER	ROWS	POWER		SIGNAL						POWER				
		P1	P2	1	2	3	4	5	6	P3	P4	P5	P6	
5-6450120-3	D	PM	PM	J	J	J	J	J	J	PM	PM	PM	PM	HD
	C			K	K	K	K	K	K					
	B			N	N	N	N	N	N					
	A			S	S	S	S	S	S					
2P + 24S + 4P														

PART NUMBER	ROWS	POWER							SIGNAL		POWER		
		P1	P2	P3	P4	P5	P6	P7	1	2	P8	P9	P10
5-6450120-5	D	PM	PM	PM	PM	PM	PM	PM	J	J	PM	PM	PM
	C								K	K			
	B								N	N			
	A								S	S			
7P + 8S + 3ACP													



THIS DRAWING IS A CONTROLLED DOCUMENT.

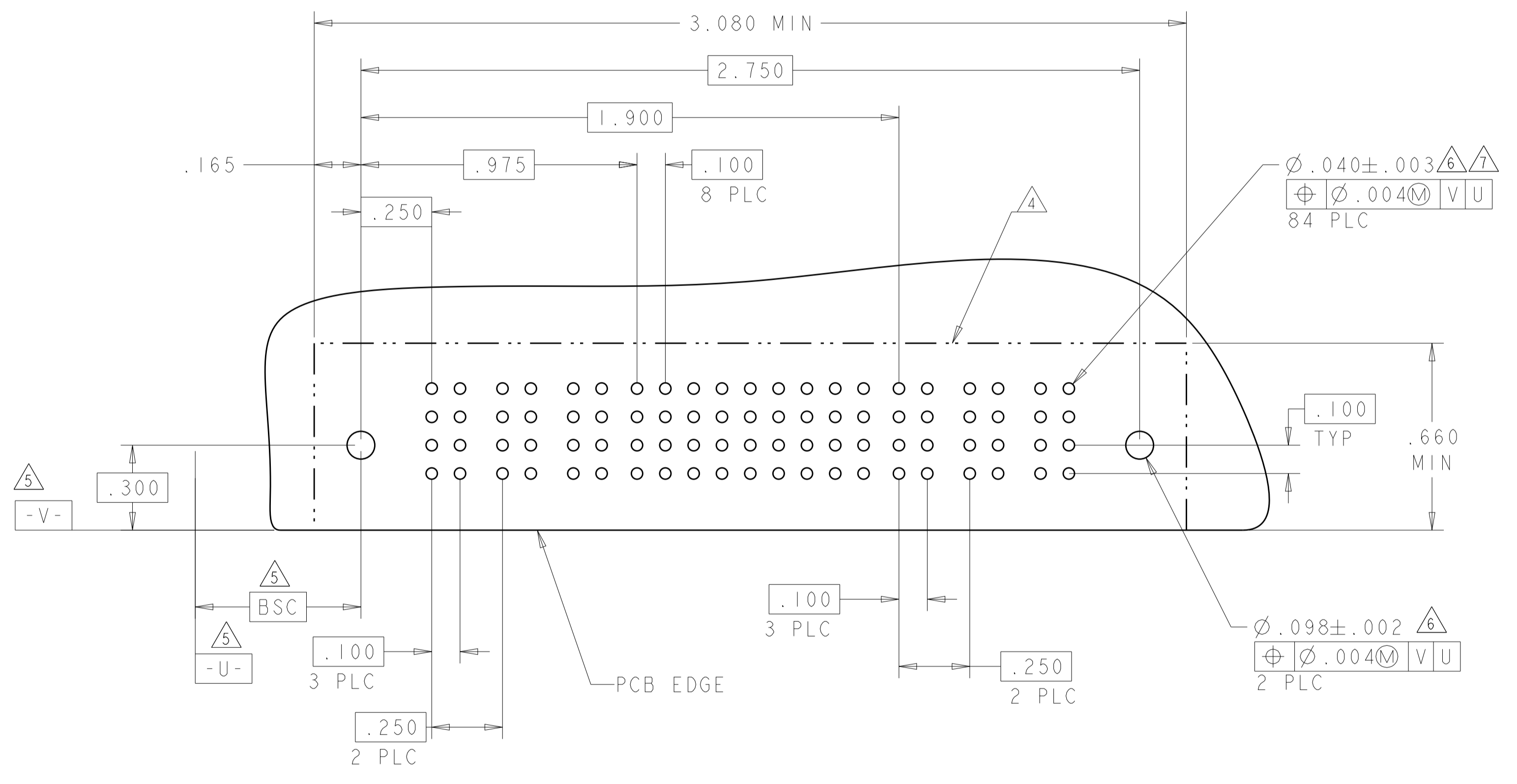
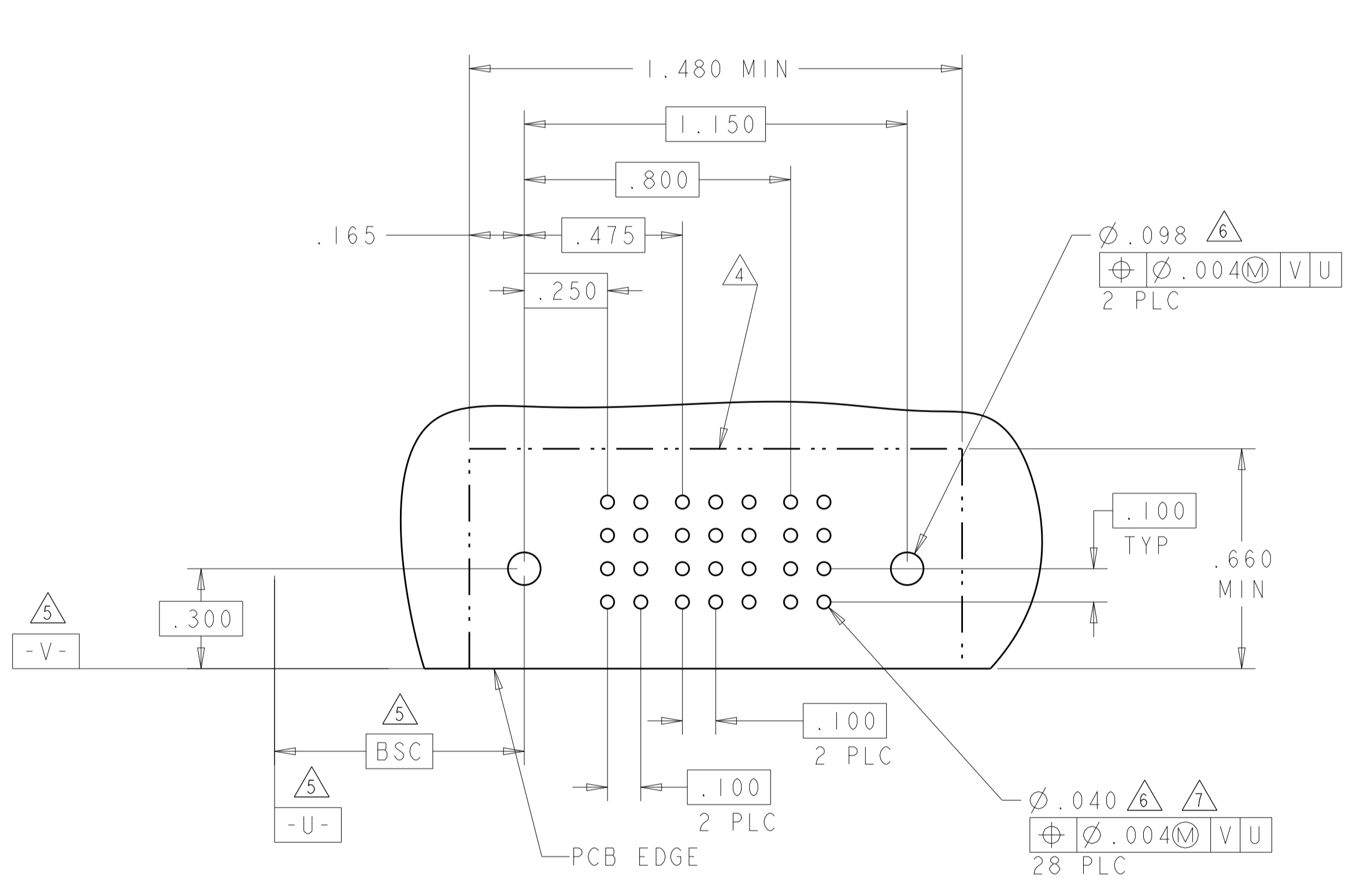
DIMENSIONS: INCHES	TOLERANCES UNLESS OTHERWISE SPECIFIED: 0 PLC ±. 1 PLC ±.01 2 PLC ±.01 3 PLC ±.005 4 PLC ±.0020 ANGLES ±.2°	FINISH	OWN: R. GRZYBOWSKI 02FEB05 CHK: M. PERCHERKE 02FEB05 APVD: M. PERCHERKE 02FEB05	NAME: RIGHT ANGLE HEADER W/GUIDES ASSEMBLY MULTI-BEAM XL
MATERIAL	FINISH	WEIGHT	PRODUCT SPEC: 108-1973 APPLICATION SPEC: 114-13038	SIZE: A1 CAGE CODE: 00779 DRAWING NO: C=6450120
CUSTOMER DRAWING			SCALE: 4:1	SHEET 17 OF 24 REV: M2

4805 (3/11)

PART NUMBER	ROWS	POWER		SIGNAL			POWER	
		P1	P2	1	2	3	P3	P4
		6-6450120-9	D C B A	PM	PM	J K N H	J K N S	E K N S
IP + 12S + IP								

PART NUMBER	ROWS	POWER			SIGNAL									POWER			
		P1	P2	P3	1	2	3	4	5	6	7	8	9	P4	P5	P6	
		5-6450120-7	D C B A	PM	PM	PM	J K N S	J K N S	J K N S	J K N S	J K N S	J K N S	J K N S	J K N S	J K N S	J K N S	PM
3P + 36S + 3P																	

PART NUMBER	ROWS	POWER		SIGNAL			POWER	
		P1	P2	1	2	3	P3	P4
		5-6450120-6	D C B A	PM	PM	J K N S	J K N S	J K N S
IP + 12S + IP								



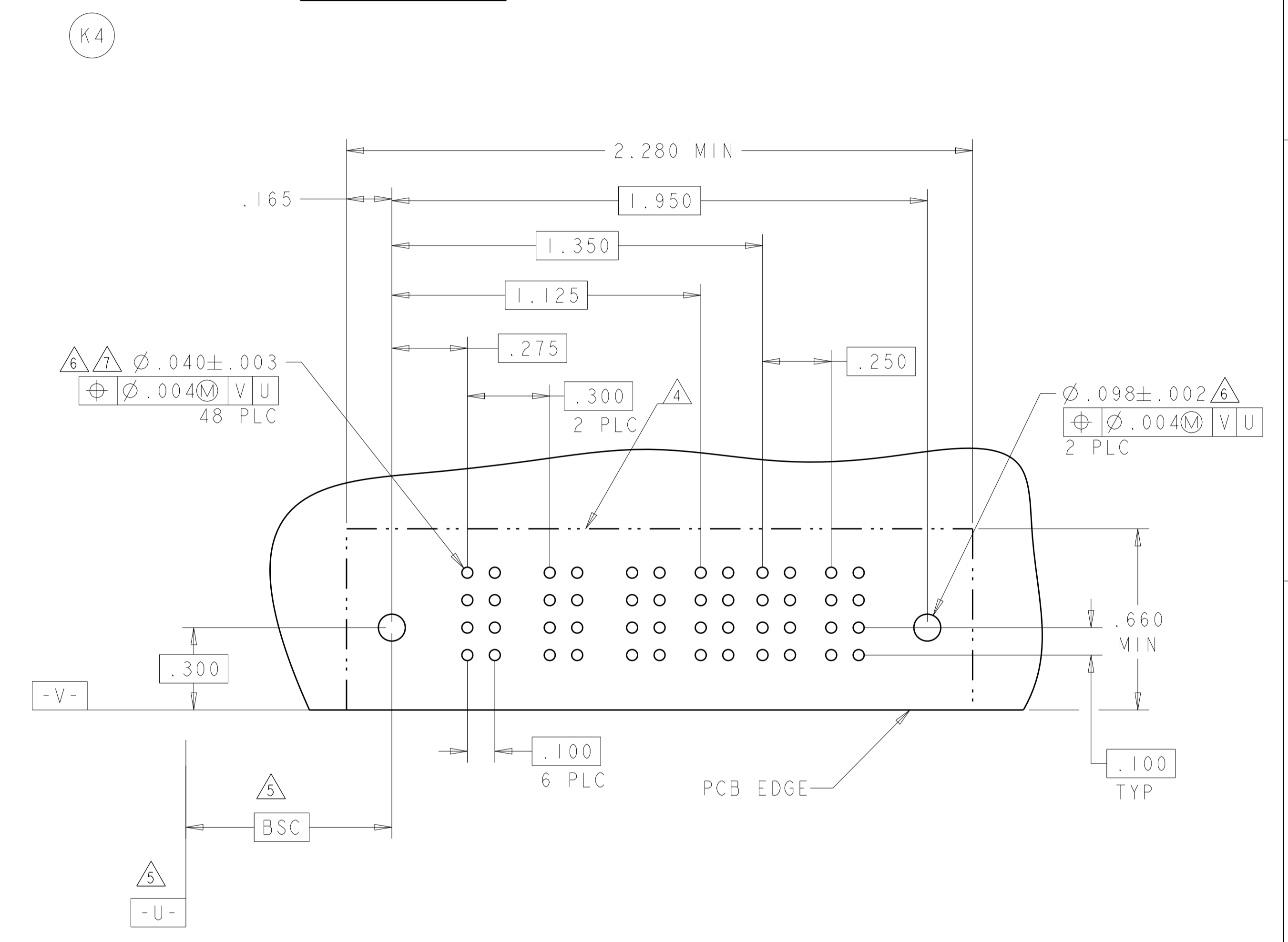
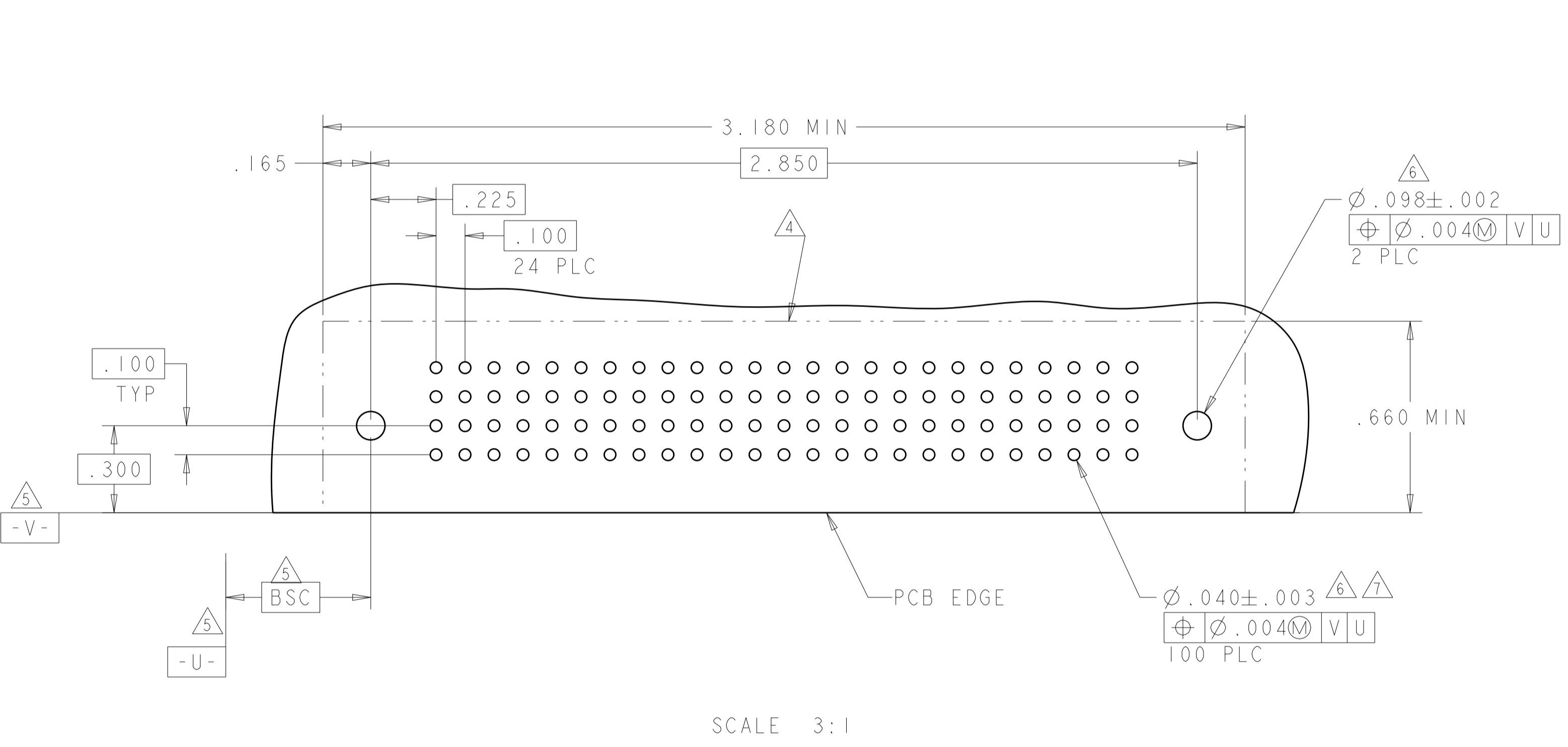
THIS DRAWING IS A CONTROLLED DOCUMENT.

DIMENSIONS: INCHES		TOLERANCES UNLESS OTHERWISE SPECIFIED: 0 PLC ±. 1 PLC ±.01 2 PLC ±.005 3 PLC ±.0020 ANGLES ±.2°		DWG R.GRZYBOWSKI 02FEB05 CHK M.PERCHEKKE 02FEB05 APVD M.PERCHEKKE 02FEB05		<b>STE</b> TE Connectivity	
MATERIAL:		FINISH:		PRODUCT SPEC: 108-1973 APPLICATION SPEC: 114-13038 WEIGHT:		NAME: RIGHT ANGLE HEADER W/GUIDES ASSEMBLY MULTI-BEAM XL SIZE: A1 CAGE CODE: 100779 DRAWING NO: C=6450120	
CUSTOMER DRAWING				SCALE: 4:1		SHEET 18 OF 24 REV M2	

LOC	DIST	REV	DATE	BY	APPV
ES	00				
REVISIONS			DESCRIPTION		
			SEE SHEET 1		

PART NUMBER	ROWS	SIGNAL																								
		1	2	3	4	5	6	7	8	9	10	11	12	13	14	15	16	17	18	19	20	21	22	23	24	25
5-6450120-8	D	J	J	J	J	J	J	J	J	J	J	J	J	J	J	J	J	J	J	J	J	J	J	J	J	J
	C	K	K	K	K	K	K	K	K	K	K	K	K	K	K	K	K	K	K	K	K	K	K	K	K	K
	B	N	N	N	N	N	N	N	N	N	N	N	N	N	N	N	N	N	N	N	N	N	N	N	N	N
A	S	S	S	S	S	S	S	S	S	S	S	S	S	S	S	S	S	S	S	S	S	S	S	S	S	
100S		HD																								

PART NUMBER	ROWS	POWER			SIGNAL		POWER		
		P1	P2	P3	1	2	P4	P5	
5-6450120-9	D	PM	PM	PM	J	J	PM	PM	
	C				K	K			
	B				N	N			
A				H	S				
3ACP + 8S + 2P		HD							



THIS DRAWING IS A CONTROLLED DOCUMENT.

DIMENSIONS:	TOLERANCES UNLESS OTHERWISE SPECIFIED:	OWN: R. GRZYBOWSKI 02FEB05	CHK: M. PERCHERKE 02FEB05	APV: M. PERCHERKE 02FEB05	NAME: R. GRZYBOWSKI
INCHES	0 PLC ±.01	PRODUCT SPEC: 108-1973	APPLICATION SPEC: 114-13038	WEIGHT: -	RESTRICTED TO: -
	4 PLC ±.005	SIZE: A1	CAGE CODE: 6450120	SCALE: 4:1	SHEET: 19 OF 24
	ANGLES ±.0020	CUSTOMER DRAWING			REV: M2

TE Connectivity

RIGHT ANGLE HEADER W/GUIDES ASSEMBLY MULTI-BEAM XL

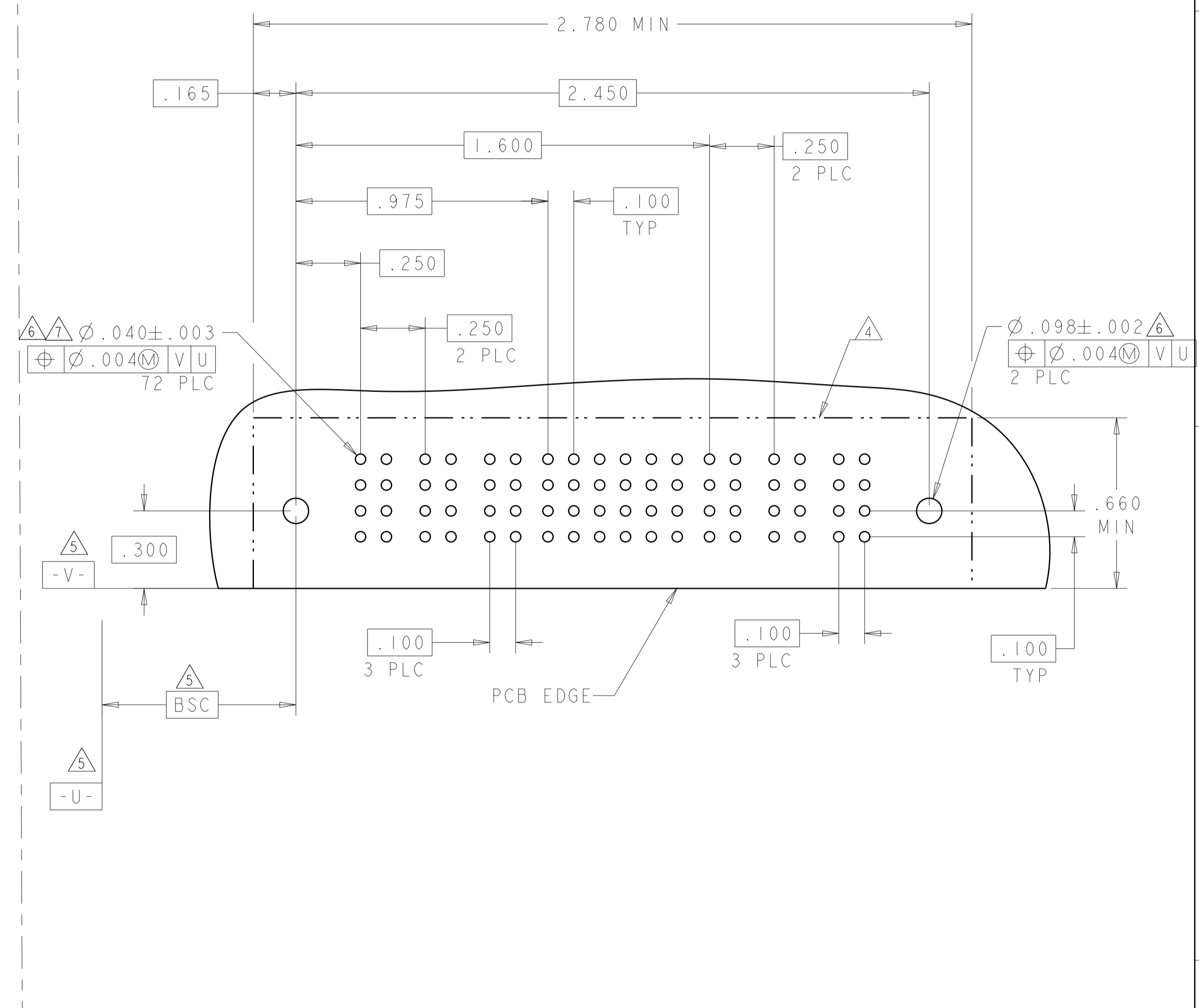
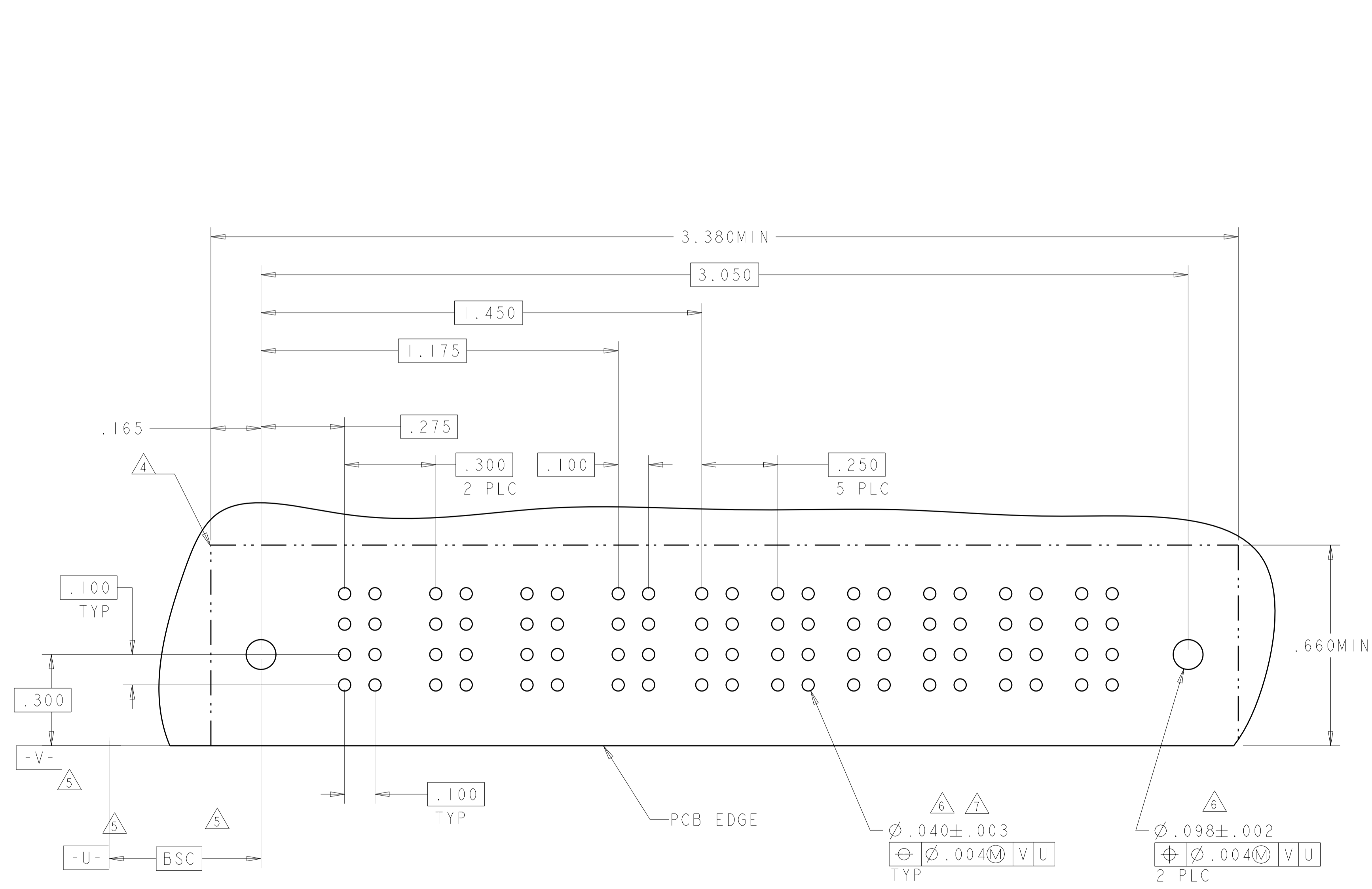
LOC		DIST		REVISIONS			
ES	00	P	LTN	DESCRIPTION	DATE	DWN	APVD
		-		SEE SHEET 1			

PART NUMBER	ROWS	POWER			SIGNAL		POWER					
		P1	P2	P3	1	2	P4	P5	P6	P7	P8	P9
6-6450120-0	D	PM	PM	PM	J	J	PM	PM	PM	PM	PM	PM
	C				K	K						
	B				N	N						
	A				H	S						

3ACP + 8S + 6P

PART NUMBER	ROWS	POWER			SIGNAL						POWER		
		P1	P2	P3	1	2	3	4	5	6	P4	P5	P6
6-6450120-1	D	PM	PM	PM	J	J	J	J	J	J	PM	PM	PM
	C				K	K	F	F	K	K			
	B				N	N	G	G	N	N			
	A				S	S	S	S	S	S			

3P + 24S + 3P



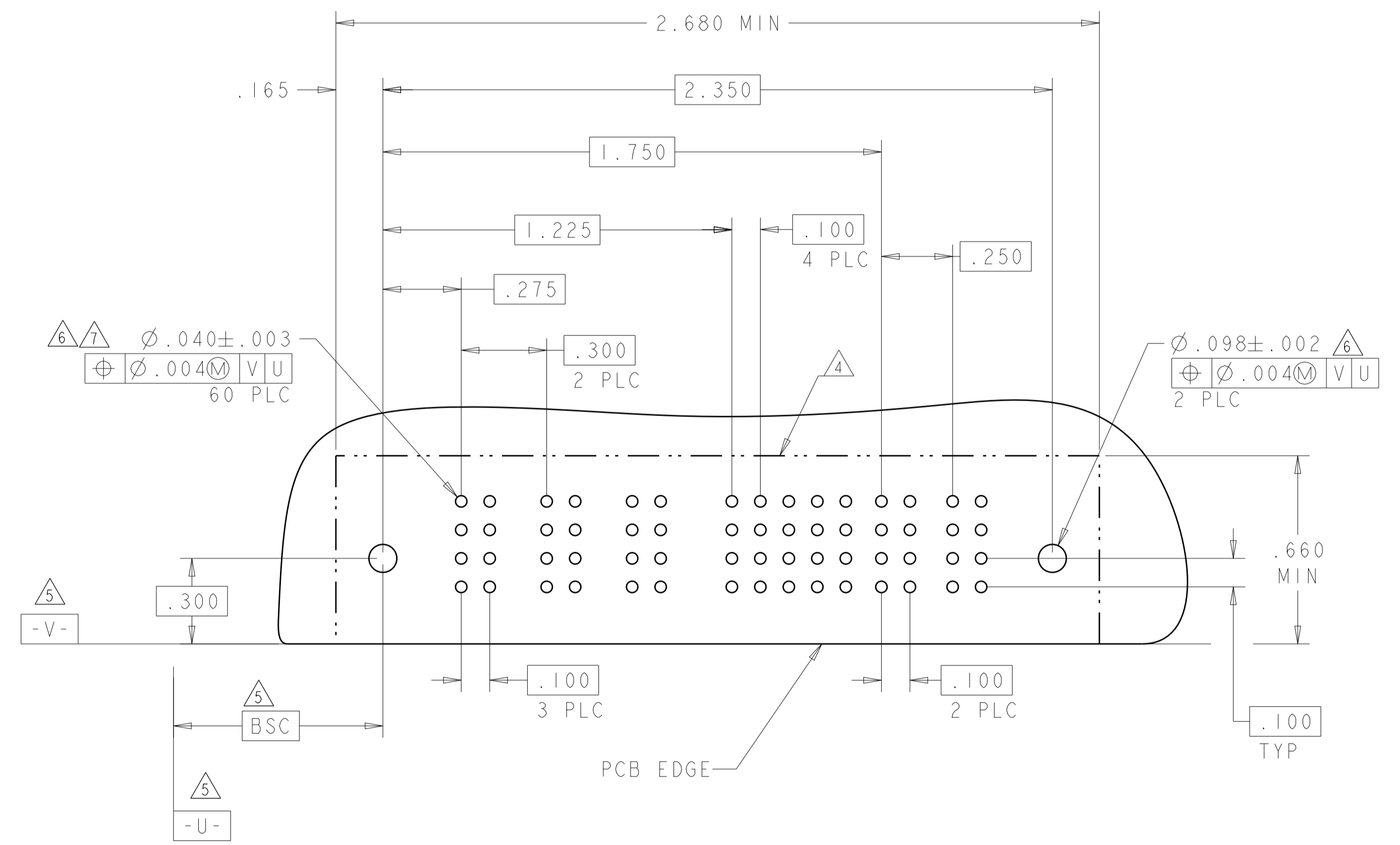
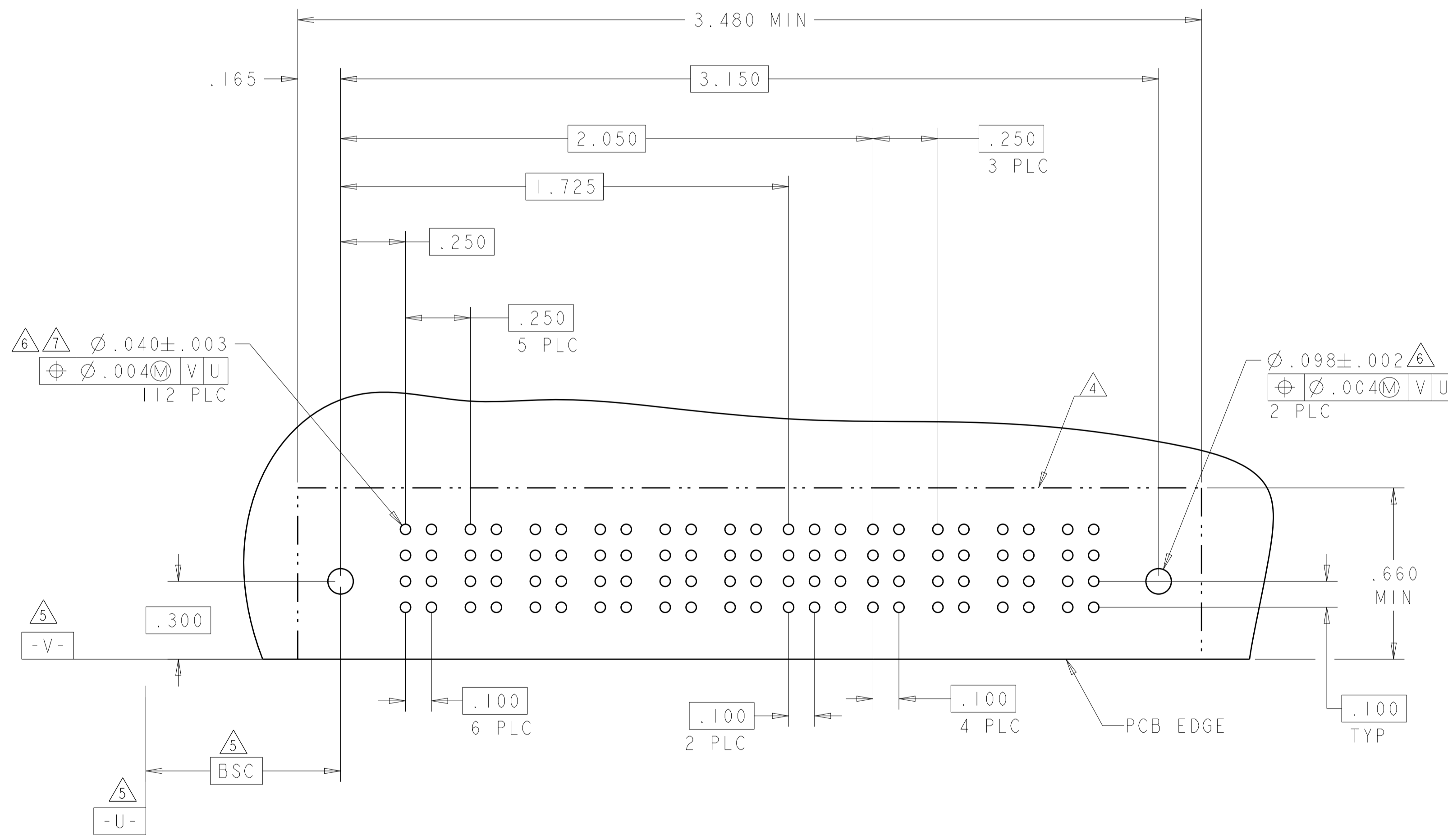
THIS DRAWING IS A CONTROLLED DOCUMENT.		DWN: R. GRZYBOWSKI 02FEB05	TE Connectivity
DIMENSIONS: INCHES		CHK: M. PERCHERKE 02FEB05	
TOLERANCES UNLESS OTHERWISE SPECIFIED:		APVD: M. PERCHERKE 02FEB05	NAME: RIGHT ANGLE HEADER W/GUIDES ASSEMBLY MULTI-BEAM XL
0 PLC ± .01 1 PLC ± .01 2 PLC ± .01 3 PLC ± .005 4 PLC ± .002 ANGLES ± .020		PRODUCT SPEC: 108-1973	SIZE: A
MATERIAL: FINISH:		APPLICATION SPEC: 114-13038	CAGE CODE: 100779
		WEIGHT:	DRAWING NO: 6450120
		CUSTOMER DRAWING	SCALE: 4:1 SHEET 20 OF 24 REV: M2

LOC	DIST	REV	DATE	BY	APPD
ES	00				
DESCRIPTION			DATE	BY	APPD
SEE SHEET 1					

PART NUMBER	ROWS	POWER						SIGNAL			POWER			
		P1	P2	P3	P4	P5	P6	1	2	3	P7	P8	P9	P10
6-6450120-4	D C B A	PM	PM	PM	PM	PM	PM	J	J	E	PM	PM	PM	PM
								K	K	F				
								N	N	N				
6P + 12S + 4P		HD		HD										

PART NUMBER	ROWS	POWER			SIGNAL						POWER	
		P1	P2	P3	1	2	3	4	5	6	P4	P5
6-6450120-5	D C B A	PM	PM	PM	J	J	J	J	J	J	PM	PM
					K	K	K	K	K			
					N	N	N	N	N			
3ACP + 24S + 2P		HD		HD								

NO CONTACTS LOADED



THIS DRAWING IS A CONTROLLED DOCUMENT.		OWN: R. GRZYBOWSKI 02FEB05	 TE Connectivity
DIMENSIONS: INCHES		CHK: M. PERCHERKE 02FEB05	
TOLERANCES UNLESS OTHERWISE SPECIFIED:		APVD: M. PERCHERKE 02FEB05	NAME: RIGHT ANGLE HEADER W/GUIDES ASSEMBLY MULTI-BEAM XL
0 PLC ± .01	1 PLC ± .01	PRODUCT SPEC: 108-1973	SIZE: A100779
2 PLC ± .01	3 PLC ± .005	APPLICATION SPEC: 114-13038	CAGE CODE: C=6450120
4 PLC ± .002	ANGLES ± .2°	WEIGHT: -	SCALE: 4:1
MATERIAL: -	FINISH: -	CUSTOMER DRAWING	SHEET 21 OF 24

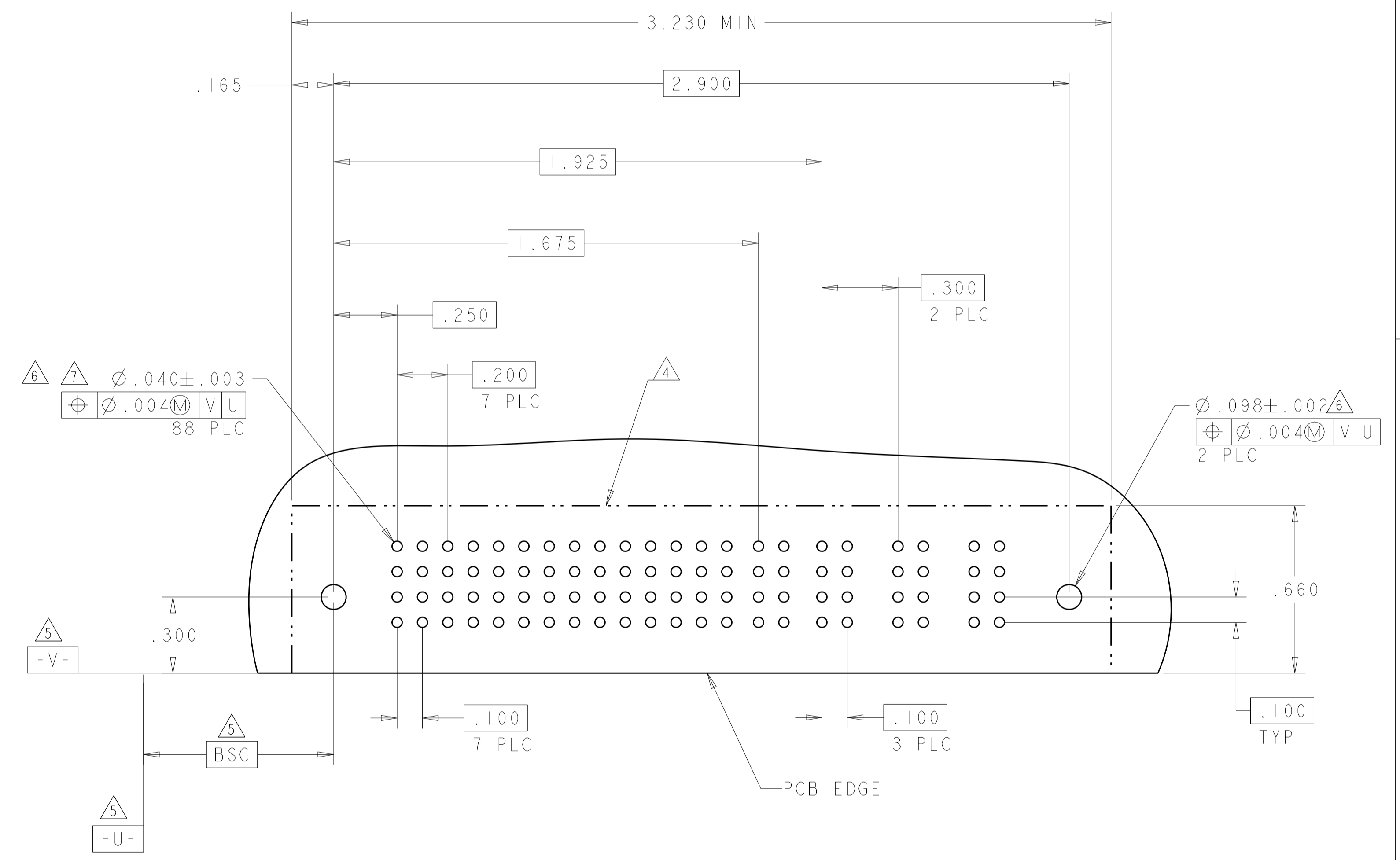
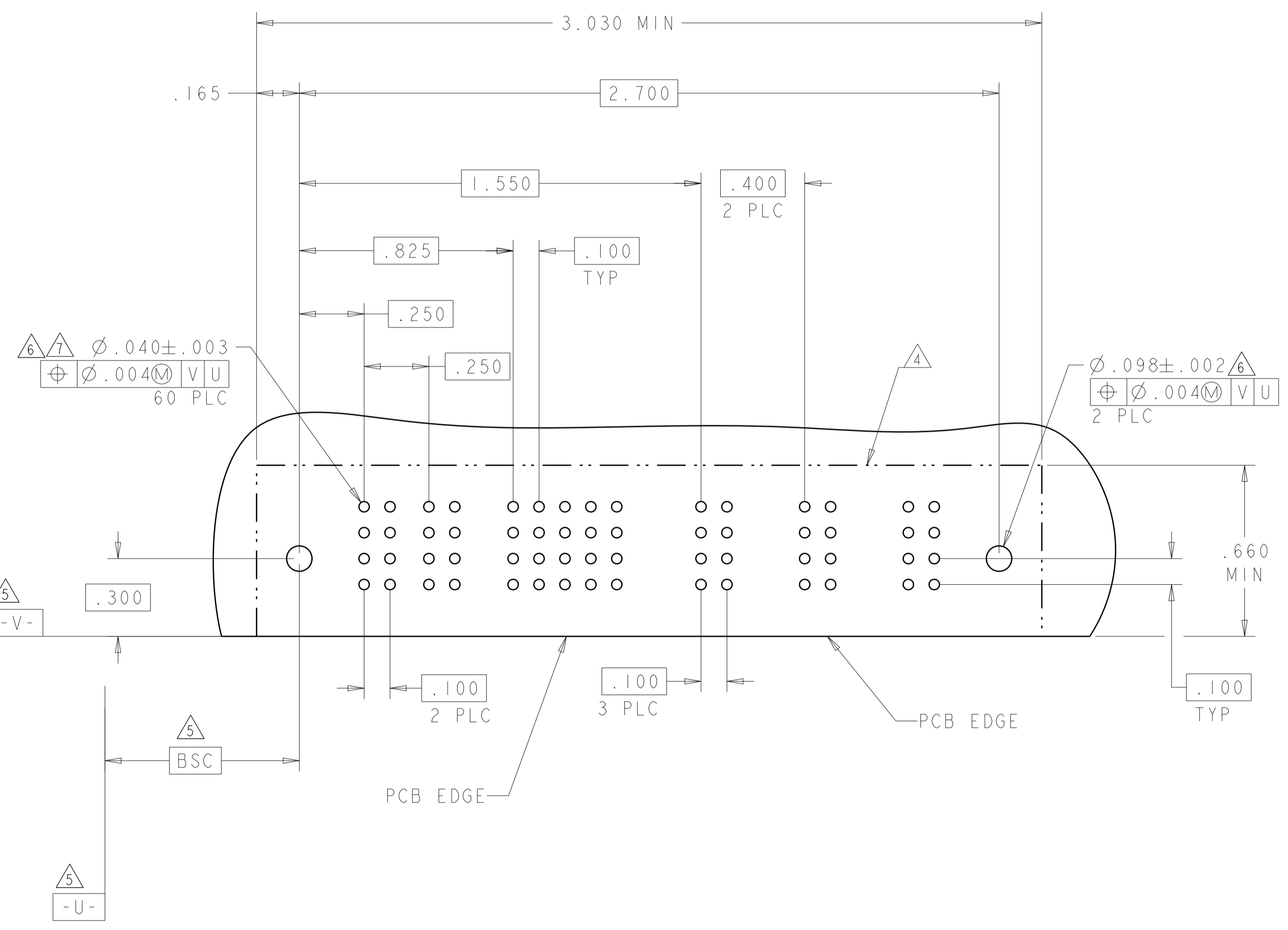
LOC	DIST	REV	DATE	BY	APPR
ES	00				
REVISIONS			DESCRIPTION	DATE	BY
			SEE SHEET 1		

PART NUMBER	ROWS	POWER		SIGNAL						POWER					
		P1	P2	1	2	3	4	5	6	P3	P4	P5	P6	P7	P8
6-6450120-6	D	PM	PM	J	J	J	J	J							
	C			K	K	K	K	K							
	B			N	N	N	N	N							
A	S	S	S	S	S										
2P + 24S + 6P															

NO CONTACTS LOADED

PART NUMBER	ROWS	POWER							SIGNAL		POWER		
		P1	P2	P3	P4	P5	P6	P7	1	2	P8	P9	P10
6-6450120-7	D	PM	PM	PM	PM	PM	PM	PM	E	E	PM	PM	PM
	C								F	F			
	B								G	G			
	A								H	H			
7HDP + 8S + 3ACP													

(L5)



THIS DRAWING IS A CONTROLLED DOCUMENT.

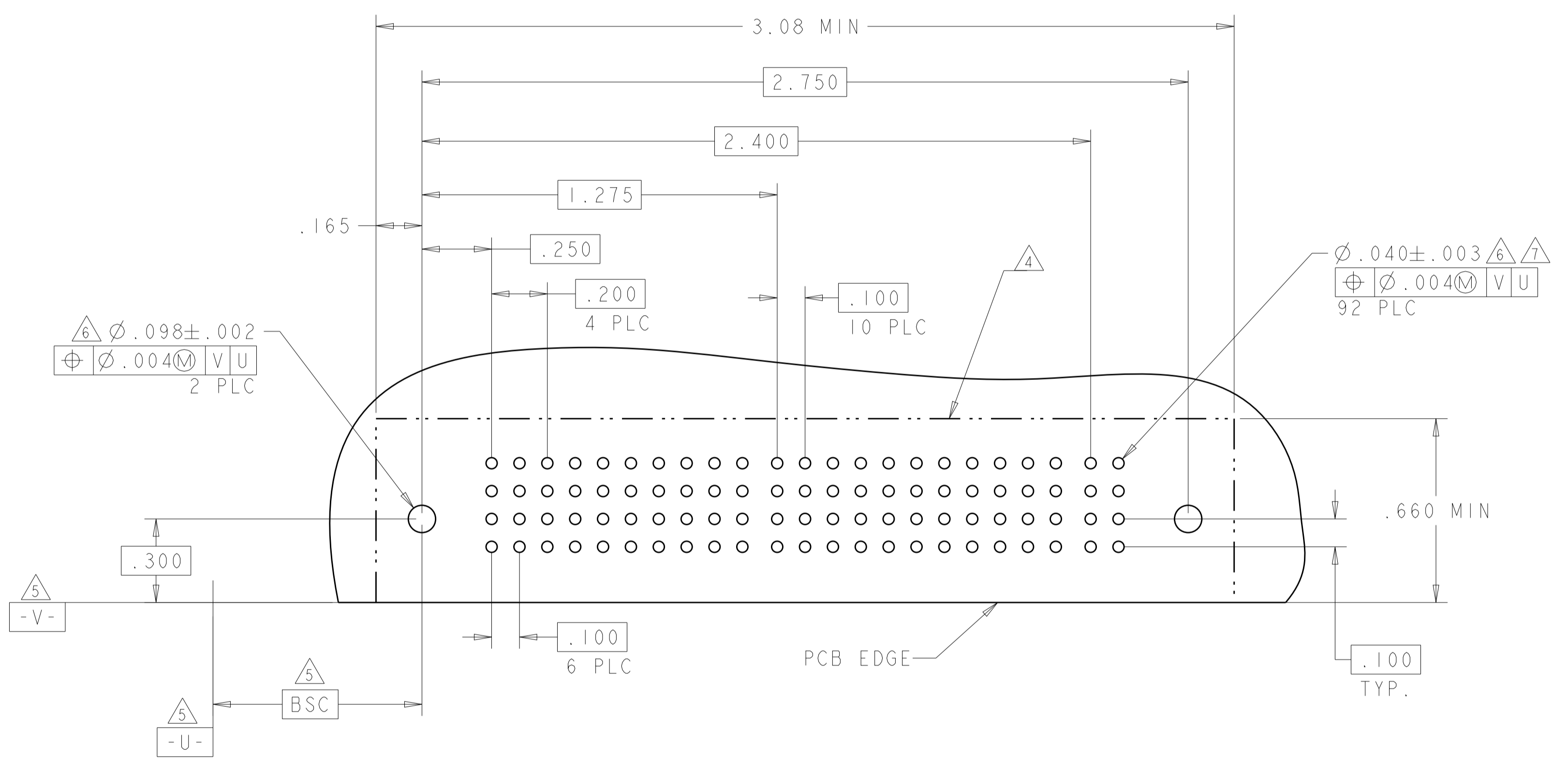
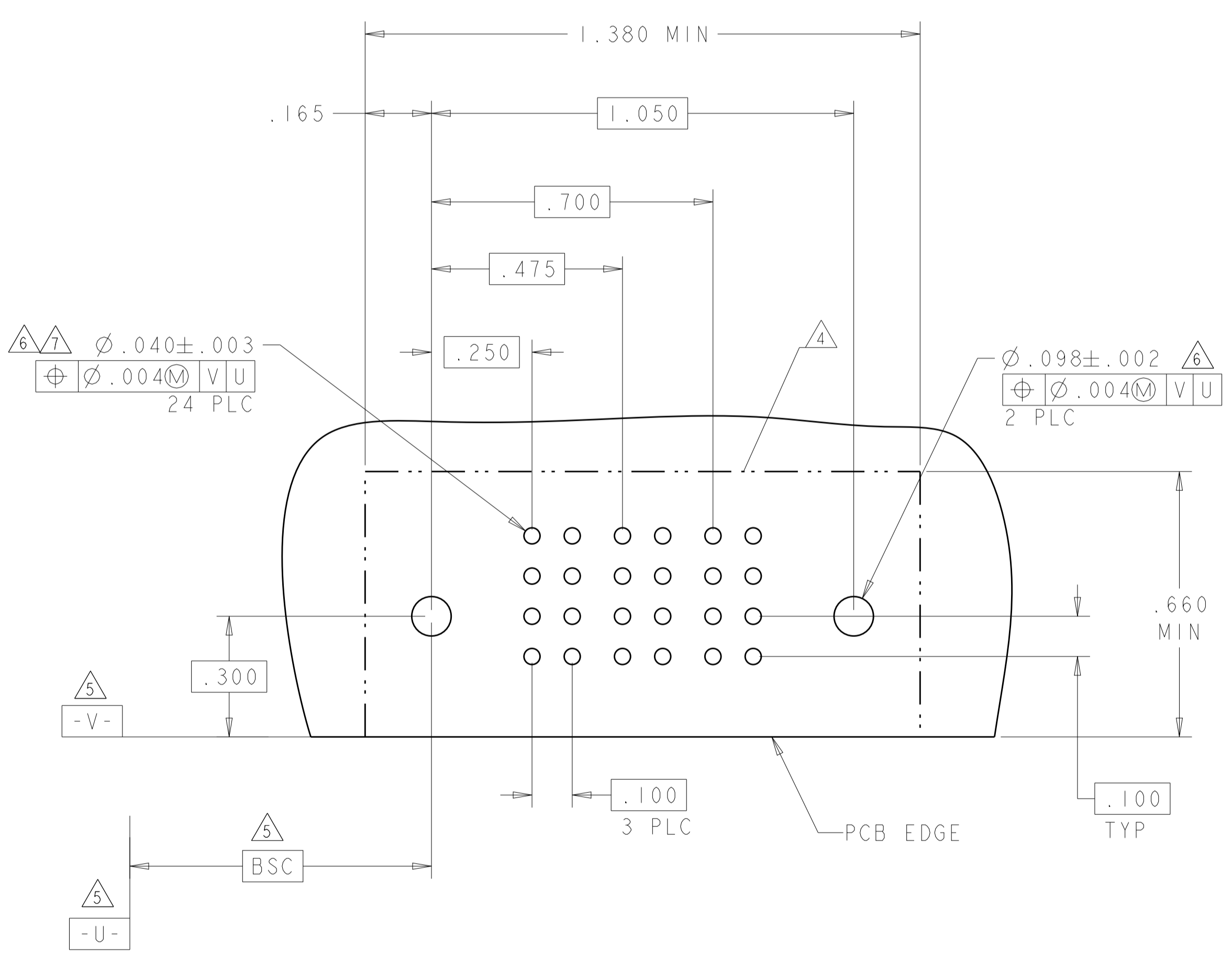
DIMENSIONS:	TOLERANCES UNLESS OTHERWISE SPECIFIED:	OWN: R. GRZYBOWSKI 02FEB05	CHK: M. PERCHERKE 02FEB05	APVD: M. PERCHERKE 02FEB05	NAME: RIGHT ANGLE HEADER W/GUIDES ASSEMBLY MULTI-BEAM XL
INCHES	0 PLC ±.01 1 PLC ±.01 2 PLC ±.01 3 PLC ±.005 4 PLC ±.002 ANGLES ±.020	PRODUCT SPEC: 108-1973	APPLICATION SPEC: 114-13038	WEIGHT: -	SIZE: A1
MATERIAL: -	FINISH: -	CAGE CODE: -	DRAWING NO: -	SCALE: 4:1	SHEET 22 OF 24
CUSTOMER DRAWING			REV: M2		

STE TE Connectivity

LOC	DIST	REVISIONS			
P	LTN	DESCRIPTION	DATE	DMN	APVD
ES	00	SEE SHEET 1	-	-	-

PART NUMBER	ROWS	POWER	SIGNAL		POWER
			P1	P2	
6-6450120-8	D C B A	PM	J	J	PM
			K	K	
			N	N	
			S	S	
IP + 8S + IP		HD		HD	

PART NUMBER	ROWS	POWER					SIGNAL											POWER	
		P1	P2	P3	P4	P5	1	2	3	4	5	6	7	8	9	10	11		P6
7-6450120-0	D C B A	PM	PM	PM	PM	J	J	J	J	J	J	J	J	J	J	J	J	J	PM
						G	N	N	N	N	N	K	F	F	F	F	F		
						H	H	H	H	H	H	S	S	H	H	H	H	H	
						5P + 44S + IP											HD		



THIS DRAWING IS A CONTROLLED DOCUMENT.

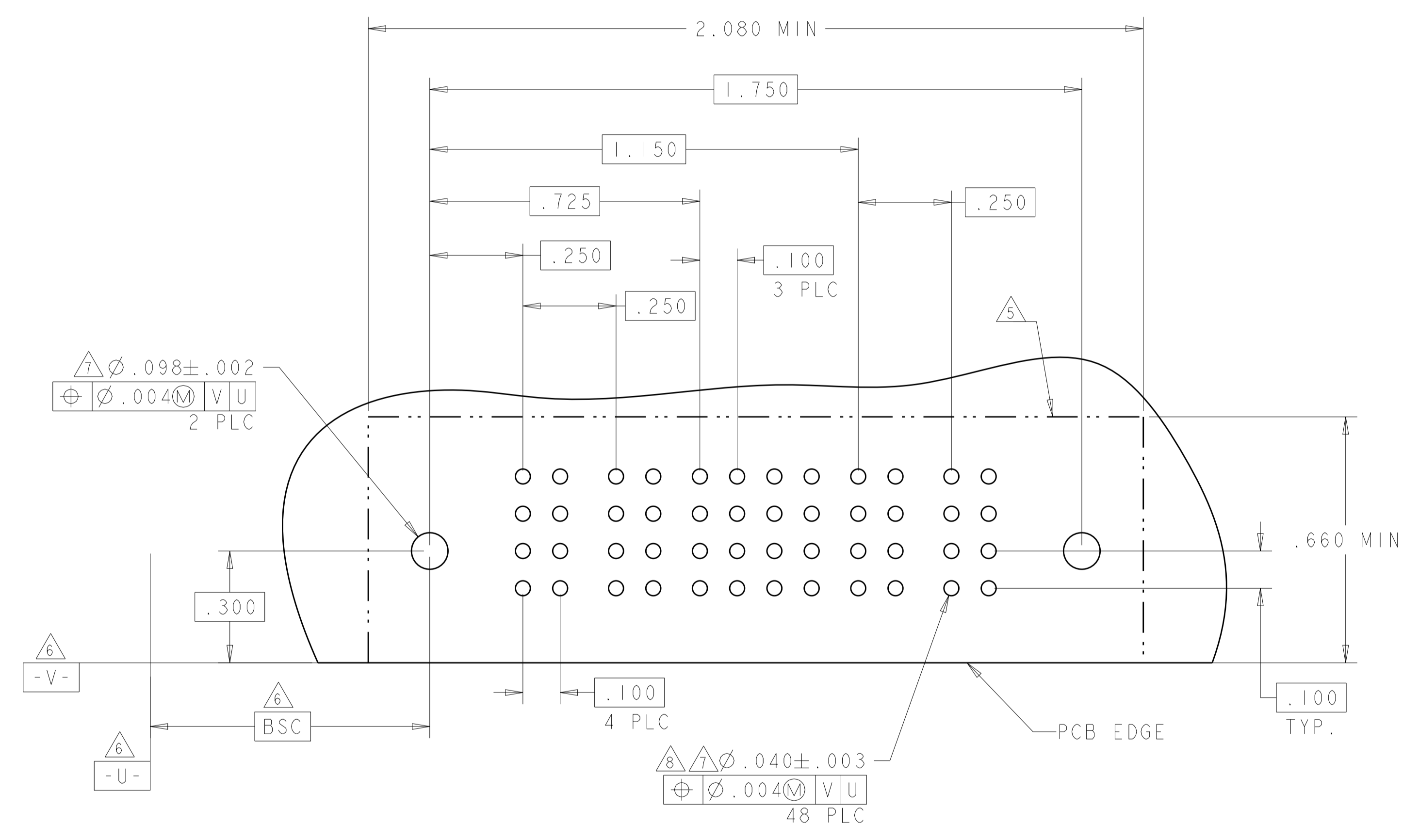
DIMENSIONS: INCHES	TOLERANCES UNLESS OTHERWISE SPECIFIED: 0 PLC ±. 2 PLC ±.01 3 PLC ±.005 4 PLC ±.0020 ANGLES ±.7°	FINISH	FINISH
-----------------------	--	--------	--------

DMN R. GRZYBOWSKI	02FEB05	CHK M. PERCHERKE	02FEB05
APVD M. PERCHERKE	02FEB05	NAME	RIGHT ANGLE HEADER W/GUIDES ASSEMBLY MULTI-BEAM XL
PRODUCT SPEC	108-1973	APPLICATION SPEC	114-13038
SIZE	CAGE CODE	DRAWING NO	RESTRICTED TO
A1	00779	C=6450120	
CUSTOMER DRAWING	SCALE	4:1	SHEET 23 OF 24 REV M2

STE TE Connectivity

LOC	DIST	REVISIONS			
P	LTN	DESCRIPTION	DATE	DMN	APVD
ES	00	- SEE SHEET 1	-	-	-

PART NUMBER	ROWS	POWER		SIGNAL				POWER	
		P1	P2	1	2	3	4	P3	P4
7-6450120-1	D	PM	PM	E	E	E	E	PM	PM
	C			F	F	F	F		
	B			N	N	N	N		
	A			H	H	H	H		
2P + 16S + 2P		HD	HD					HD	HD



THIS DRAWING IS A CONTROLLED DOCUMENT.

DIMENSIONS: INCHES	TOLERANCES UNLESS OTHERWISE SPECIFIED: 0 PLC ±. 1 PLC ±. 2 PLC ±.01 3 PLC ±.005 4 PLC ±.0020 ANGLES ±7°	DWN: R. GRZYBOWSKI 02FEB05 CHK: M. PERCHERKE 02FEB05 APVD: M. PERCHERKE 02FEB05 PRODUCT SPEC: 108-1973 APPLICATION SPEC: 114-13038 WEIGHT: - CUSTOMER DRAWING	<b>STE</b> TE Connectivity NAME: RIGHT ANGLE HEADER W/GUIDES ASSEMBLY MULTI-BEAM XL SIZE: A1 CAGE CODE: 00779 DRAWING NO: 6450120 RESTRICTED TO: - SCALE: 4:1 SHEET 24 OF 24 REV: M2
-----------------------	---	---	--