

CKCL44C0G1H100F085AA

TDK Item Description : CKCL44C0G1H100FT***

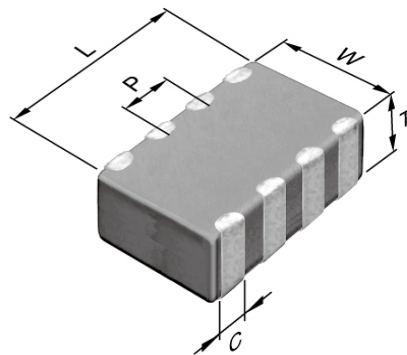


Application & Main Feature

Commercial Grade (4 in 1 Array)

Series

CKCL44(2012) [EIA CC0805]



Dimensions

L 2.00mm +/-0.15mm
 W 1.25mm +/-0.15mm
 T 0.85mm +/-0.15mm
 C 0.25mm Nom.
 P 0.50mm Nom.

Temperature Characteristic

C0G (-55 to 125 degC 0+/-30ppm/degC)

Rated Voltage

1H (50Vdc)

Capacitance

10pF

Capacitance Tolerance

F (+/-1pF)

Q Factor

600 Min.

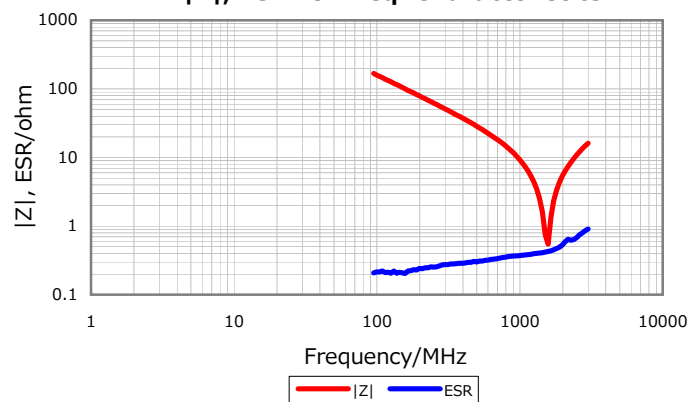
Insulation Resistance

10Gohm Min.

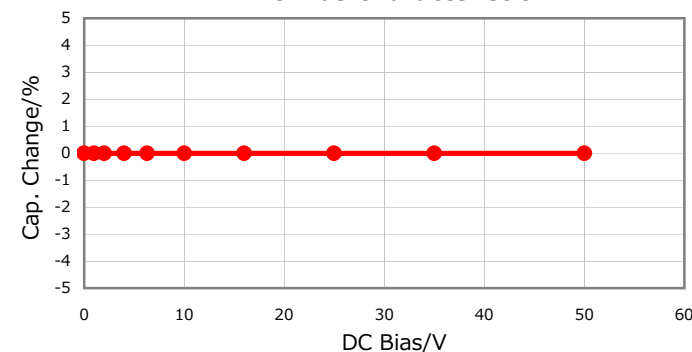
AEC-Q200

Not Applicable

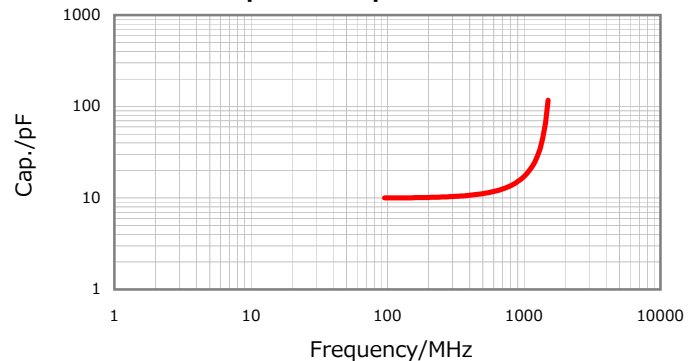
|Z|, ESR vs. Freq. Characteristics



DC Bias Characteristic



Cap. vs. Freq. Characteristic



Temperature Characteristics

